



FROM THE SOURCE handcrafted
furniture

ZIGGY BAR STOOL

- Ziggy is a collection of seating with a solid wood seat and back, and solid welded metal frame. Plastic glides added for floor protection.
- Indoor clear finish.
- Also available in dining and counter versions.
- Stackable.
- All wood is sustainably sourced from local plantations. Hand made in Central Java, Indonesia.

WIDTH: 18 in
DEPTH: 20 in
SEAT HEIGHT: 29 in
TOTAL HEIGHT: 41 in



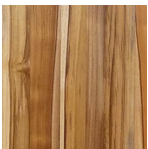
2023 Finishes:

Seat Options:

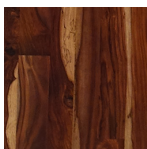
- Teak Natural (TN) or Tali Natural (LN)

Frame Options:

- Stainless Steel (EX) or Clear Iron (BC)



TN



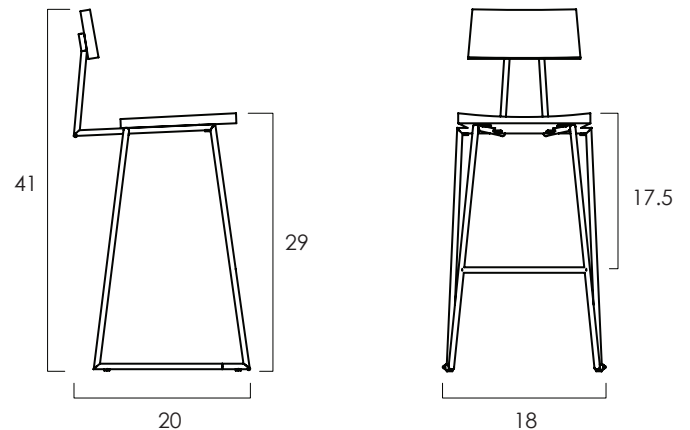
LN



BC



EX



2023
sales@ftsny.com
www.ftsny.com