



FROM THE SOURCE handcrafted
furniture

UMBRELLA DINING BASE

- This solid-welded pedestal base is constructed from round tubing. It is equipped with adjustable levelers. Its central column diameter is 2 in.
- Available in indoor finishes (clear and white) and in outdoor stainless version.
- Recommended for top sizes 24 - 36 in.
- Rectangular Umbrella base is also available in the collection for larger tops.
- Hand made in Central Java, Indonesia.

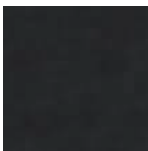
WIDTH: 21 in
HEIGHT: 28 in
DIAGONAL WIDTH: 29 in
MOUNTING PLATE: 8 x 8 in

2022 Finishes:

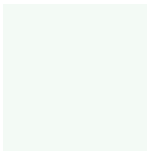
- Clear Iron (RC)
- Stainless Steel Brushed, Outdoor Grade (EX)
- White Powdercoated Iron (RW)
- Stainless Steel Black Powdercoated, Outdoor Grade (EB)



EX



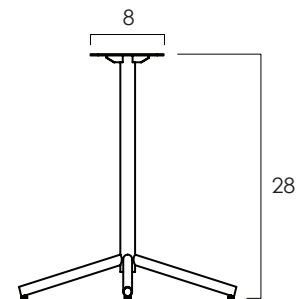
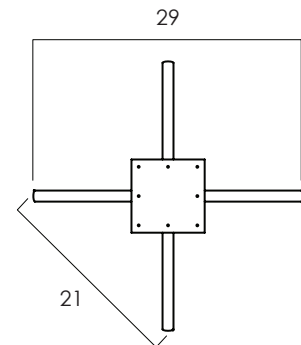
RC



RW



EB



2022
sales@ftsny.com
www.ftsny.com