



FROM THE SOURCE handcrafted
furniture

TRIPOD SIDE / COFFEE TABLE WITH GLASS TOP

- Tripod base showcases intricate hand made joinery pattern under the glass top. The base comes knock down in three parts for transportation. assembly required.
- Bases are equipped with glides and feature turned legs and exposed wedge joinery.
- Clear finish for indoor use. Top is 0.5 in thick glass.
- Side table base can hold a top 16-24 in diameter. Coffee table base can hold a top 36 - 42 in diameter. Top and base can be sold separately.
- All wood is sustainably sourced from local plantations. Hand made in Central Java, Indonesia.

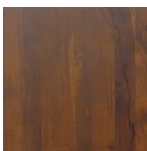
SIDE TABLE
LEGS WIDTH: 14 in
MOUNTING PLATE: 15.5 in
TOP DIAMETER: 18 in
HEIGHT: 22 in

COFFEE TABLE
LEGS WIDTH: 24 in
MOUNTING PLATE: 26.5 in
TOP DIAMETER: 36 / 42 in
HEIGHT: 16.5 in

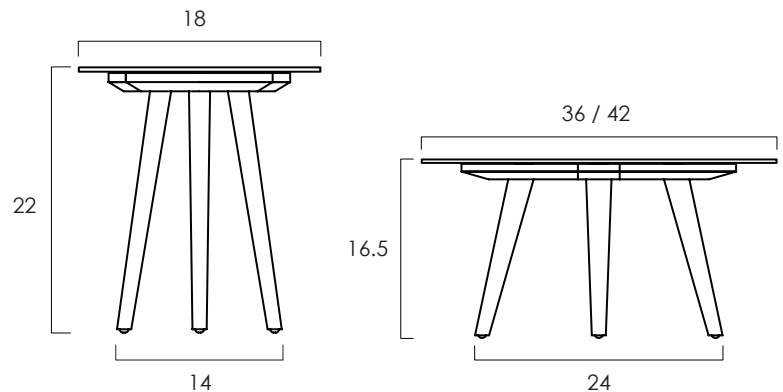
2022 Finishes:
- Teak Natural (TN)
- Teak Tinted (TT)



TN



TT



2022
sales@ftsny.com
www.ftsny.com