



FROM THE SOURCE handcrafted  
furniture

## TEE DINING BASE

- Tee base is a versatile solution for any space, especially when achieving maximum leg room is required. The bases can be arranged at table's ends as well as abutted at the center to create a pedestal profile for a round or racetrack-shaped tabletop.

- Bases are equipped with adjustable levelers and available in iron and stainless steel. Made with hollow metal tubing. Indoor use only.

- Other sizes for different applications are available.

- Recommended top sizes are from 32 x 60 to 39 x 96 in or 48-52 in round. Not suitable to support oversized or slab tops.

- Hand made in Central Java, Indonesia.

WIDTH: 24 in  
DEPTH: 12 in  
HEIGHT: 28 in

2022 Finishes:

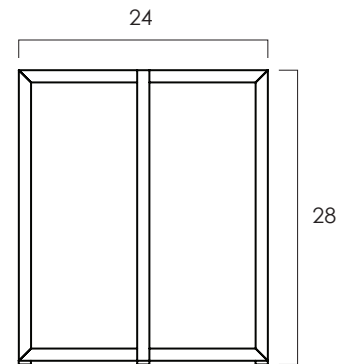
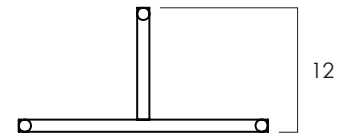
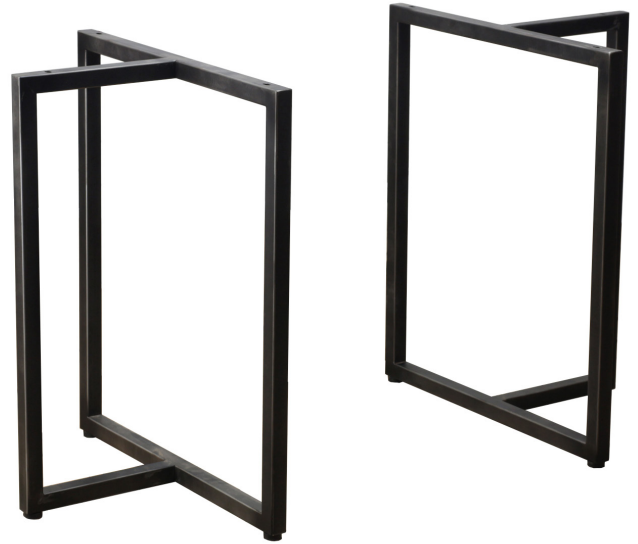
- Clear Iron (RC)
- Stainless Steel Brushed (EX)



RC



EX



2022  
sales@ftsny.com  
www.ftsny.com