



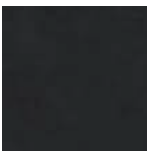
FROM THE SOURCE handcrafted
furniture

TEE NARROW / WIDE BAR BASE

- Tee base is a versatile solution for any space, especially when achieving maximum leg room is required.
- These bases are equipped with adjustable levelers and available in iron and stainless steel. Available in two width. Indoor use only.
- Made with hollow metal tubing.
- Not suitable to support oversized or slab tops. Recommended table width is 20-28 in for a 14-inch base and 30-36 in for a 20-inch base.
- Also available in dining, coffee table and counter heights.
- Hand made in Central Java, Indonesia.

Narrow Bar
WIDTH: 14 in
DEPTH: 10 in
Wide Bar
WIDTH: 20 in
DEPTH: 10 in
HEIGHT: 39 in

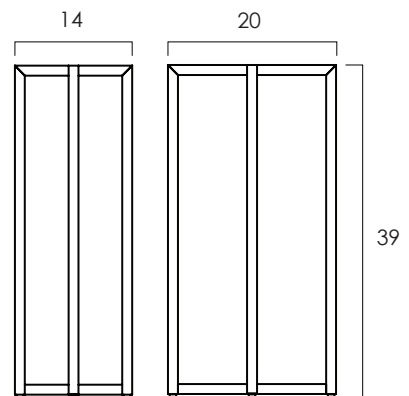
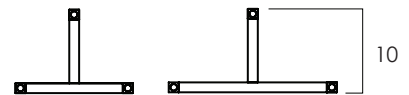
- 2022 Finishes:
- Clear Iron (RC)
 - Stainless Steel Brushed (EX)



RC



EX



2022
sales@ftsny.com
www.ftsny.com