



FROM THE SOURCE handcrafted  
furniture

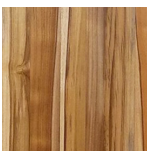
## STITCH DRESSER 2 OVER 2 DRAWERS

- Stitch is a storage collection with traditional dovetail joinery exposed on the drawer fronts. Cutouts as drawer pulls for a clean look.
- Clear finish.
- Other sizes are available in the collection.
- Drawers sit on hardwood glides and have wood stoppers that prevent them from falling out.
- This unit must be secured to the wall to prevent tipping. Anti-tip kits are available for purchase.
- All wood is sustainably sourced from local plantations. Hand made in Central Java, Indonesia.

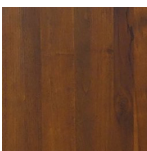
WIDTH: 40 in  
DEPTH: 20 in  
HEIGHT: 33.5 in



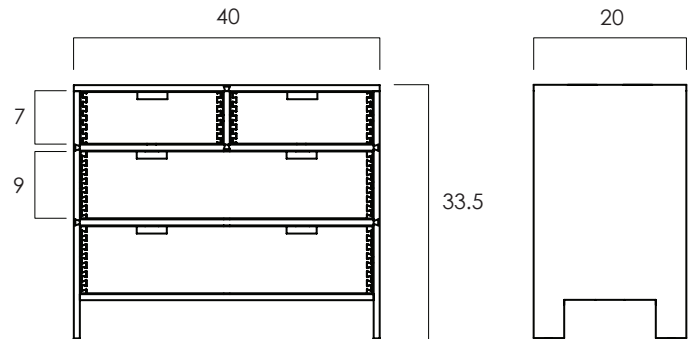
- 2023 Finishes:
- Teak Natural (TN)
  - Teak Tinted (TT)



TN



TT



2023  
sales@ftsny.com  
www.ftsny.com