



FROM THE SOURCE handcrafted
furniture

SLIM PLUS DINING BASE

- Slim base is produced sustainably and traditionally by sandcasting recycled iron, its hand polished surface carries the character of craftsman's touch.
- It is equipped with adjustable levelers.
- Clear finish for indoor use.
- Designed to support our standard and slab tops up to 39 in wide. Recommended top length for a pair of Slim Plus bases is 84 - 96 in.
- Also available in a regular version for smaller tops.
- Hand made in Central Java, Indonesia.

WIDTH: 24 in
DEPTH: 1.5 in
HEIGHT: 28 in
MOUNTING PLATE: 4 x 16 in

2022 Finishes:

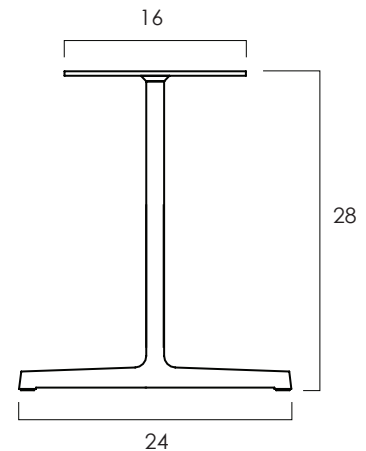
- Cast Iron Clear Aged Satin (DC/AS)
- Cast Iron Clear Semi Black (DC)



DC/AS



DC



2022
sales@ftsny.com
www.ftsny.com