



FROM THE SOURCE handcrafted
furniture

SLADE ROCKING CHAIR

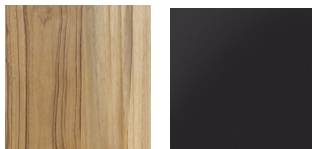
- Slade is a line of seating products that combine sturdy metal frame and gently curved solid wood slats that add comfort to the seat. The rocking chair was created for ultimate comfort with the city dwelling in mind.
- Slade is available in outdoor grade finishes.
- All wood is sustainably sourced from local plantations. Hand made in Central Java, Indonesia.

WIDTH: 25 in
DEPTH: 34 in
HEIGHT: 32 in
SEAT HEIGHT: 15 in



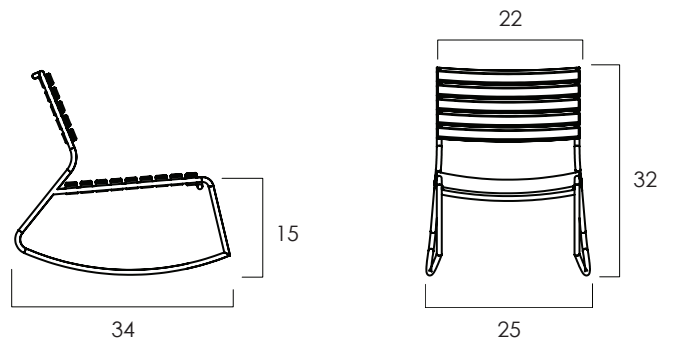
2023 Finishes:

- Teak Clear Matte Oil (TA) + Stainless Steel Black Powder Coated (EB)



TA

EB



2023
sales@ftsny.com
www.ftsny.com