



FROM THE SOURCE handcrafted
furniture

SLADE BAR STOOL - BACKLESS

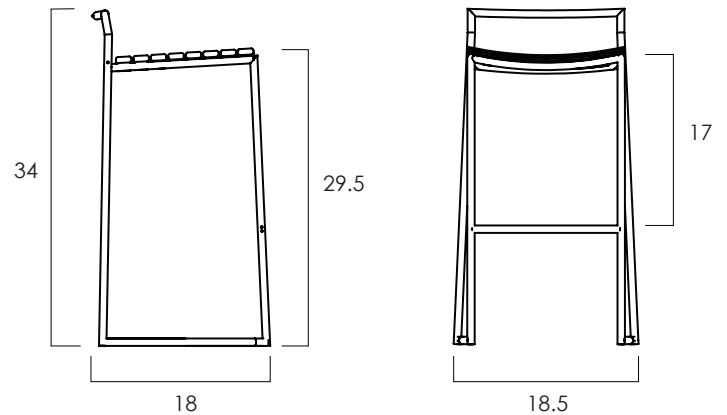
- Slade is a line of seating products that combine sturdy metal frame and gently curved solid wood slats that add comfort to the seat.
- Outdoor grade finishes.
- Also available in dining, counter and rocking chair versions, and versions with a higher back.
- Stackable design.
- All wood is sustainably sourced from local plantations. Hand made in Central Java, Indonesia.

WIDTH: 18.5 in
DEPTH: 18 in
SEAT HEIGHT: 29.5 in
TOTAL HEIGHT: 34 in



2023 Finishes:

- Mixed Woods, Oiled Finish (YO) + Stainless Brushed



2023
sales@ftsny.com
www.ftsny.com