



FROM THE SOURCE handcrafted
furniture

RING SIDE TABLE

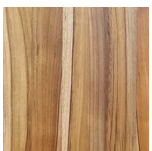
- Ring table is available in two heights. Top and base can be sold separately.
- Ring top is made of a solid piece of teak root slab. Imperfections like natural cavities in root material do not affect the quality of products and give each piece a unique character.
- Ring base is made of clear iron and equipped with plastic glides.
- Clear finish for indoor use.
- Two Ring tables cannot nest.
- All wood is sustainably sourced from local plantations. Hand made in Central Java, Indonesia.

TOP DIAMETER: 15 in
BASE DIAMETER: 13 in
TOTAL HEIGHT: 17 / 22 in

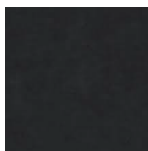


2022 Finishes:

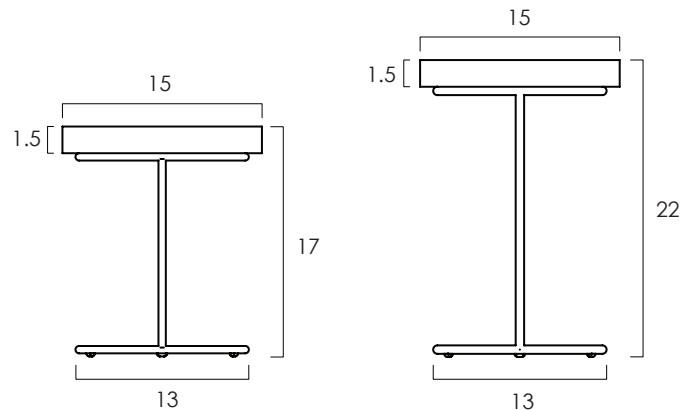
- Teak Natural (TN) + Clear Iron (RC)



TN



RC



2022
sales@ftsny.com
www.ftsny.com