



FROM THE SOURCE handcrafted
furniture

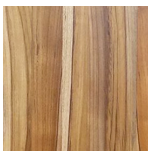
QUAD WOOD DINING TABLE

- Quad table features hand made wedged joinery under the Reef wood top. Solid turned legs come together to create the sturdy dining base.
- The base comes knock down in two parts for transportation. Some assembly is required.
- Bases are equipped with levelers.
- Clear finish for indoor use.
- Table is sold as set. Base can also be sold separately. Recommended top size is between 36 - 42 in.
- All wood is sustainably sourced from local plantations. Hand made in Central Java, Indonesia.

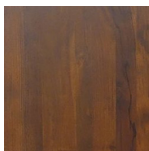
BASE WIDTH: 31 in
MOUNTING PLATE WIDTH: 24 in
TOP DIAMETER: 36 / 42 in
HEIGHT: 29.5 in

2022 Finishes:

- Teak Natural (TN)
- Teak Tinted (TT)
- Mango Bleached (G2)
- Teak Pitch (TP)



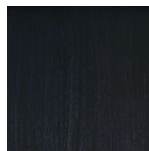
TN



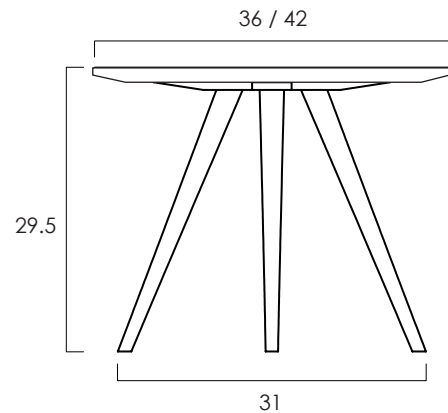
TT



G2



TP



2022
sales@ftsny.com
www.ftsny.com