



FROM THE SOURCE handcrafted
furniture

PELE DINING ARMCHAIR

- Pele is an armchair from the vibrant family of products that are made of recycled oil drum material as a part of our sustainable initiative. Each chair features artistically composed color pattern of the original barrel. Some lettering and logos are also preserved where it suits. Each chair is a welcoming splash of color in any space and a real conversation starter.

- Subtle texture on surfaces carries the character of the hand formed process. Each chair is unique in color and pattern used.

- Also in the collection: side chair, counter, bar stool and an occasional chair.

- Clear finish for indoor use only.

- Chairs are equipped with plastic glides.

- Hand made in Central Java, Indonesia.

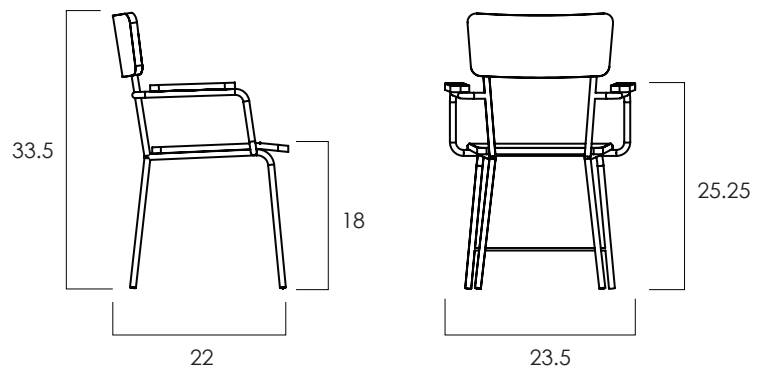
WIDTH: 23.5 in

DEPTH: 22 in

HEIGHT: seat 18 / arm 25.25 / back 33.5 in

2022 Finishes:

- Clear Recycled Iron (Color)



2022
sales@ftsny.com
www.ftsny.com