



FROM THE SOURCE handcrafted
furniture

ORION NARROW DINING BASE

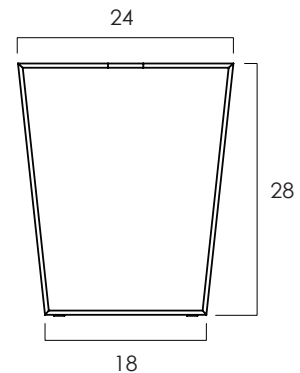
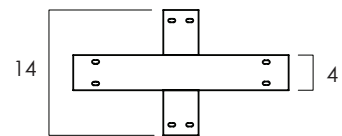
- This Orion dining base is a slightly slimmer version of our standard Orion and is best suited for residential use, it is made from 1/2 in thick solid-welded iron and equipped with adjustable levelers.
- 4-in wide side profile makes it suitable to support slab tops. Recommended top sizes are 72 - 96 in per a pair with a maximum width of 39 in.
- Clear powdercoating finish for indoor use.
- Hand made in Central Java, Indonesia.

WIDTH: 18 / 24 in

DEPTH: 4 in

HEIGHT: 28 in

MOUNTING PLATE: 14 x 24 in



2022 Finishes:

- Clear Iron (RC)



RC

2022
sales@ftsny.com
www.ftsny.com