



FROM THE SOURCE handcrafted
furniture

ORION COUNTER / BAR BASE

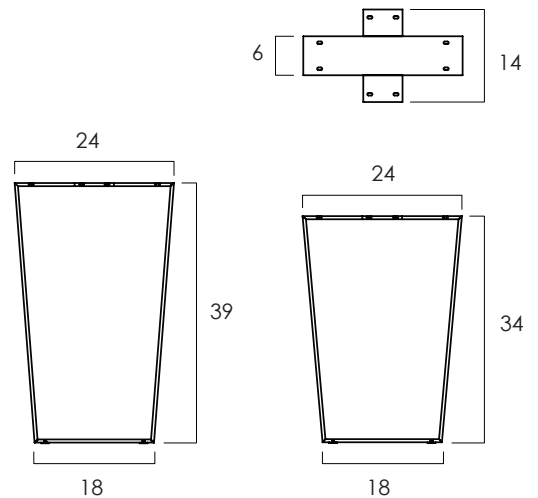
- Orion is a robust base that can handle quite a load. Made from a 1/2 in thick solid welded iron plate and equipped with adjustable levelers. This base is well tested in high-traffic areas.
- 6-inch side profile makes it suitable to support heavy slab tops. Recommended top sizes are 96+ in long per pair.
- Also available in bench and dining heights, and in a narrow version for smaller tops.
- Clear powdercoating finish for indoor use.
- Hand made in Central Java, Indonesia.

WIDTH: 18 / 24 in
DEPTH: 6 in
COUNTER HEIGHT: 34 in
BAR HEIGHT: 39 in
MOUNTING PLATE: 24 x 14 in

- 2022 Finishes:
- Clear Iron (RC)



RC



2022
sales@ftsny.com
www.ftsny.com