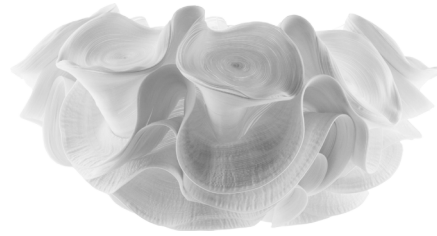
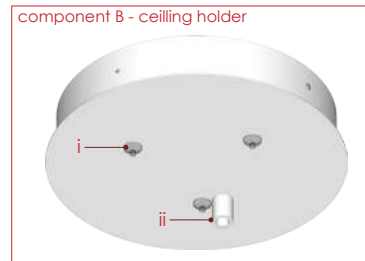
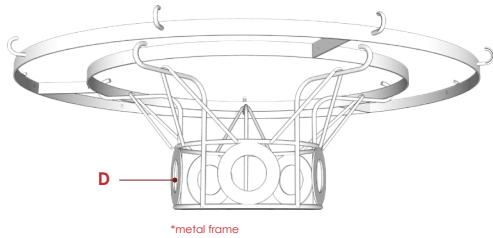
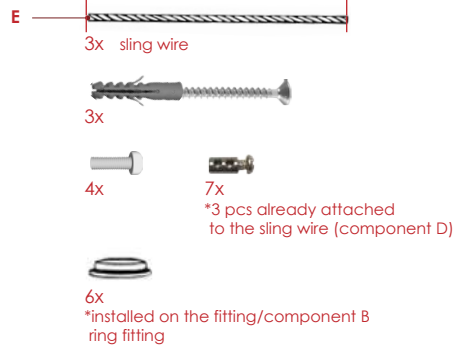
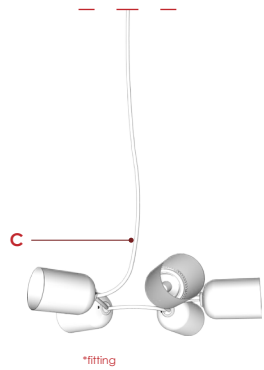


COMPONENTS :

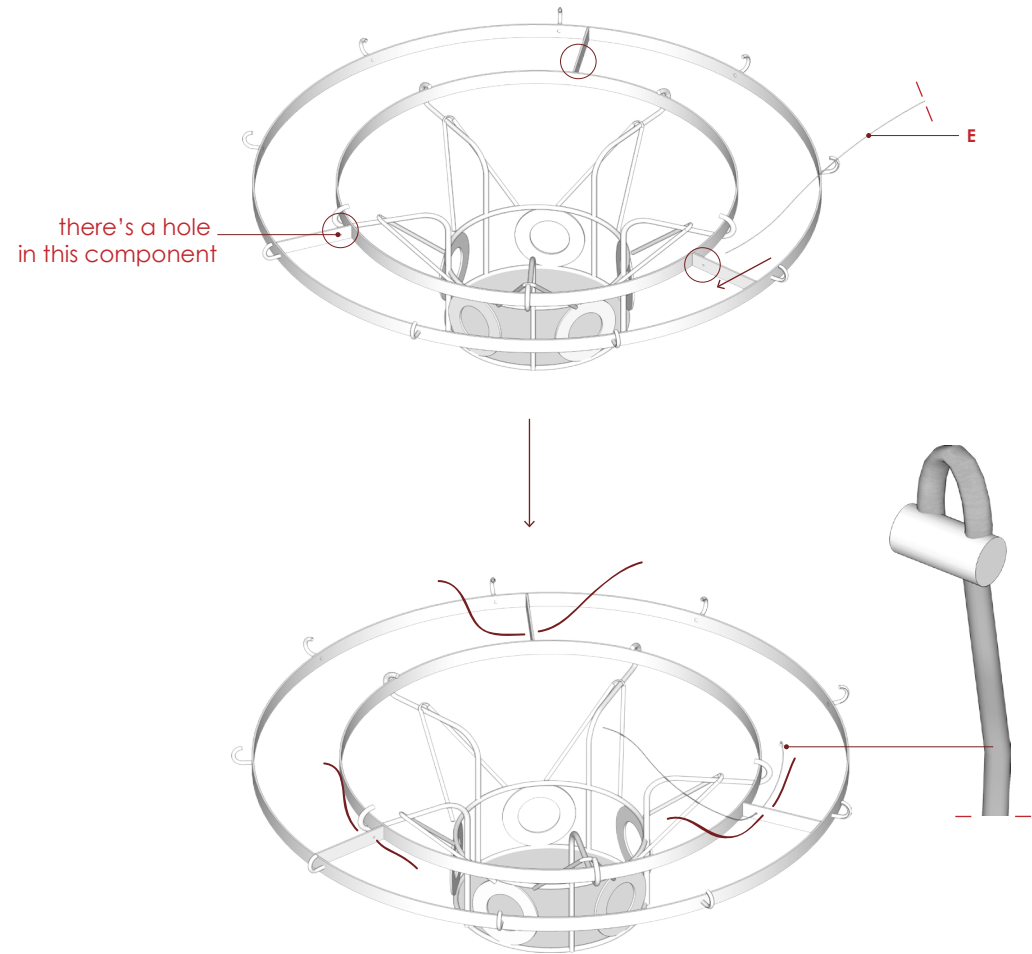


shade



HOW TO INSTALLED SLING & CABLE INTO FRAME *component D :

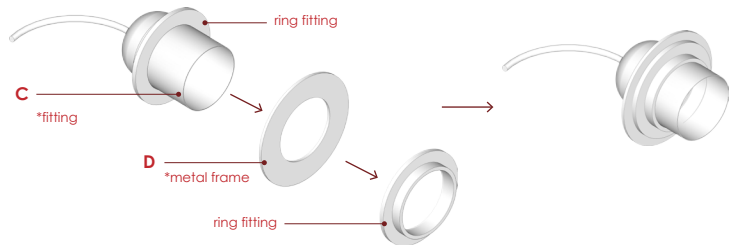
1. input sling *E, into component D at 3 predrilled holes as per diagram below



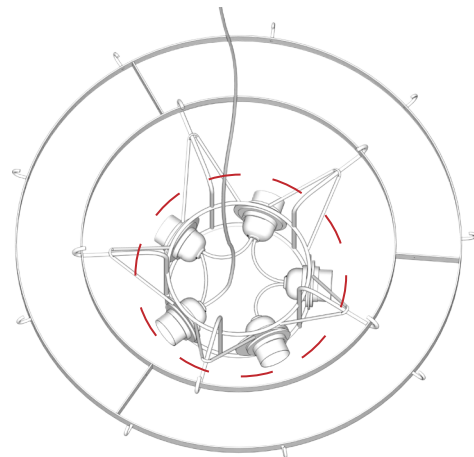
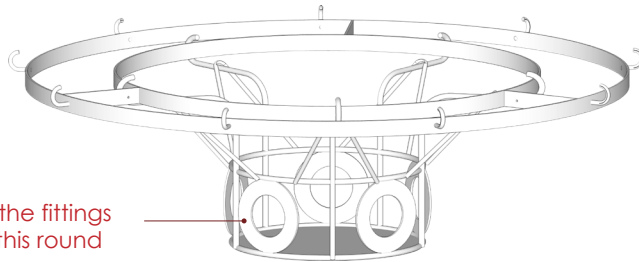
CAUTION: TO REDEUCE RISK OF FIRE, USE MAX 25 WATT OF TYPE A BULB
WE HIGHLY RECOMEND TO USE MAX 25 WATT LED BULB INSTEAD

HOW TO INSTALLED CABLE FITTING INTO METAL FRAME :

2. put the component C into the round metal ring in component D and use the ring fitting provided to fasten



put the fittings in this round



the result should be like on this picture above

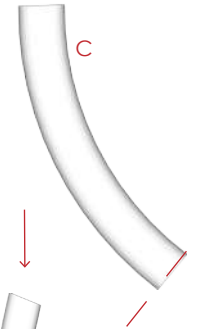
CAUTION: TO REDEUCE RISK OF FIRE, USE MAX 25 WATT OF TYPE A BULB
WE HIGHLY RECOMEND TO USE MAX 25 WATT LED BULB INSTEAD

HOW TO INSTALLED SLING & CABLE INTO CEILING HOLDER :

3. connect the cable (component C) to the cable hole (ii) on the bottom of the ceiling holder



ii

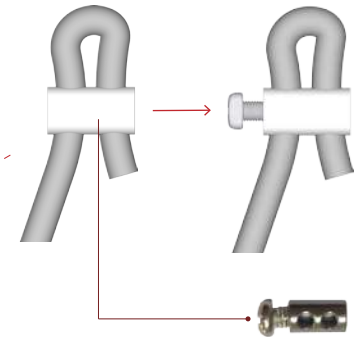


tighten the bolts using
a flat-head screwdriver (-)

4. attached component E into component B by the specific hole (i)

5. you can adjust the length by pushing the sling (E). the sling holder (i) will locked automatically.

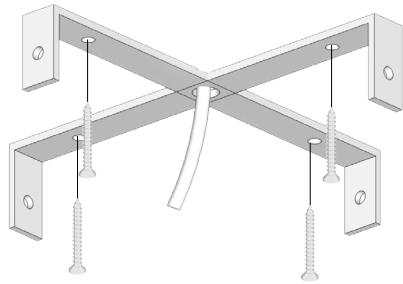
6. as added precaution we suggest you to lock the end of the sling. see diagram below :



ONG CEN KUANG

IN NEW LIGHT

HOW TO INSTALLED THE CEILING HOLDER :

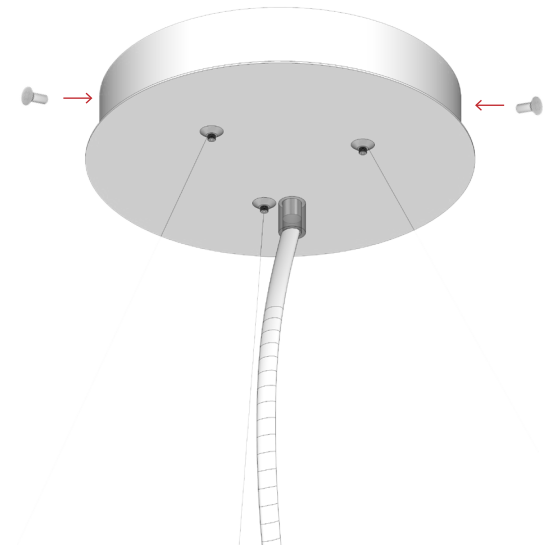


7. Fix the ceiling holder *component B by screw up to the ceiling.



8. connect the wires from the ceiling outlet to the matching wires (colors) of the pendant light set using the supplied wire connectors.

note :
make sure to leave enough wire inside, to avoid tension on the wire connections.

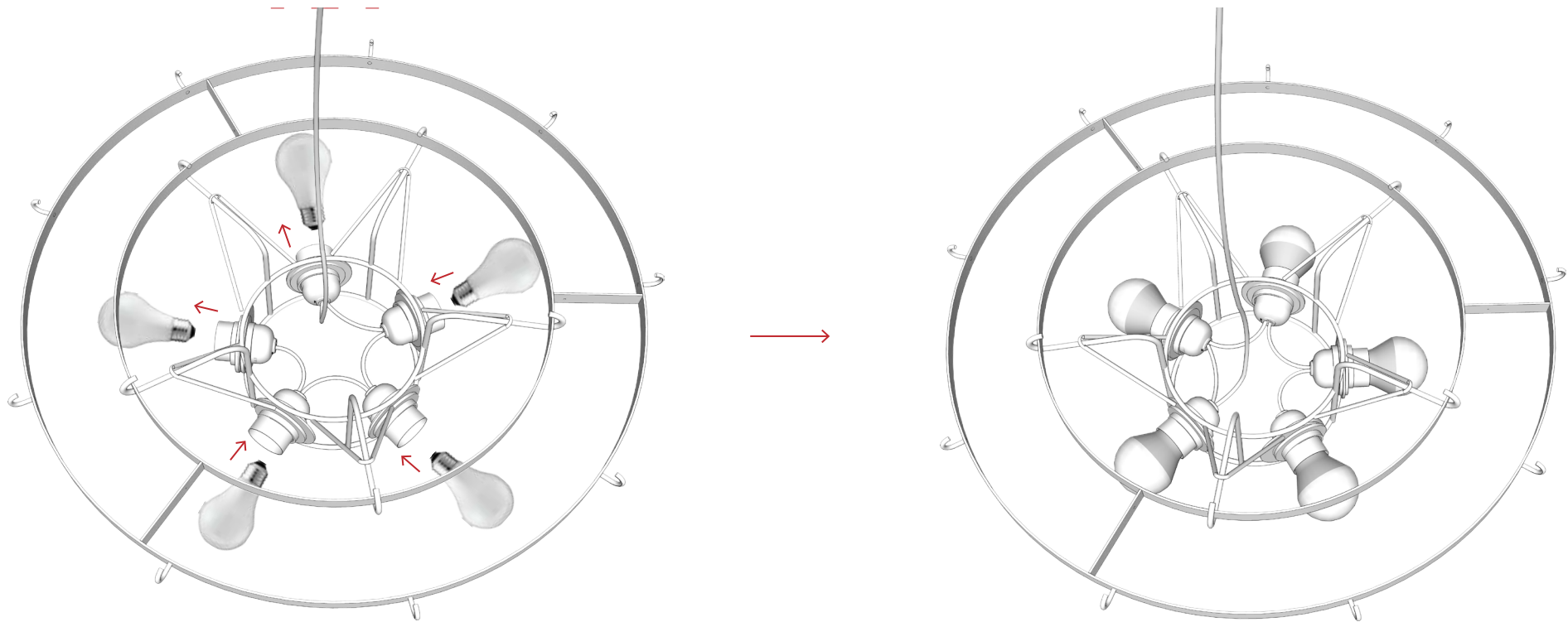


9. use screw to attach the ceiling holder *B to component A

CAUTION: TO REDEUCE RISK OF FIRE, USE MAX 25 WATT OF TYPE A BULB
WE HIGHLY RECOMEND TO USE MAX 25 WATT LED BULB INSTEAD

ONG CEN KUANG
IN NEW LIGHT

10. insert the bulbs into the lamp fittings



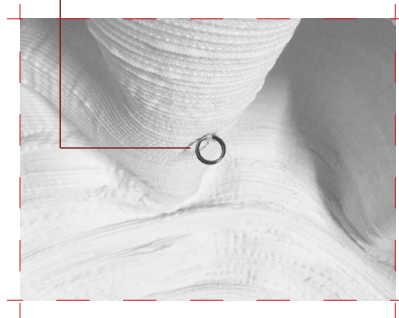
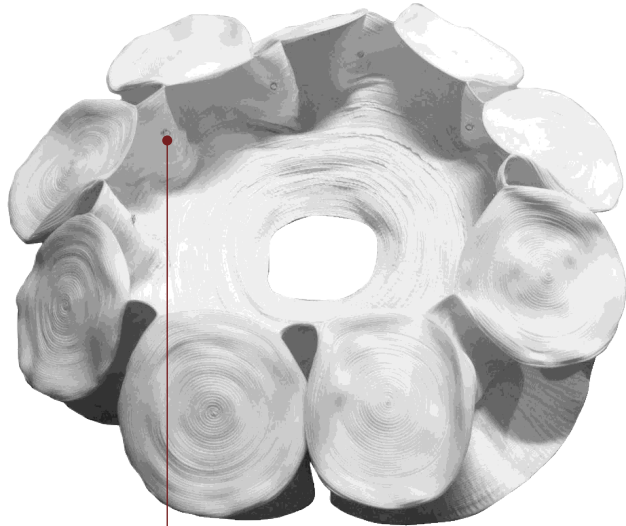
CAUTION: TO REDUCE RISK OF FIRE, USE MAX 25 WATT OF TYPE A BULB
WE HIGHLY RECOMMEND TO USE MAX 25 WATT LED BULB INSTEAD

ONG CEN KUANG

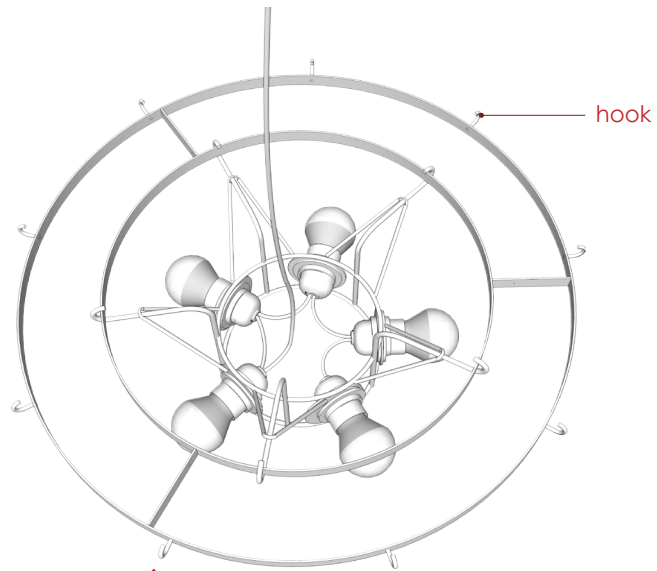
IN NEW LIGHT

HOW TO INSTALLED SHADE TO THE METAL FRAME :

11. hook the ring on the shade into the component D



there are 9 rings on the shade



12. The top part of the round bit shaded rest on the top of the metal frame.

Please turn the edges inward to irregular shape.

CAUTION: TO REDEUCE RISK OF FIRE, USE MAX 25 WATT OF TYPE A BULB
WE HIGHLY RECOMEND TO USE MAX 25 WATT LED BULB INSTEAD

ONG CEN KUANG

IN NEW LIGHT