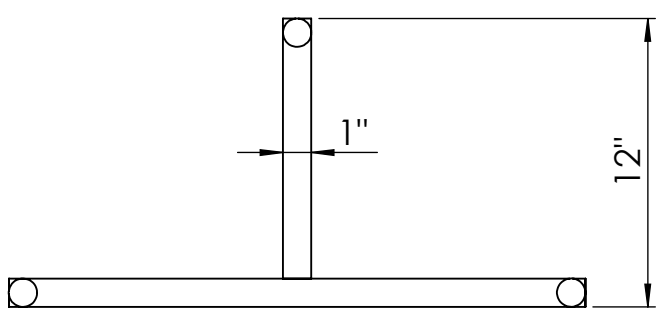
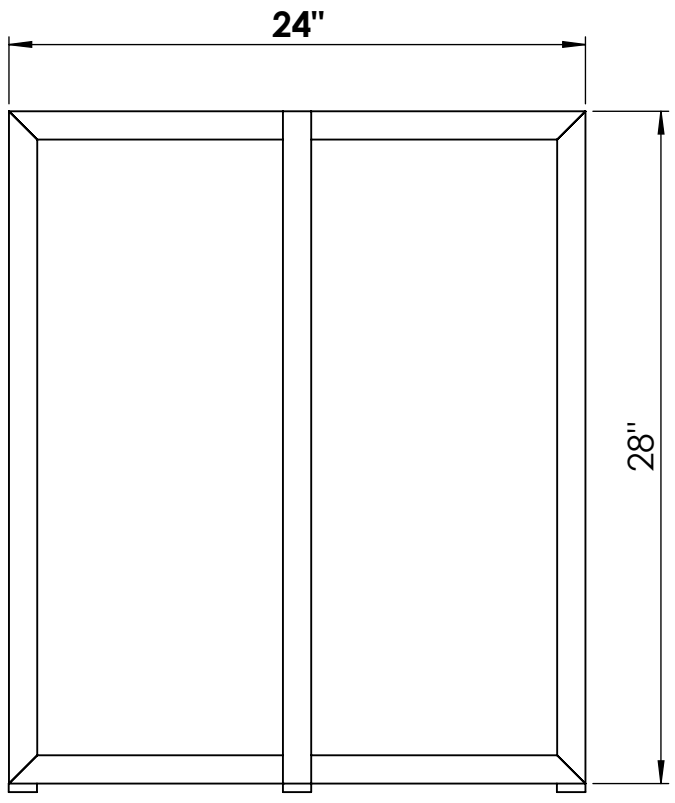


HD 016 (PD 178)



|                 |                    |
|-----------------|--------------------|
| DISCRPTION      |                    |
| 28" BASE TEE    |                    |
| from the source | DATE<br>02.20.2013 |