



FROM THE SOURCE handcrafted  
furniture

## BRIDGE DINING BASE

- An ode to the engineering wonders of a bridge, this lightweight pedestal base uses a series of hollow posts as its main structure giving it strength without sacrificing weight.
- Equipped with adjustable levelers.
- Central column is 3 in wide.
- Bridge comes in iron and stainless steel versions with clear finish for indoor use.
- Recommended top sizes are 30 - 42 in square or round.
- The base is also available in the bar height.
- Hand made in Central Java, Indonesia.

WIDTH: 21.5 in  
HEIGHT: 28 in  
DIAGONAL WIDTH: 30 in  
MOUNTING PLATE: 9 X 9 in

### 2022 Finishes:

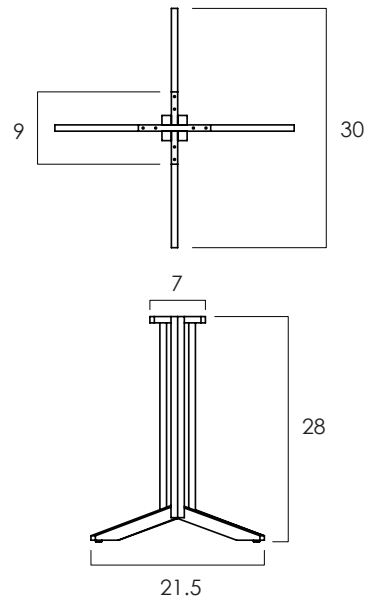
- Clear Iron (RC)
- Stainless Steel Brushed (EX)



EX



RC



2022  
sales@ftsny.com  
www.ftsny.com