



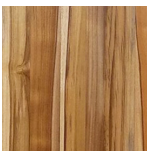
FROM THE SOURCE handcrafted  
furniture

## ANNIK DINING ARMCHAIR

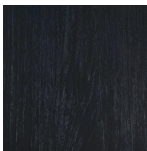
- Annik is an all-wood chair that is a nod to traditional mid-century design. It features solid joinery and hand turned legs. The seat is scooped gently for added comfort. The back and armrests are hand shaped meticulously to create soft inviting curves.
- Due to hand made nature of this chair, slight deviation in dimensions is possible.
- This chair does not fully slide under dining tables due to its armrest height.
- Clear finish for indoor use.
- Plastic floor glides.
- All wood is sustainably sourced from local plantations. Hand made in Central Java, Indonesia.

WIDTH: 21.5 in  
DEPTH: 22 in  
HEIGHT: seat 18.25 / arm 27 / back 33 in

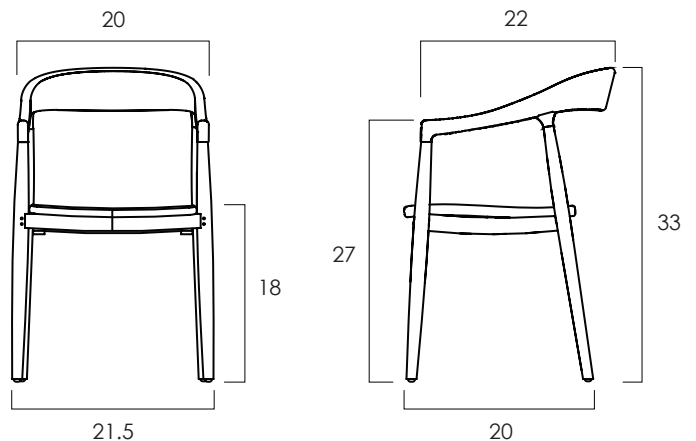
- 2022 Finishes:
- Teak Natural (TN)
  - Teak Pitch (TP)



TN



TP



2022  
sales@ftsny.com  
www.ftsny.com