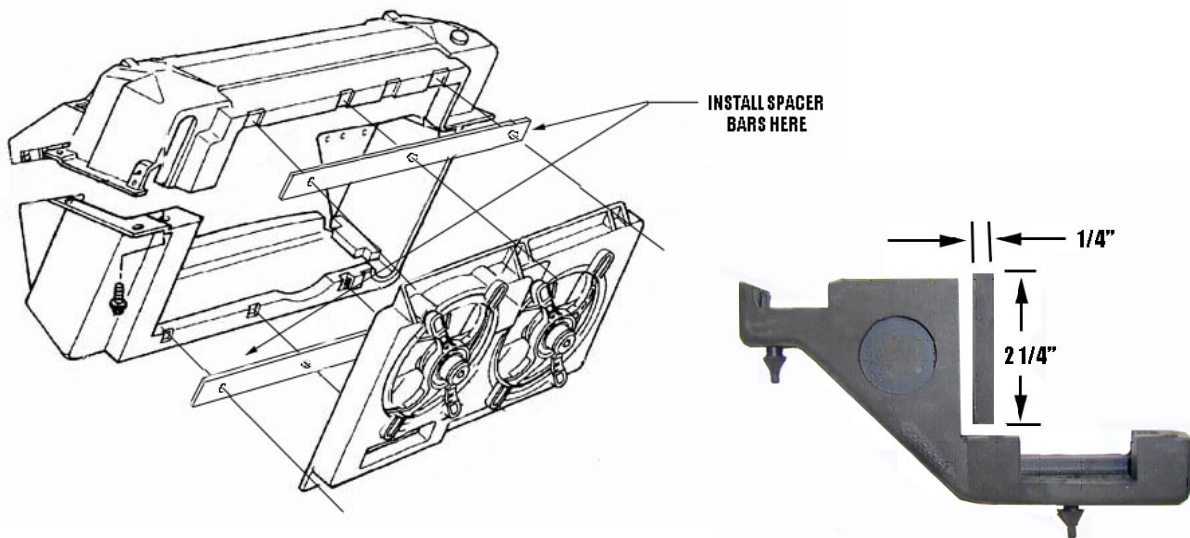




1275 Grand Oaks Drive • Howell, MI 48843
517.548.0600 • Fax 517.548.0602

Instruction Sheet 1139090

In order to install the new thicker core, a small piece ($1/4'' \times 2 \frac{1}{4}''$) of the two upper cushions must be trimmed out as shown. The lower cushions do not need any modification.



Enclosed with your radiator are two plastic aluminum spacer plates and hardware. Install these plates between the fan shroud and housing as shown, using the longer bolts supplied in the kit. This is required to prevent the fan shroud from damaging the thicker core. Install the radiator as normal and re-assemble the top cover with the modified cushions.