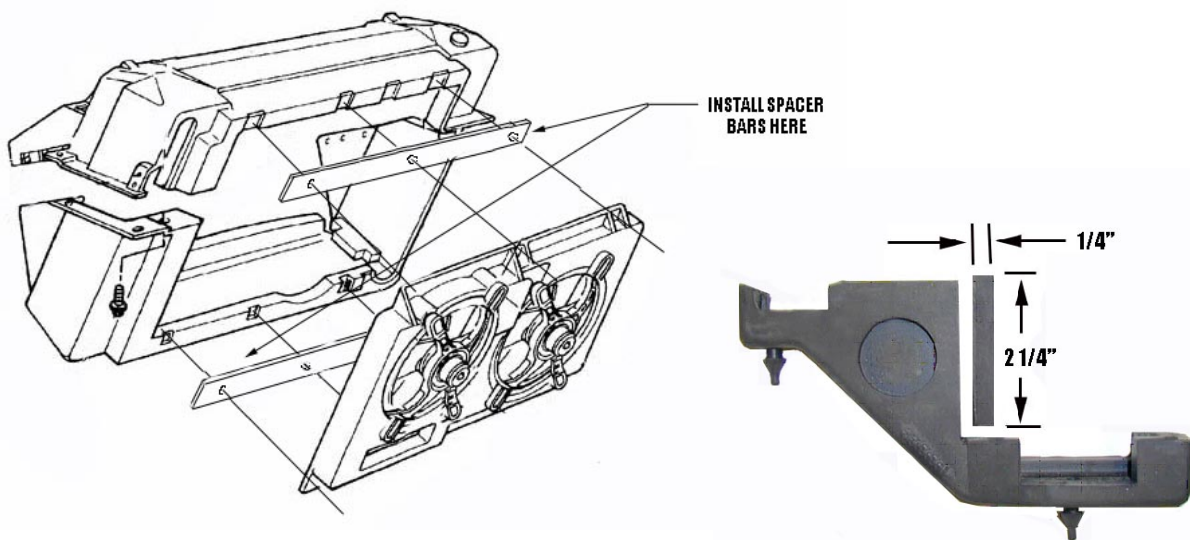




1275 Grand Oaks Drive • Howell, MI 48843  
517.548.0600 • Fax 517.548.0602

# Instruction Sheet 1139090

In order to install the new thicker core, a small piece (1/4" X 2 1/4") of the two upper cushions must be trimmed out as shown. The lower cushions do not need any modification.



Enclosed with your radiator are two plastic aluminum spacer plates and hardware. Install these plates between the fan shroud and housing as shown, using the longer bolts supplied in the kit. This is required to prevent the fan shroud from damaging the thicker core. Also enclosed are the two self-adhesive foam seals. Stick one of the seals on the top of the radiator core and one on the bottom. Install the radiator as normal and re-assemble the top cover with the modified cushions.