



# FAN RELAY INSTALLATION INSTRUCTION SHEET

32-SPFRH

Secure the relay in the engine compartment away from all heat sources. Then connect the wires using the diagrams.

Red: Connect to the red wire of fan pigtail with pre-terminated yellow crimp.

Grey: Connect to thermostat socket (sending unit) with blue ring crimp connector.

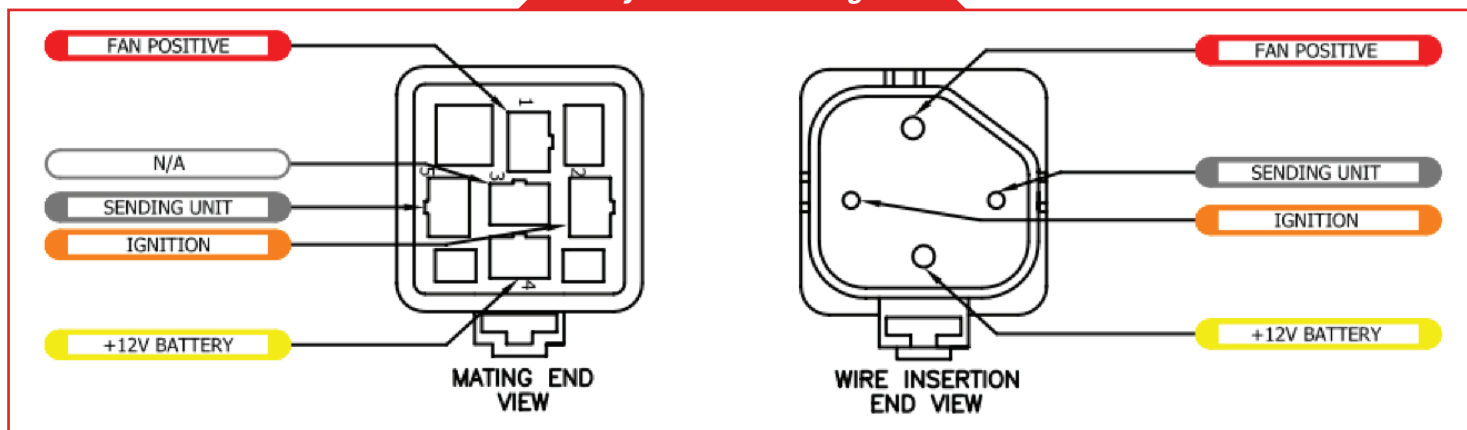
Yellow: Connect to positive battery terminal using the fuse holder and yellow crimp connectors.

Orange: Connect to +12V DC ignition source when key is in run position.

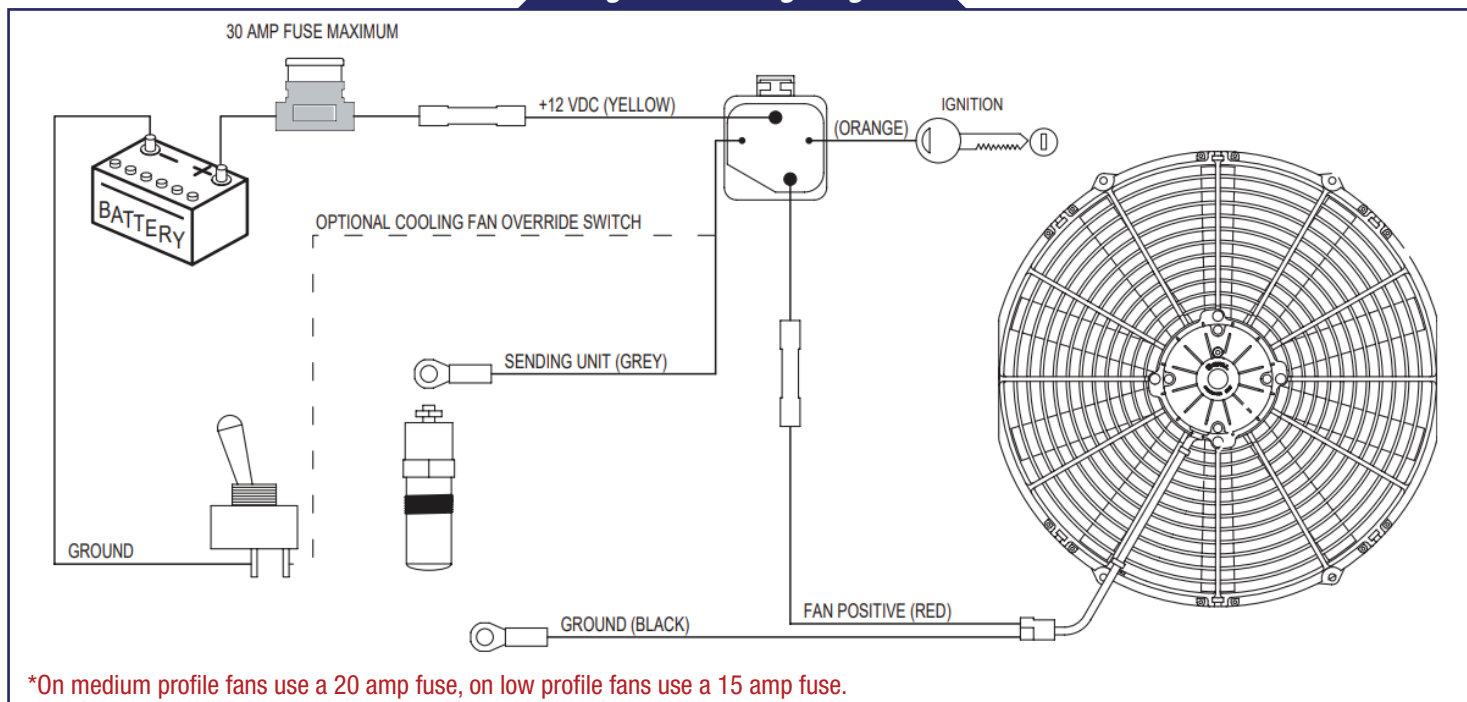
Black: Connect ring terminal to chassis ground.

Fuse Holder: Connect fuse holder in-line per diagram within 12" of the battery.

## Relay Connection Diagram



## Single Fan Wiring Diagram



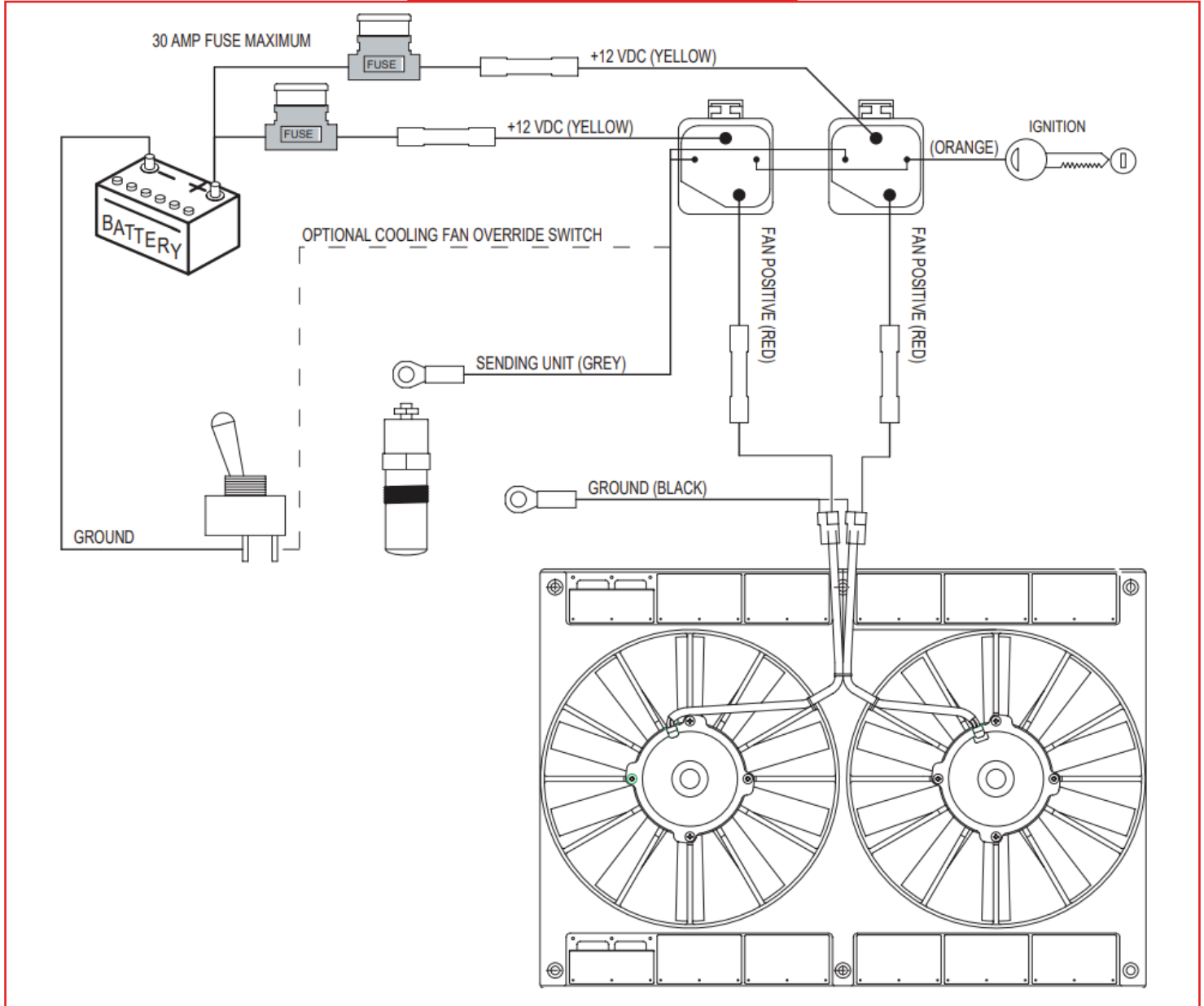
\*On medium profile fans use a 20 amp fuse, on low profile fans use a 15 amp fuse.



# FAN RELAY INSTALLATION INSTRUCTION SHEET

32-SPFRH

## Multiple Fan Wiring Diagram



Air Conditioning requires a second relay. From the second A/C relay, connect Yellow and Orange wires to ground. Connect the Red wire to the sending unit wire of the original fan relay harness. The Gray wire from the A/C relay goes to the +12 volt A/C compressor clutch wire. The fan will turn on when the A/C compressor activates.

