

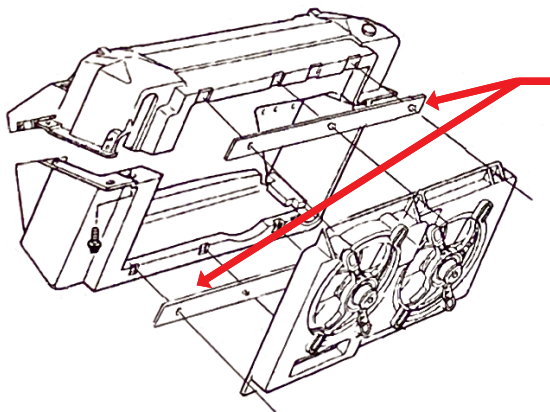


CUSHION MODIFICATION

32-1139090 INSTRUCTIONS

In order to install the new thicker core, a small piece (1/4" x 2-1/4") of the two **upper** cushions must be trimmed out as shown.

The **lower** cushions do not need any modification.



INSTALL SPACER
BARS HERE

