



C6 CORVETTE DUAL FAN KIT

32-SP463 & 32-SP463SC INSTALLATION INSTRUCTIONS

Thank you for purchasing our
32-SP463 or 32-SP463SC C6 Corvette Dual Fan Kit.



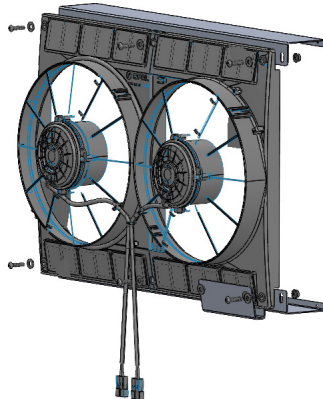
The Kit includes the following parts:

- | | |
|---|--|
| <ul style="list-style-type: none"> • Upper Fan Bracket – 32-SP050E • Lower Fan Bracket – 32-SP050C with 32-SP052 Controller bracket attached • Dual 11" Spal Fans - 32-SP30102052 • Dual Fan "Y" Adapter - 32-E109 • C6 12ga Pigtail - 32-E107 • 2ea. - 12ga Connectors - 32-E110 | <p>Hardware Package:</p> <ul style="list-style-type: none"> • 6ea. - 1/4 - 20 x 1" Hex Bolt • 8ea. - 1/4" Washer • 6ea. - 1/4" - 20 Nut • 2ea. - 1/4" - 20 x 1/2" Phillips Screw • 4ea. - 3/16" x 3/4" Tek Screw |
|---|--|

STEP 1

Mount the bracket to the fans with the 1/4"-20 x 1" bolts, 1/4" washers, and flange nuts provided in the hardware kit. With the bolt and washer on the top side of the fans and the nut to the bottom side of the aluminum bracket, finger tighten all six bolts.

FULL HEIGHT RADIATOR



STEP #3

With the fan assembly positioned on the radiator and secured on the front side, turn the radiator back over so the fan is facing you. Tighten the 6 bolts from STEP #1 so the assembly is tight and secure.

SPECIAL NOTE: on installing 32-SP463SC on a DeWitts cut down radiator. The lower bracket is slightly different for the cut down version. The fans will hang off the bottom of the radiator by 1". The brackets will still hook over the front edge of the radiator, but it bends down to bolt to the fans.

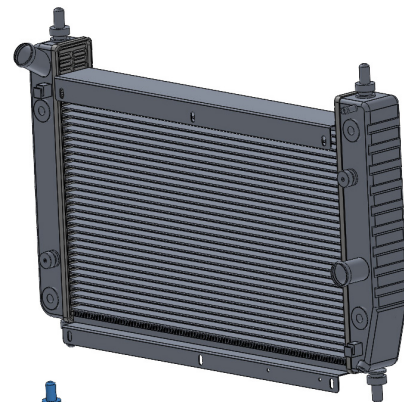
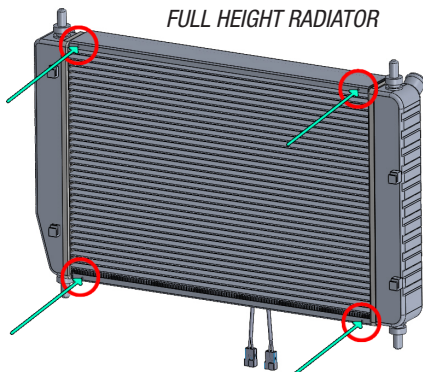
STEP 2

With the fans attached to the brackets, hook the fan assembly over the top and bottom of your DeWitts Radiator. Turn radiator over so you are facing the front of radiator and secure the four corners with the 3/16" x 3/4" tek screws.

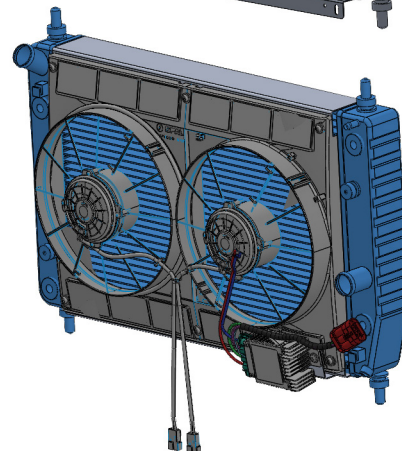
These are self-tapping screws and can be screwed in using an electric drill.

Note: This is to be mounted to a DeWitts Radiator only. DeWitts top and bottom channels are hollow extruded channels with no fluid running through them.

FULL HEIGHT RADIATOR



CUT DOWN



FULL HEIGHT



C6 CORVETTE DUAL FAN KIT

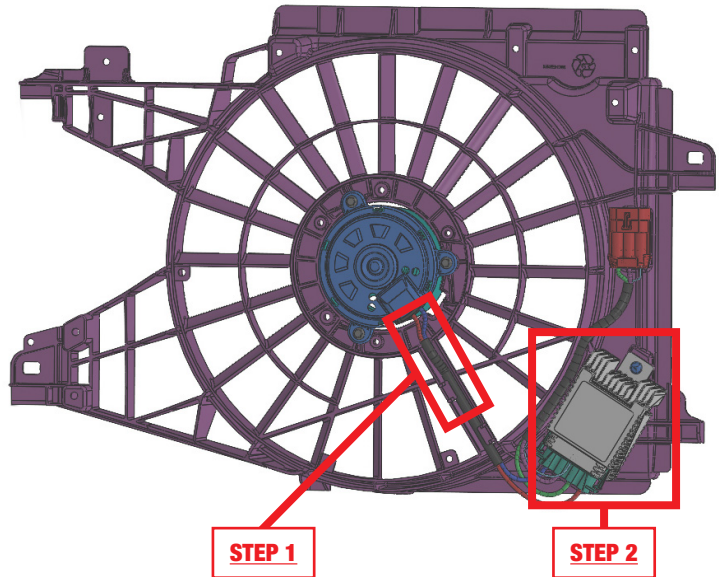
32-SP463 & 32-SP463SC WIRING INSTRUCTIONS

STEP 1

Remove the stock fan and controller from radiator.
Cut the red and black wire coming out of the stock fan.

STEP 2

Remove the stock controller from the stock fan shroud.



STEP 3

Mount controller to the lower bracket on your new 32-SP463 or 32-SP463SC fan kit.

Secure the controller with two 1/4-20 x 1/2" phillips screws and 1/4" washers.

STEP 4

Use both 12ga connectors to attach the red and black wires to the C6 pig tail assembly.

