

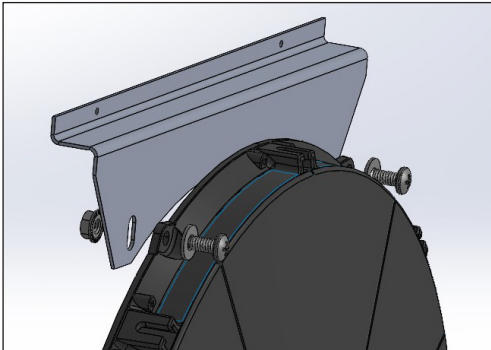


16" SPAL FAN KIT

32-SP006 INSTALLATION INSTRUCTIONS

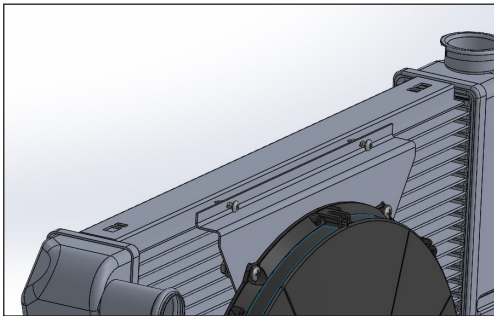
STEP 1

Mount brackets to the fan using hardware enclosed. Hand thread the bolt to the bracket, but do not tighten.



STEP 2

Locate the fan assembly on the radiators top and bottom hat channels.



When the fan is resting in the channels, center the assembly how you wish.

STEP 3

After fan is positioned where you want, use the self tapping screw with an electric drill motor to fasten the brackets to the radiator channels. These channels are not cooling tubes.

STEP 4

After brackets are secured to radiator, go back and tighten the fan to the brackets. Give the bolts an extra 1/2 turn to embed the locknut into the soft aluminum.



KIT INCLUDES

- 1ea. 16" SPAL puller fan
- 1ea. Wire Harness with relay instructions
- 1ea. 195 Degree temperature switch
- 2ea. Mounting brackets, and hardware for mounting



**THANK YOU FOR PURCHASING OUR
32-SP006 SPAL FAN KIT.
ANY QUESTIONS PLEASE CALL 517-548-0600**