

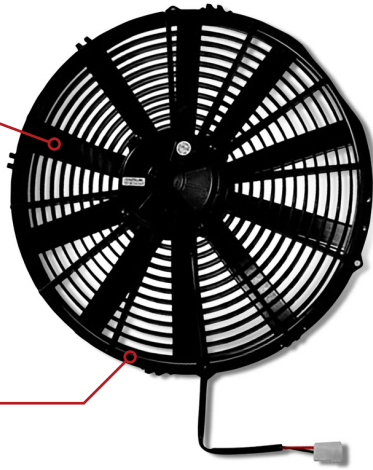


SP004 CORVETTE KIT

32-SP004 INSTALLATION INSTRUCTIONS

16-inch high performance brushed fan moves 1,918 cfm of air.

Stock plastic fan shroud can be retained with minor trimming to hide fan if desired.



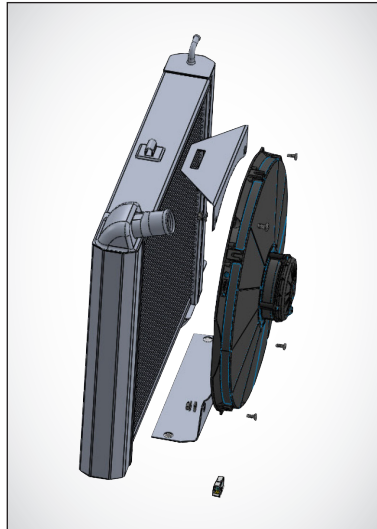
Press formed aluminum mounting brackets.

Designed to mount SPAL fans to radiator core via factory mounts.

Kit includes relay and wiring harness with 195° temperature switch.

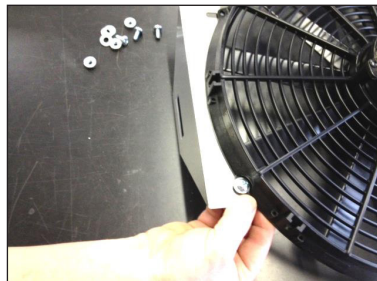
STEP 1

Make sure all the pieces are included in your SP004 fan kit. The kit should include 2 brackets, 16" SPAL puller fan, mounting hardware, and a wiring kit.



STEP 2

Mount the brackets to the fan with the hardware finger tight. You will need to be able to adjust brackets in the bolt slots later in the assembly.

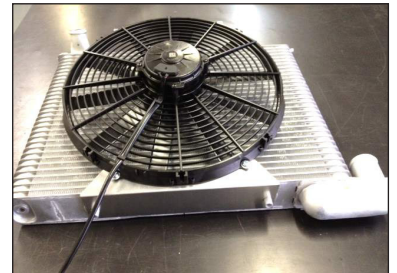
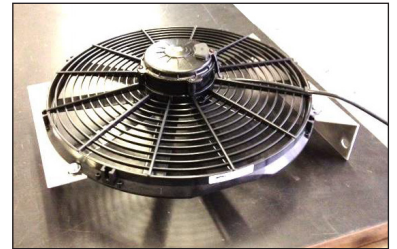


STEP 3

Both sides of the brackets will need to be installed like this, so you end up with the fans snug tight to the brackets.

STEP 4

Mount the brackets over the pins on the bottom and over the loop on the top of the radiator. Once this is complete, snug the brackets to the core and tighten the bolts to the fans.



STEP 5

After top and bottom brackets are installed, you are ready to mount in the car.

Once installed, follow the *wiring instructions* that are included in the wiring harness package.

