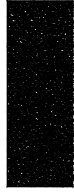
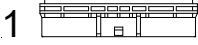


BMW F800GT from 2016 (Throttle-by-Wire)

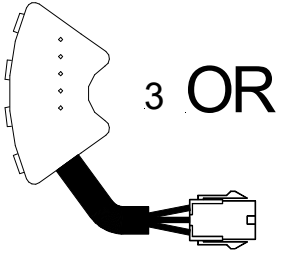
Parts list for MCS 7040 kit

| <u>Item</u> | <u>Qty</u> | <u>Part Number</u> | <u>Description</u> |
|------------------|------------|----------------------|--|
| 1 | 1 | MCS 7010 TBW | Computer |
| 2 | 2 lengths | | Self-Adhesive Velcro 8cm long |
| 3 | 1 | MCS GT1014-160 | Slim Control Switch |
| | 8cm | | Foam mounting tape |
| | 2 | | 300mm cable ties |
| <u>OR</u> | | | |
| | | <u>MCS 7044</u> | <u>Switch assembly</u> |
| 4 | 1 | MCS 820-160 | Control Switch |
| 5 | 1 | MCS 4944A | Switch bracket (MCS 830T) |
| | 4 | | 4 gauge x 1/2" stainless steel pan head self-tap screw |
| | 1 | | 100mm cable tie |
| 6 | 1 | | M6 x 35 socket head cap screw |
| 7 | 3 | | 6mm flat washer |
| 8 | 1 | MCS 7044B | 6mm spacer |
| 9 | 1 | <u>MCS 7043</u> | <u>Cruise Control Wiring Harness – no dongle patch</u> |
| a | | | Computer plug (26 pin) |
| b | | | Fuse holder (3 amp fuse) |
| c | | | CAN-BUS connections with no dongle patch (8 pin) |
| d | | | Control switch plug (6 pin) |
| e | | | TPS connections (brown, green and black wires) |
| f | | | Power & brake sensor connections (6 pin) |
| <u>OR</u> | | | |
| 10 | 1 | <u>MCS 7043-CBDP</u> | <u>Cruise Control Wiring Harness with dongle patch</u> |
| a | | | Computer plug (26 pin) |
| b | | | Fuse holder (3 amp fuse) |
| c | | | CAN-BUS connections with dongle patch (8 pin) |
| d | | | Control switch plug (6 pin) |
| e | | | TPS connections (brown, green and black wires) |
| f | | | Power & brake sensor connections (6 pin) |
| | 16cm | HST3 | 3mm heat shrink tube (TPS connection) |
| | 8cm | HST4 | 4mm heat shrink tube (TPS connection) |
| | 10 | | 100mm cable ties |
| | 10 | | 150mm cable ties |
| | 6 | | 200mm cable ties |
| | 6 | | 300mm cable ties |

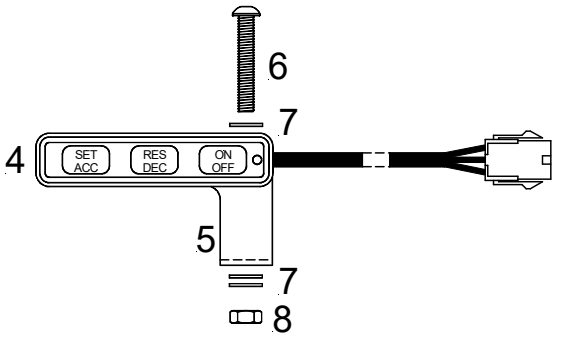
Information, Set up and Operation Manual
Operation and User Manual
Installation Manual
Trouble shooting guide



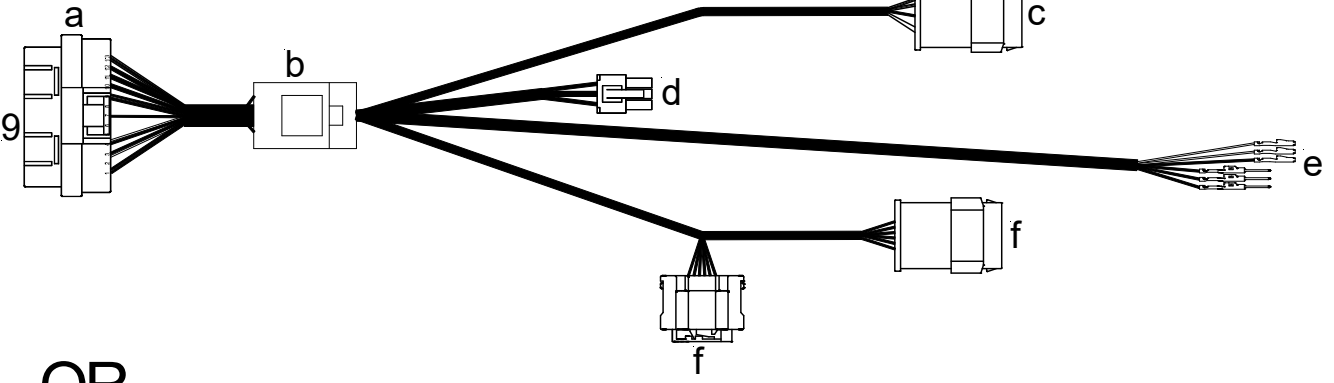
2



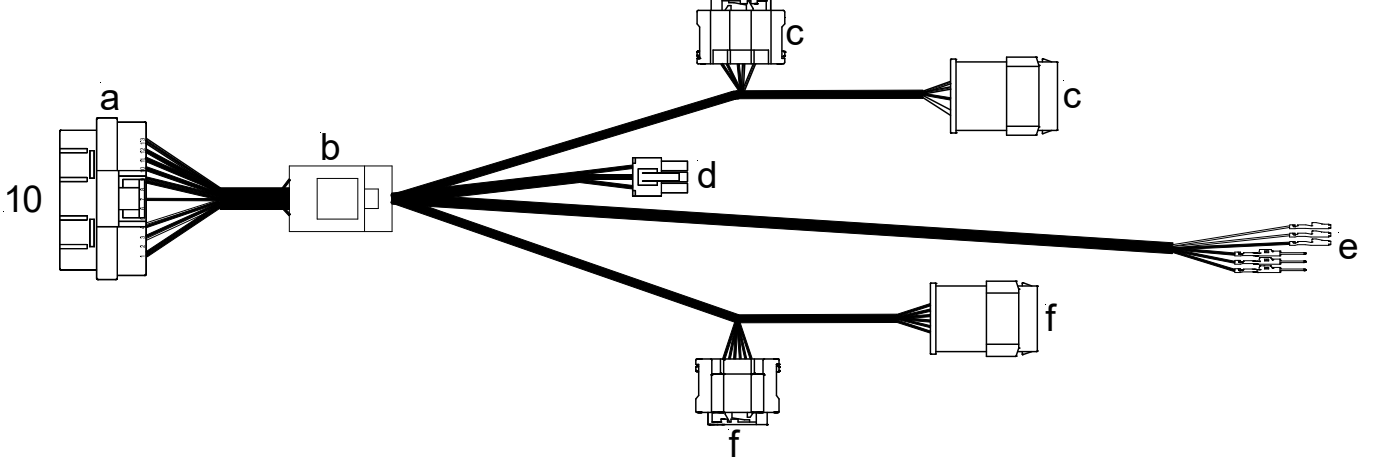
3 OR



4
5
6
7
8



OR



10