

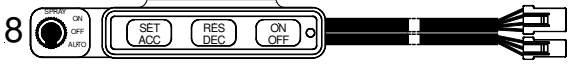
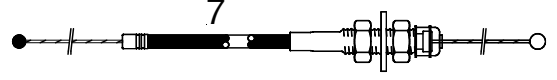
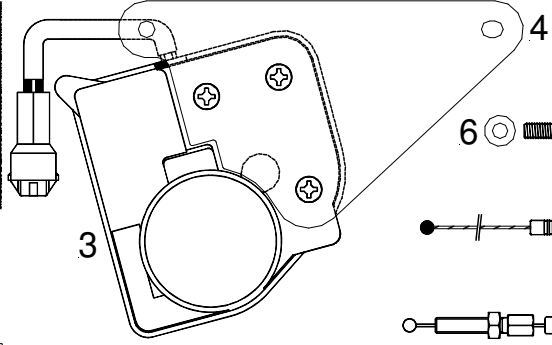
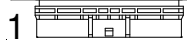
HONDA SXS 500 Pioneer

Parts list for MCS 2620

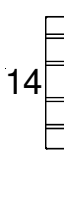
<u>Item</u>	<u>Qty</u>	<u>Part Number</u>	<u>Description</u>
1	1	MCS 8000C	Computer
2	2 lengths		Velcro mounting tape (2 x 7cm pieces)
		<u>MCS 2622</u>	<u>Electric Throttle Servo assembly</u>
3	1	MCS 810	Electric throttle servo
4	1	MCS 2622A	Servo mounting bracket
	3		M6 x 10 pan head screws
	3		6mm spring washers
5	2		M6 x 25 high tensile bolts
6	2		6mm flat washers
7	1	MCSAC 850	Throttle servo cable
8		<u>ATVSw MCS 221+SS</u>	<u>Control Switch assembly with OPTIONAL spray switch</u>
	1	MCS 822-90	Control Switch
	4		4 gauge x 1/2" pan head self-tap screws
	1	MCS 2624-835J	Switch bracket with spray switch
	1	MCS 823-90	Spray switch
		<u>OR</u>	
9		<u>ATVSw MCS 221</u>	<u>Control Switch assembly without spray switch</u>
	1	MCS 822-90	Control Switch
	4		4 gauge x 1/2" pan head self-tap screws
	1	MCS 2624-836J	Switch bracket without spray switch
10	2		M4 x 12 pan head screws
11	4		4mm flat washers
12	2		M4 Nyloc nuts
13	2		8g x 3/8 pan head self-tap screws
14	1	<u>MCS 2621</u>	<u>Wiring harness</u>
a			Computer plug (26 pin)
b			Cruise Control Power Fuse (3 amp fuse)
c			Speed sensor connectors MCS2621 (blue/black wires)
c1	HX6189-0940 + 6918-1979		Housing and retainer for above
d			Throttle servo connector (4 way)
e			Brake switch connectors (orange and grey wires)
f			Neutral sensor connectors (green wires)
f1	HW6189-0386 + 6918-0698		Housing and retainer for above
g			Ground connector (black wire)
h			Control switch plugs (6 way)
i			Spray switch plug (3 way plug for optional Spray switch)
j			Connectors for optional Spray power harness(pink & blue wires)
		<u>OPTIONAL</u>	
		<u>MCS 2620SPK</u>	<u>Spray Power Kit</u>
15	1	MCS 2621SPH	Spray Power Harness
	1	JD 046	Spray Power Plug
	2	H 3555	Terminals for above
	2		8g x 3/8 self-tapping screws (power plug mount)
	1		M5 x 16 pan head screw (relay mount)
	1		5mm flat washer (relay mount)
	1		M5 Nyloc nut (relay mount)

16		<u>MCS 2625</u>	<u>Cable Interface Unit (CIU) assembly</u>
17	1	MCS 2625A	CIU housing
18	1	MCS 003M	Throttle servo spool
19	1	MCS 2626B	Throttle cable spool
20	1	MCS 2626A	Carburettor (throttle body) cable spool
21	1	MCS 003H	Bush
22	1	MCS 003K	End Cap
23	1		M5 x 45 bolt - pivot bolt
24	2		5mm plated flat washer
25	1		Pivot nut M5 Nyloc nut
26	1		M4 x 6 pan head screw (throttle servo cable retainer)
27	1	MCS 2625B	Mounting bracket
28	2	HoseClamp20	Hose Clamp 21-44mm
29	1	MCSCC 300	Carburettor cable (throttle body cable)
	1 bottle		Throttle cable oil
	10		1500mm cable ties
	10		200mm cable ties
	10		300mm cable ties

Information, Set up and Operation Manual
Operation and User Manual
Installation Manual
Trouble shooting guide



10 11 12 13



a

b

c

c1

d

e

f

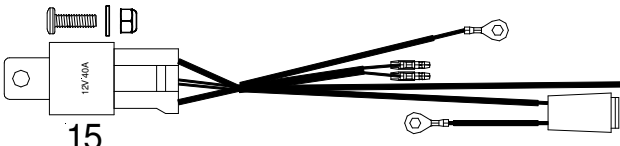
g

h

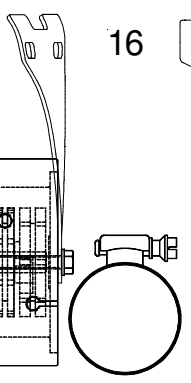
h1

j

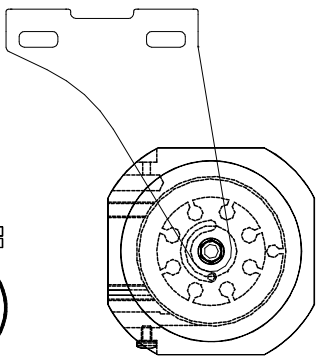
k



15



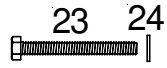
16



28

27

17



23

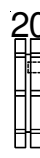
24



22



21



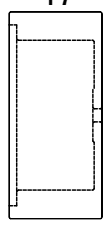
20



19



18



26

24

25