

**HONDA TRX 420 FourTrax Rancher, TRX500 & TRX520 FourTrax Foreman**  
**Parts list for MCS 2580-420, 500 or 520 (vehicle with speedo) manual or electric/auto shift**  
**Parts list for MCS 2580S-420 (vehicle without speedo) manual shift**

<b>Item</b>	<b>Qty</b>	<b>Part Number</b>	<b>Description</b>
1	1	MCS 8000C	Computer
2	2 lengths		Velcro mounting tape (2 x 7cm pieces)
		<u>MCS 2582</u>	<u>Electric Throttle Servo assembly</u>
3	1	MCS 850	Electric throttle servo
4	1	MCS 850C	Servo nose
5	3		M5 x 12 pan head screws
6	1		3/4" x 3/32" (19 x 3mm) 'O' ring
7	1	MCS 850B	Cable sealing boot
8	2	HoseClamp40	Hose clamp 52~76mm
9	16cm		Foam tape
10	1	MCSSC 360	Throttle servo cable
11	2	MCS 054	Wire ring cable retainer (1 spare)
		<u>MCS 2484+SS</u>	<u>Control Switch assembly with spray switch</u>
12	1	MCS 822-160	Control Switch
	4		4 gauge x 1/2" pan head self-tap screw
	1	MCS823-160	Spray switch
13	1	MCS 835A	Switch bracket with spray switch (electric shift)
<b><u>OR</u></b>			
14	1	MCS 835E	Switch bracket with spray switch (manual shift)
		<u>MCS 2484</u>	<u>Control Switch assembly without spray switch</u>
15	1	MCS 822-160	Control Switch
	4		4 gauge x 1/2" pan head self-tap screw
16	1	MCS 836A	Switch bracket without spray switch (electric shift)
<b><u>OR</u></b>			
17	1	MCS 836E	Switch bracket without spray switch (manual shift)
		<u>MCS 2580SPK</u>	<u>Spray Power Kit</u>
18	1	MCS 2581SPH	Spray Power Harness
19	1	JD 046	Spray Power Plug
20	2	H 3555	Terminals for above
21	3		8g x 3/8" self-tapping screws (for relay & power outlet)
22	1	<u>MCS 2581</u>	<u>Wiring harness (MCS2580A kit only)</u>
OR	1	<u>MCS 2583</u>	<u>Wiring harness (MCS2580M &amp; E kits only HX040)</u>
OR	1	<u>MCS 2587</u>	<u>Wiring harness (MCS2580M &amp; E kits only) HX060</u>
OR	1	<u>MCS 2583S</u>	<u>Wiring harness (MCS2580S kit only)</u>
a			Computer plug (26 pin)
b			Cruise Control Power Fuse (3 amp fuse)
c			Speed sensor connectors MCS2581&3&7 (blue/black wires)
c1	HX6189-0940 + 6918-1979		HX040Housing and retainer for above
NOTE: - Heat shrink tube supplied for kits with HX060 connectors			
d			Speed sensor connector MCS2583S (3 way)
e			Throttle servo connector (4 way)
f			Brake switch connectors (orange and grey wires)
g			Neutral sensor connectors MCS2581 (green wires)
h			Neutral sensor connectors MCS 2583 &S (green wires)
h1	HW6189-0386 + 6918-0698		Housing and retainer for above

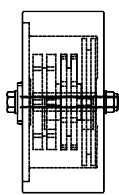
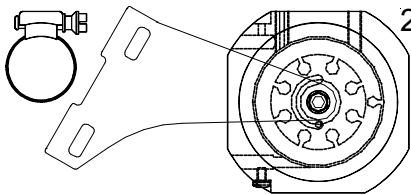
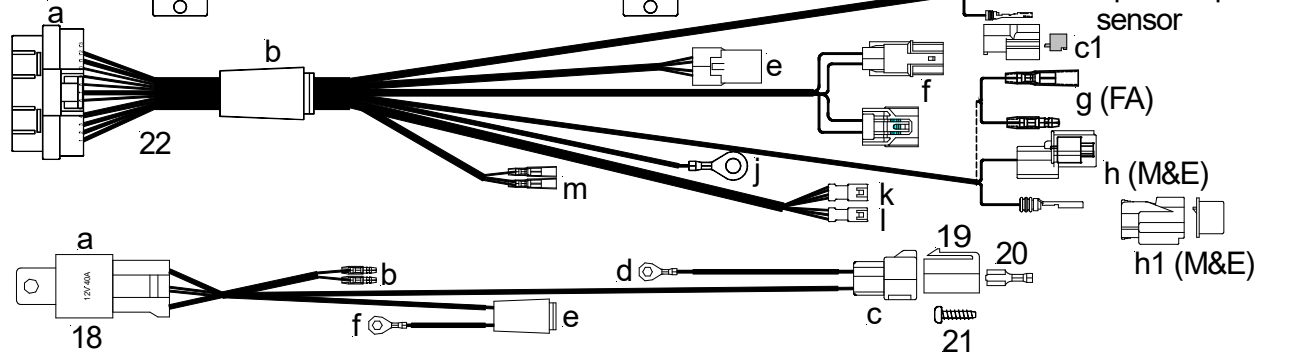
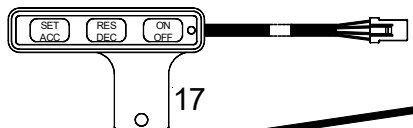
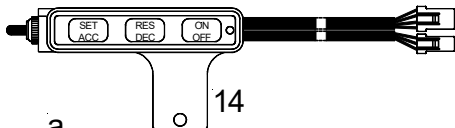
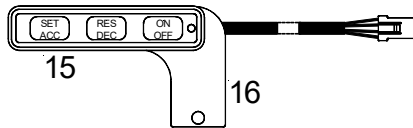
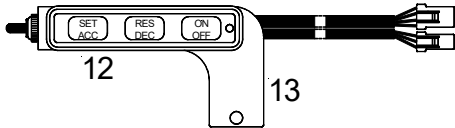
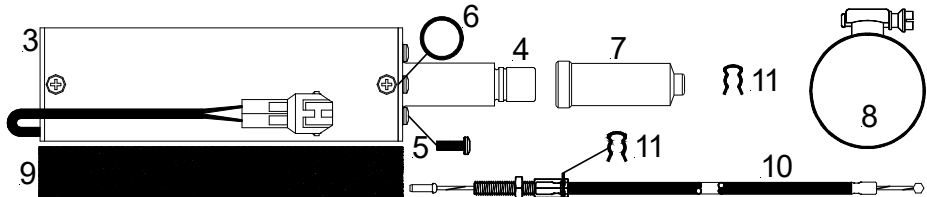
j Ground connector (black wire)  
k Control switch plugs (6 way)  
l Spray switch plug (3 way plug for optional Spray switch)  
m Connectors for optional Spray power harness(pink & blue wires)

23		<u>MCS 2585</u>	<u>Cable Interface Unit (CIU) assembly</u>
24	1	MCS 2585A	CIU housing
25	1	MCS 003M	Throttle servo spool
26	1	MCS 2586B	Throttle cable spool
27	1	MCS 2586A	Carburettor (throttle body) cable spool
28	1	MCS 003H	Bush
29	1	MCS 003K	End Cap
30	1		M5 x 45 bolt - pivot bolt
31	2		5mm plated flat washer
32	1		Pivot nut M5 Nyloc nut
33	1		M4 x 6 pan head screw (throttle servo cable retainer)
34	1	MCS 2585B	Mounting bracket
35	2	HoseClamp16	Hose Clamp 21-38mm
36	1	MCSCC 250	Carburettor cable (throttle body cable)
		<u>MCS 2584</u>	<u>Speed Sensor assembly (MCS2580S kit only)</u>
37	1	MCS 076	Speed sensor
38	1	MCS 2474A	Speed sensor bracket
39	1		M6 x 16 bolt
40	2		6mm flat washers
41	1		M6 Nyloc nut
42	1	HoseClamp36	Hose Clamp 46-70mm
43	1	MCS 2589A	Tone wheel backing plate
44	2	MCS 2589B	Tone wheel segments
45	4		M6 Hex Couplers
46	8		M6 x 12 bolts
47	16		6mm flat washers
	8		300mm cable ties
	2		6mm x 19mm flat washers (TRX500/520 only)
	1 bottle		Throttle cable oil
	10		100mm cable ties
	10		150mm cable ties
	15		200mm cable ties

Information, Set up and Operation Manual  
Operation and User Manual  
Installation Manual  
Trouble shooting guide



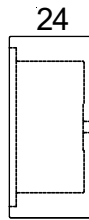
1 2



30 31



28



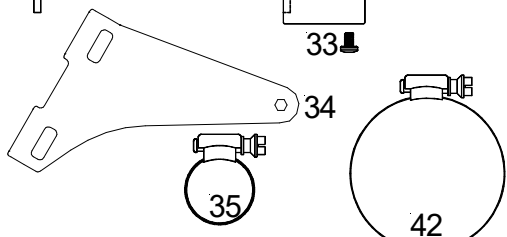
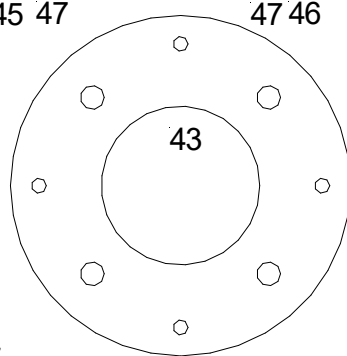
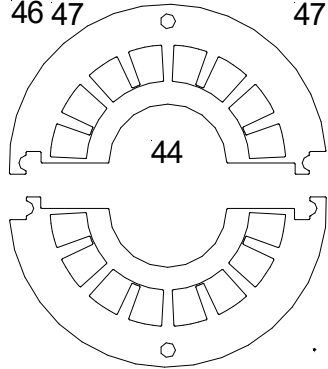
31 32

33

46 47

47 45 47

47 46



35

42



39 40

40 41

