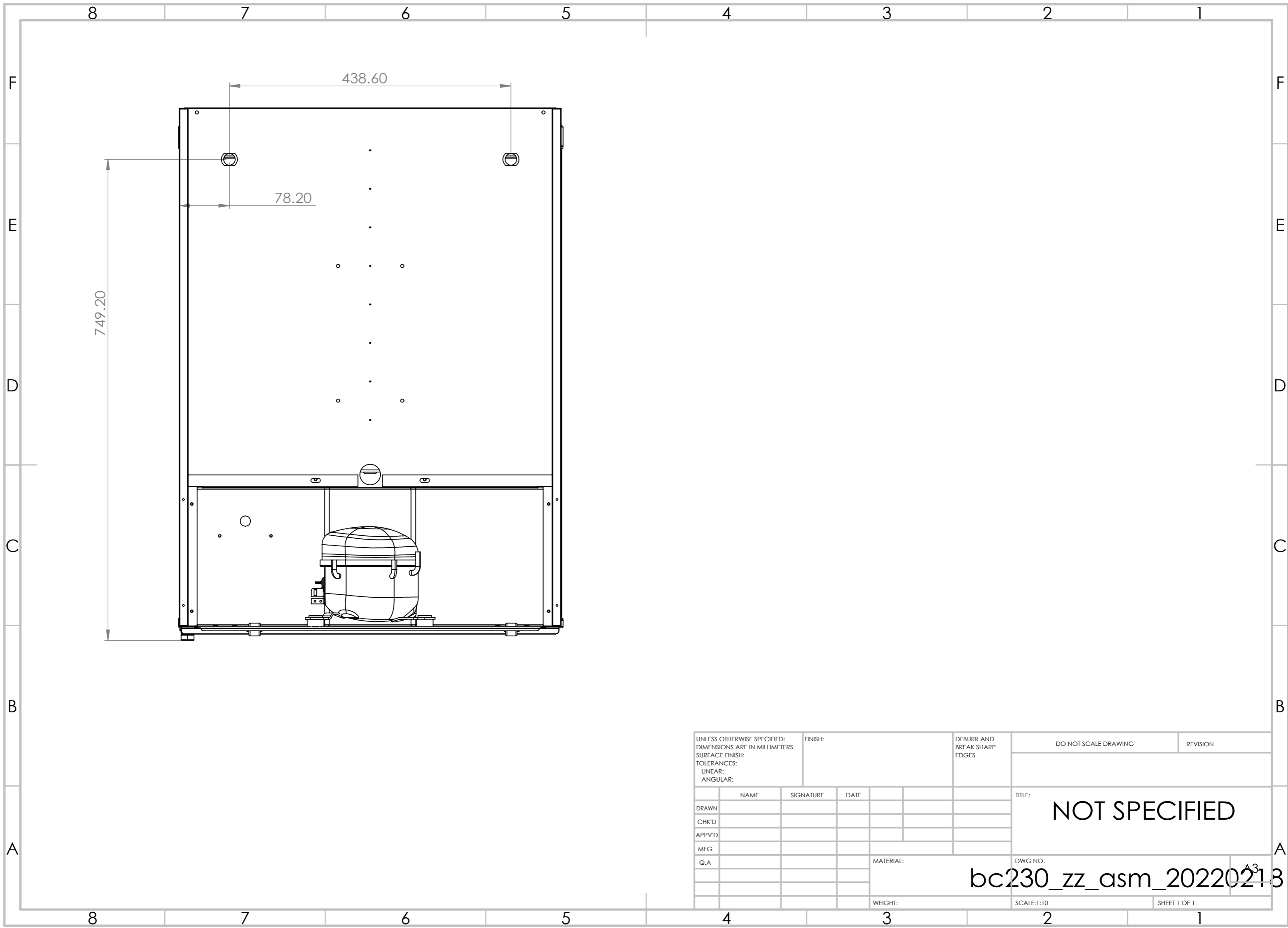
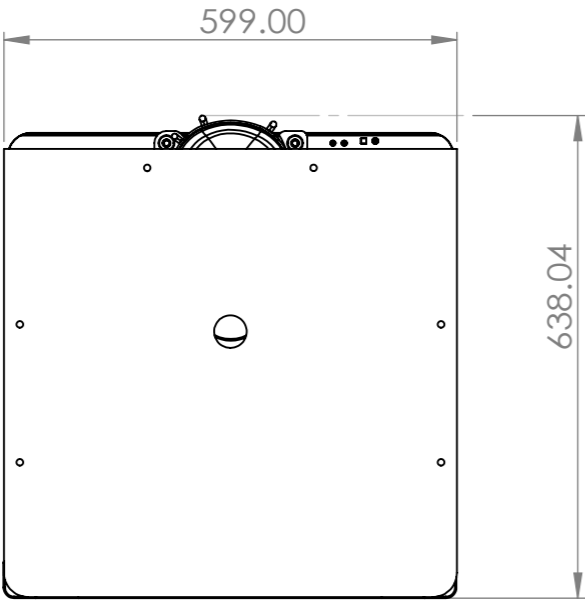
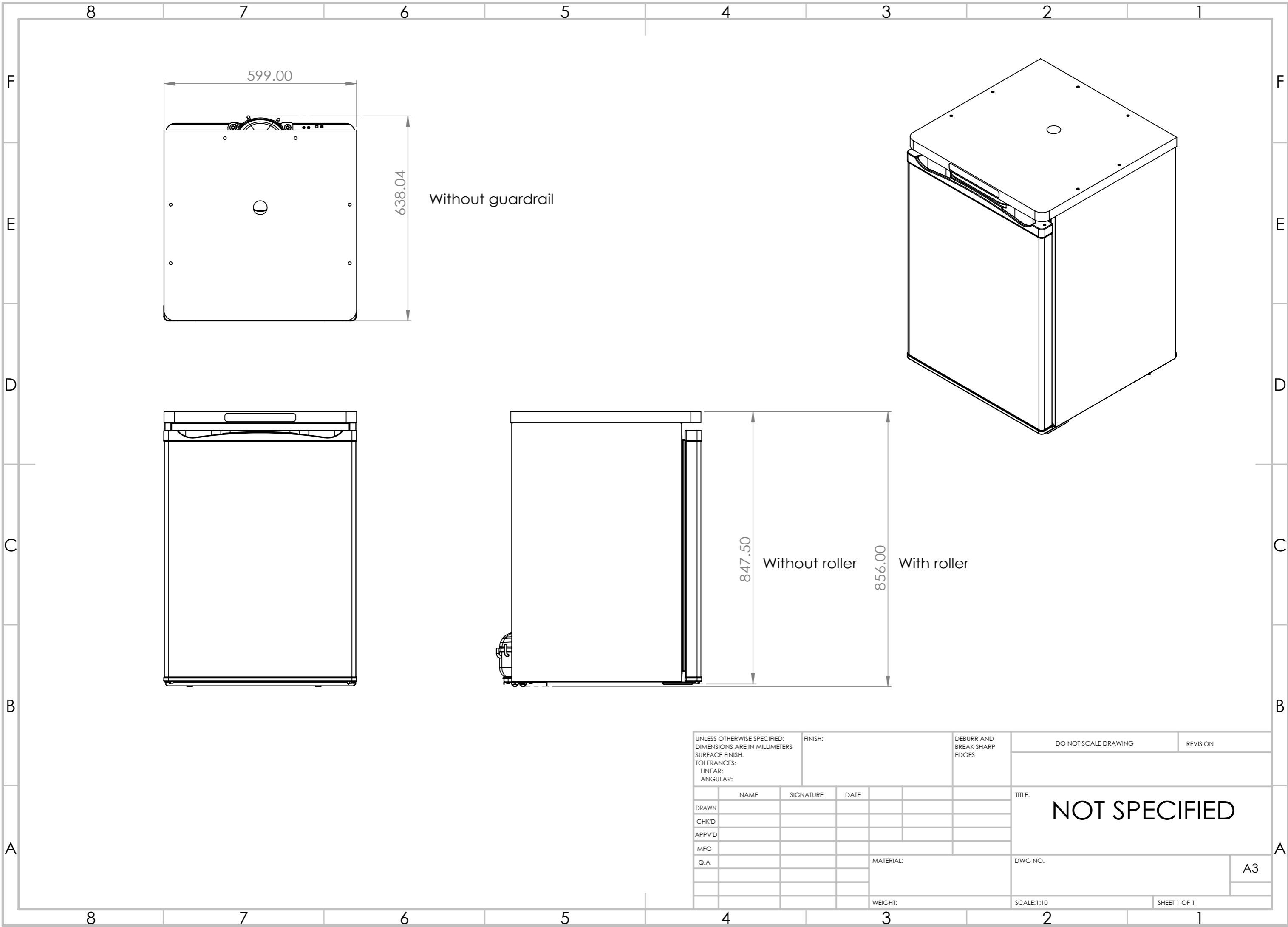


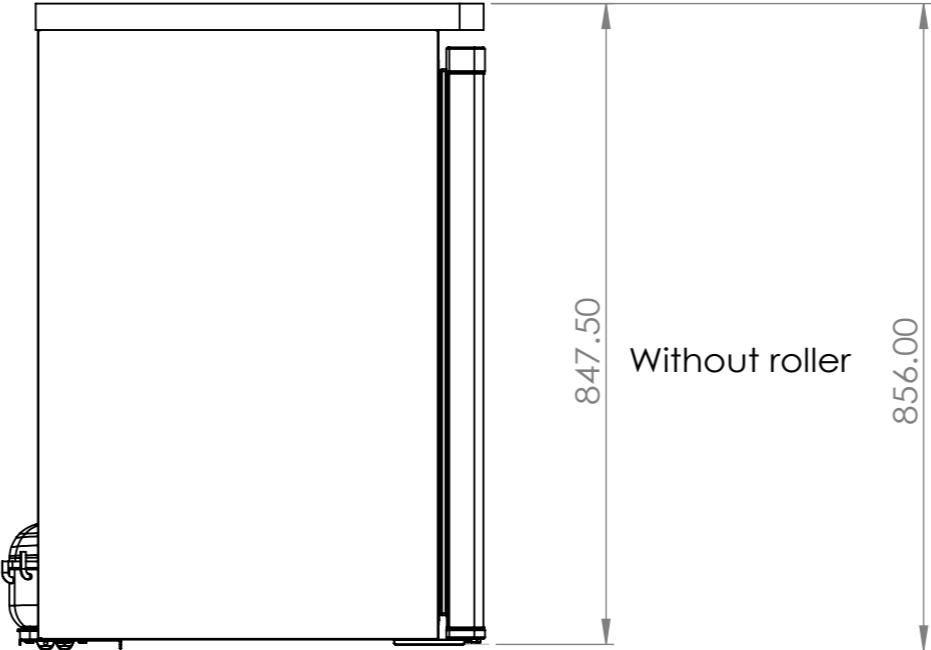
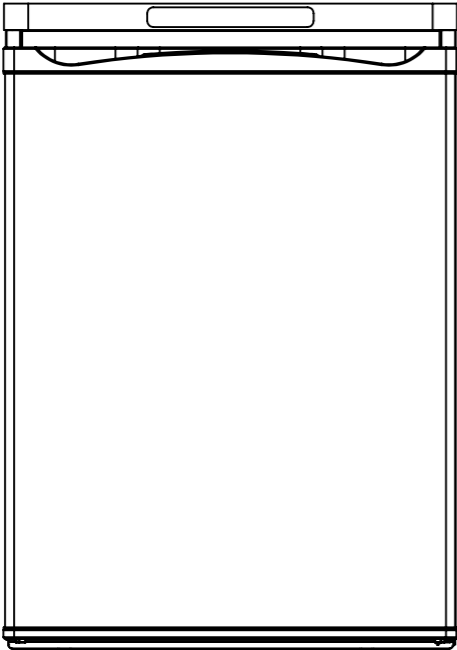
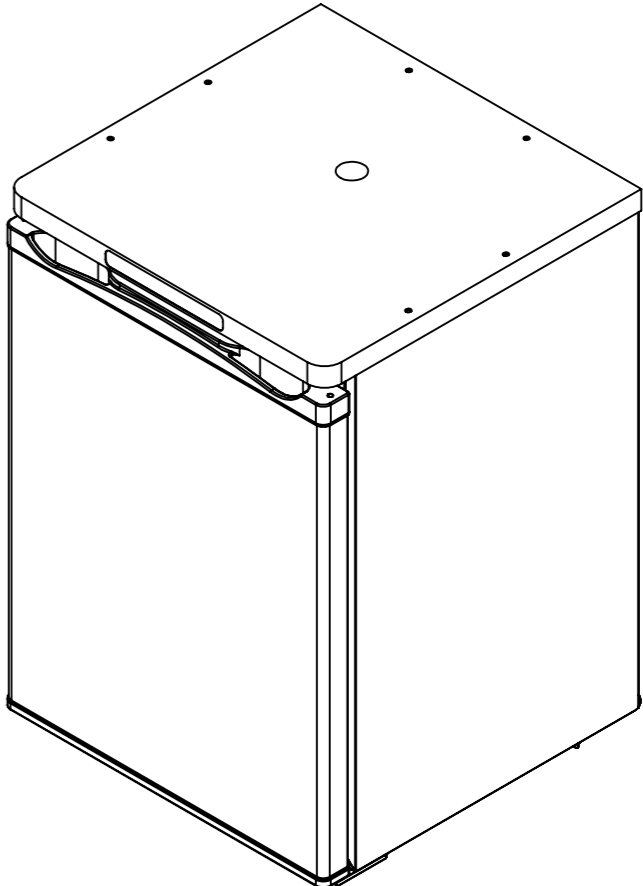
UNLESS OTHERWISE SPECIFIED: DIMENSIONS ARE IN MILLIMETERS		FINISH:		DEBURR AND BREAK SHARP EDGES		DO NOT SCALE DRAWING		REVISION	
SURFACE FINISH:									
TOLERANCES:									
LINEAR:									
ANGULAR:									
	NAME	SIGNATURE	DATE			TITLE: NOT SPECIFIED			
DRAWN									
CHK'D									
APPV'D									
MFG									
Q.A						MATERIAL:		DWG NO.	
								XL internal	
						WEIGHT:		SCALE:1:10	
								SHEET 1 OF 1	
								A3	



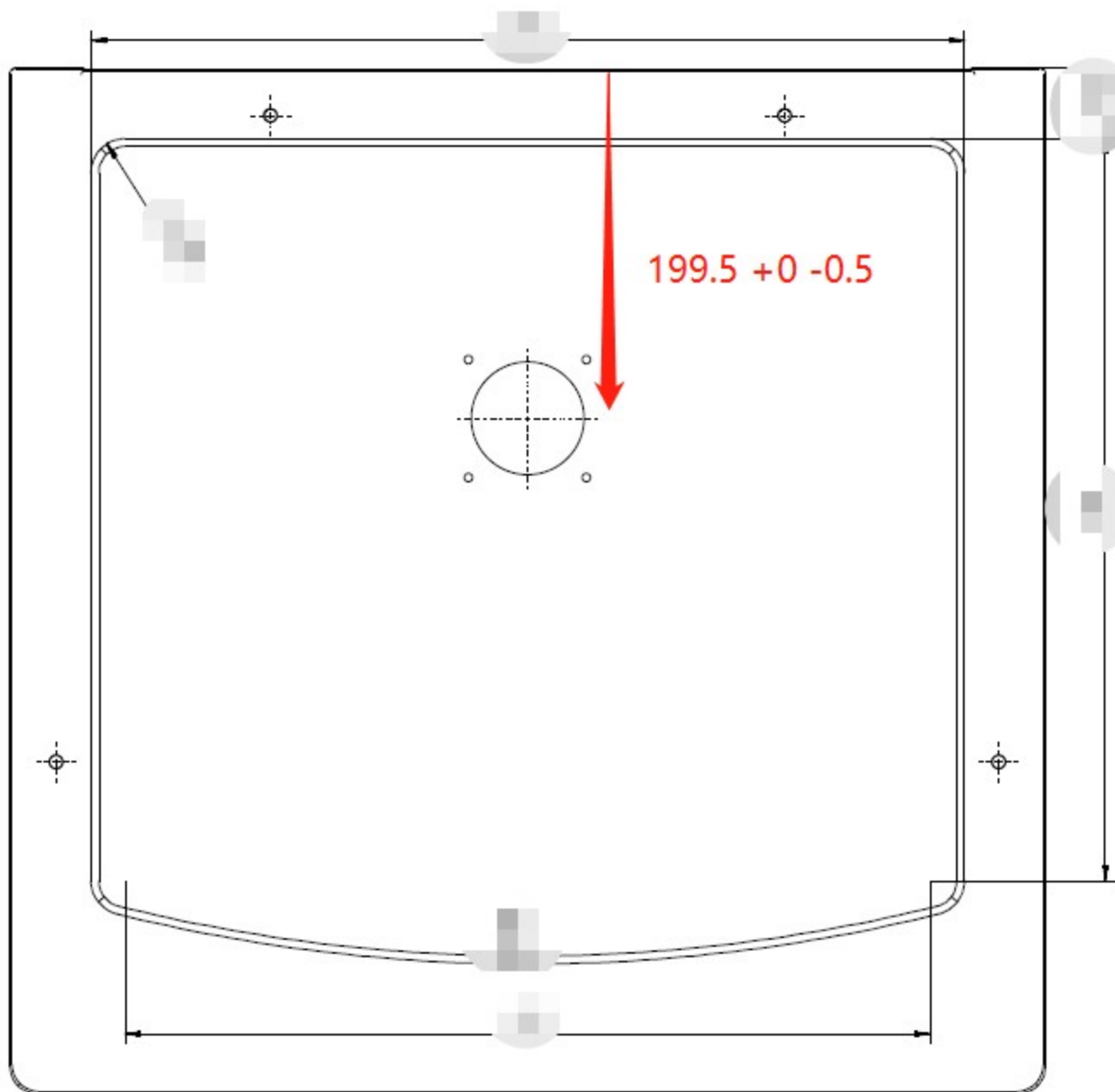
UNLESS OTHERWISE SPECIFIED: DIMENSIONS ARE IN MILLIMETERS			FINISH:		DEBURR AND BREAK SHARP EDGES		DO NOT SCALE DRAWING		REVISION	
SURFACE FINISH:										
TOLERANCES:										
LINEAR:										
ANGULAR:										
	NAME	SIGNATURE	DATE				TITLE: NOT SPECIFIED			
DRAWN										
CHK'D										
APPV'D										
MFG										
Q.A										
					MATERIAL:		DWG NO. bc230_zz_asm_20220213		A3	
					WEIGHT:		SCALE:1:10		SHEET 1 OF 1	

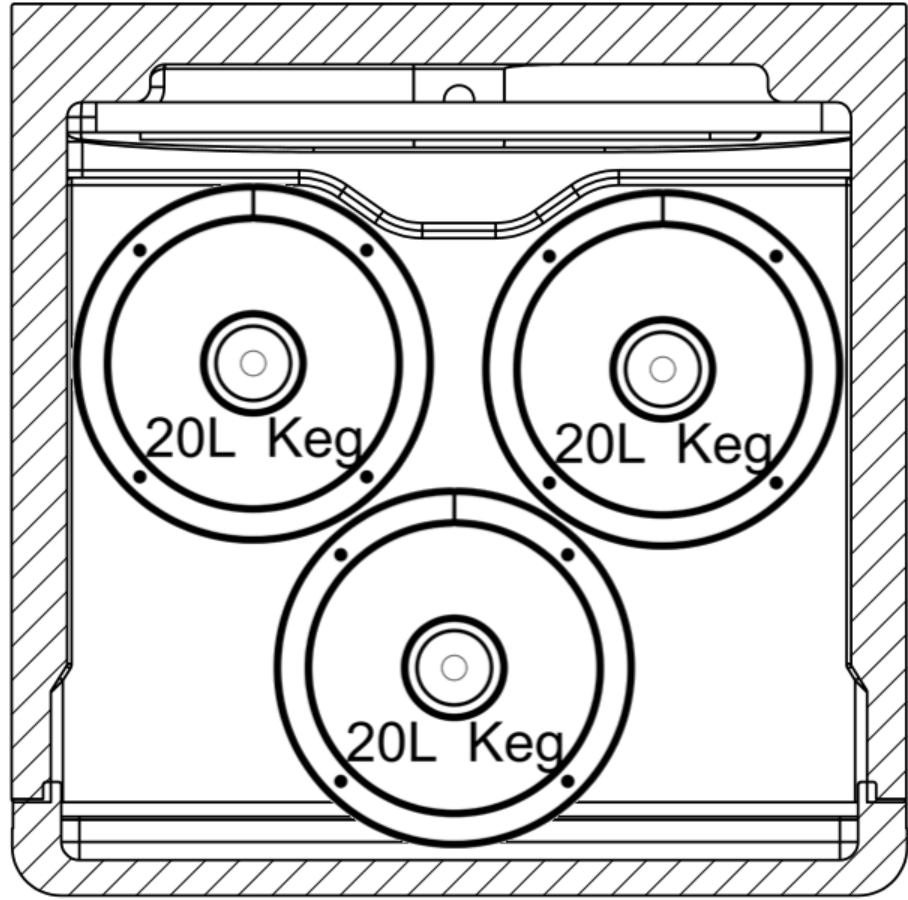


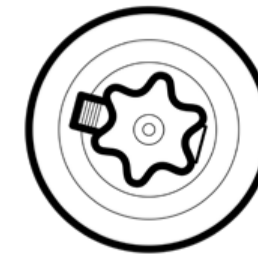
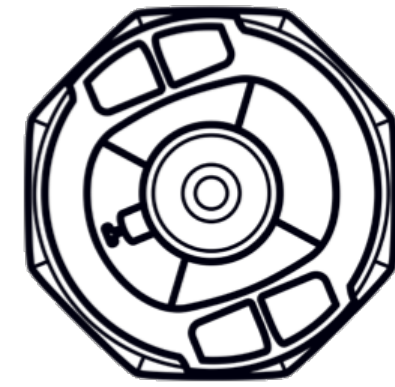
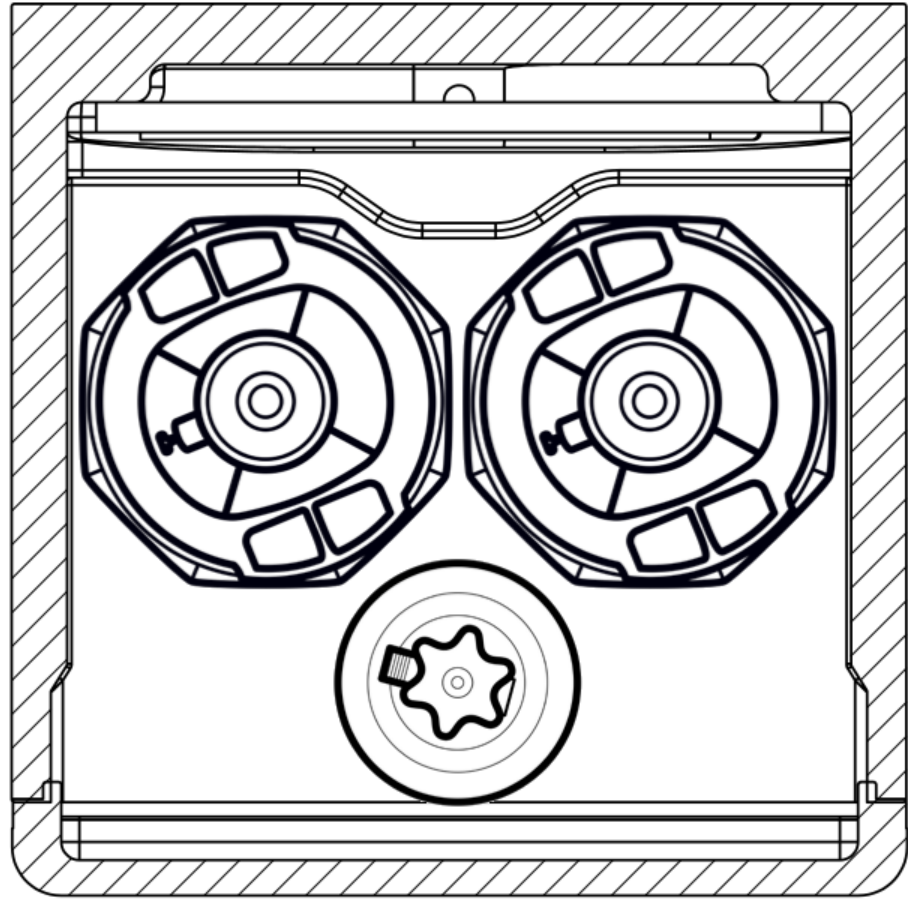
Without guardrail

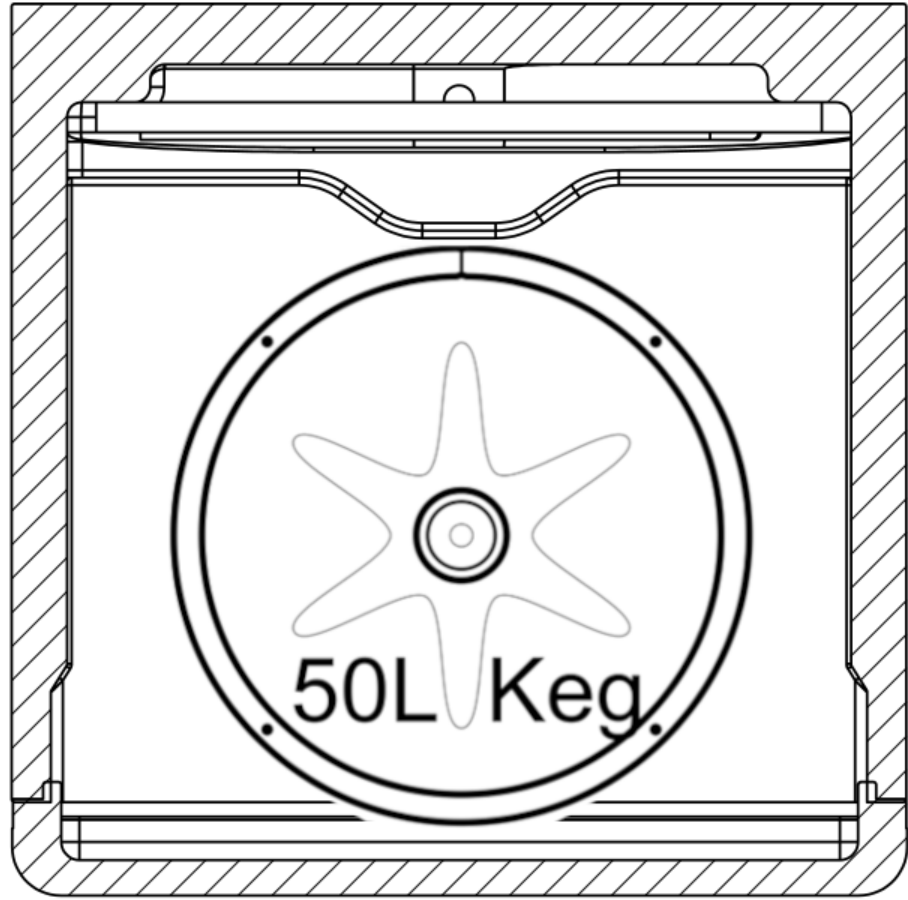


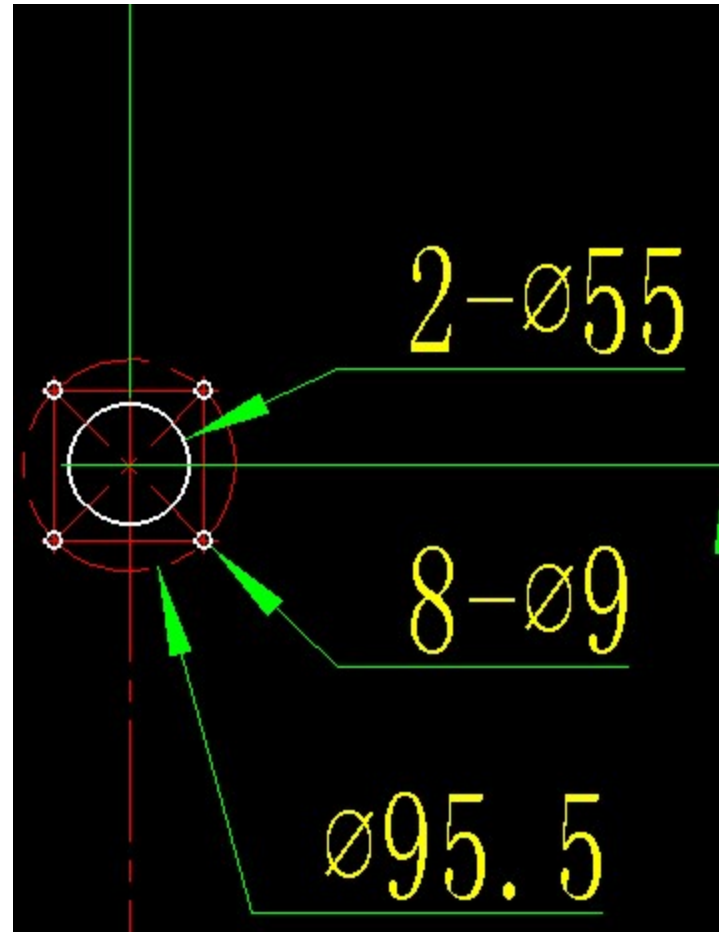
UNLESS OTHERWISE SPECIFIED: DIMENSIONS ARE IN MILLIMETERS SURFACE FINISH: TOLERANCES: LINEAR: ANGULAR:			FINISH:		DEBURR AND BREAK SHARP EDGES		DO NOT SCALE DRAWING		REVISION		
							TITLE: NOT SPECIFIED				
DRAWN			NAME		SIGNATURE		DATE		DWG NO.		
CHK'D									A3		
APPV'D									SCALE:1:10		
MFG									SHEET 1 OF 1		
Q.A							MATERIAL:		WEIGHT:		







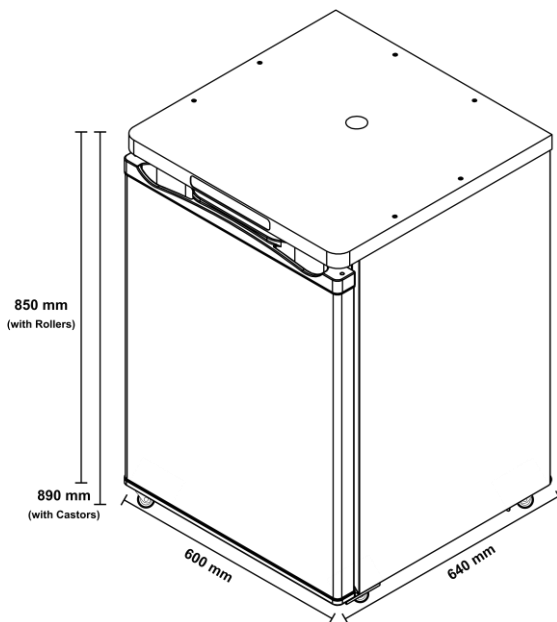




Troubleshooting

Issue	Remedy
Ice or frost forming inside the unit	See the “Defrosting the KegMaster™ XL” section
Ice forms too regularly	If excess ice forms too regularly: <ol style="list-style-type: none"> 1. Avoid opening the door unnecessarily. Opening the door introduces moist air that condenses and forms ice. 2. Ensure there are no gaps in the door seal that may allow ingress of moist air. 3. Ensure fonts and / or the font hole are well sealed from moist air ingress (especially with under-bench installs). 4. If the above has not helped, set the temperature to a slightly higher temperature. Colder temperatures increase moisture condensation and freezing.
Beers pour with excess foam	Please see our article on reducing beer foam https://www.kegking.com.au/blog/post/help-my-taps-pouring-foam
Unit has no power	Check that your power outlet is working with another appliance
Unit is not cooling	Ensure you have 100mm clearance behind and on both sides of the unit
Excessive noise	Ensure there is nothing obstructing the fan
For other issues or if the above remedies do not solve the issue, contact info@keg-king.com.au	

Specifications



Height:	850 mm with rollers 830 mm without rollers 890 mm with castors
Width:	600 mm
Depth:	640 mm
Internal Height:	724.9 mm
Internal Width:	511.9 mm
Internal Depth:	405.1 mm
Volume:	160 L
Weight:	43 Kg
Power:	220-240V 50Hz
Climate Class:	T
Refrigerant:	R600a (40g)
Insulation:	Cyclopentane