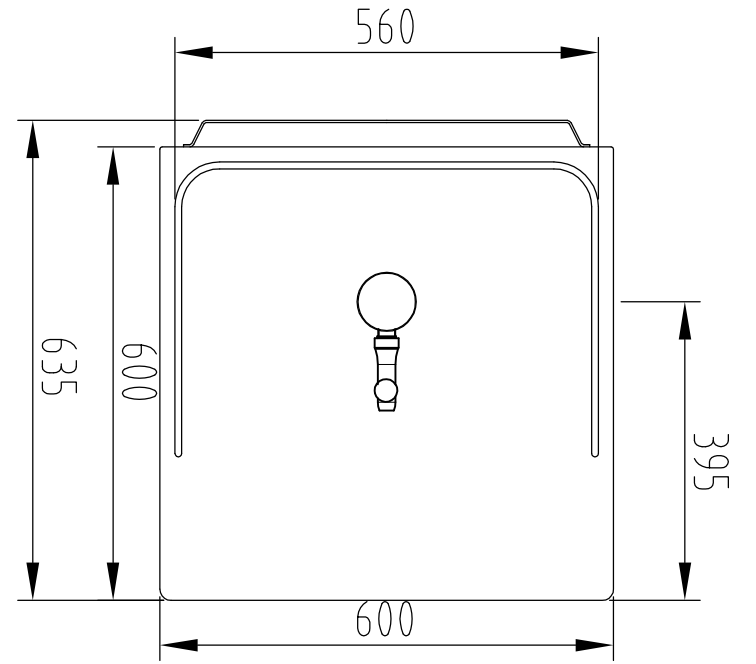
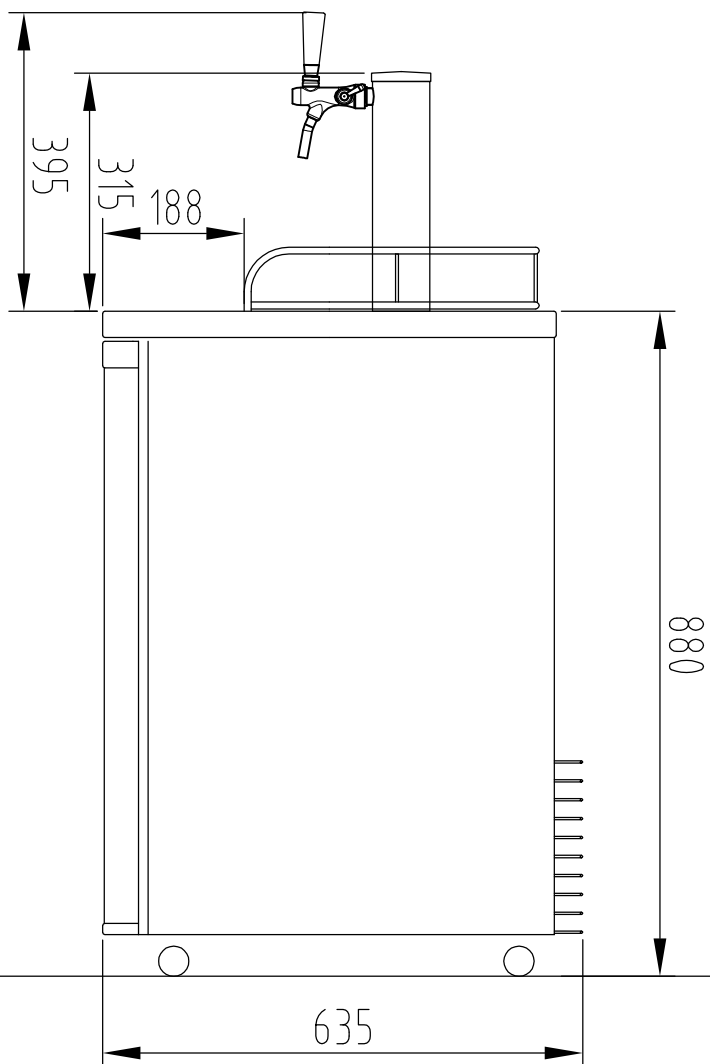


Side Elevation
With CO2 Cylinder Mounted

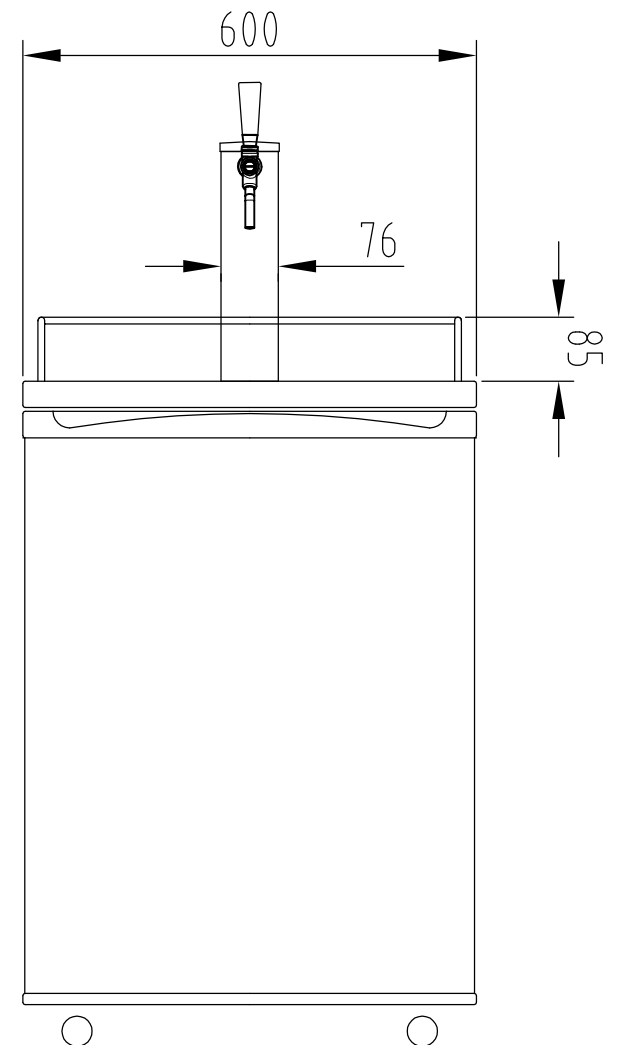


Plan View



Side Elevation
Without CO2 Cylinder Mounted

NB: Unit is 35mm lower with the wheels removed



Front Elevation