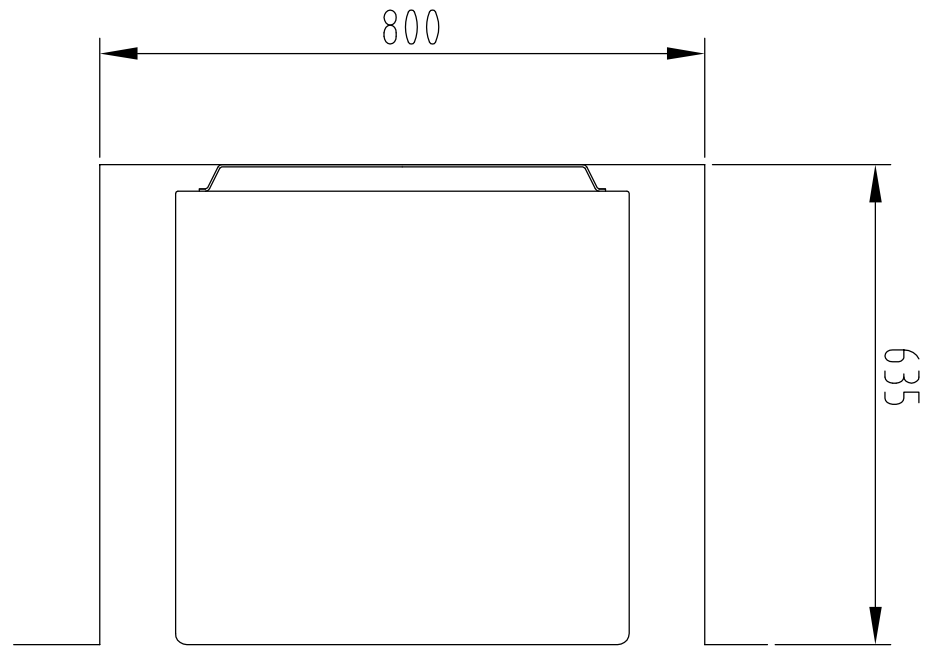
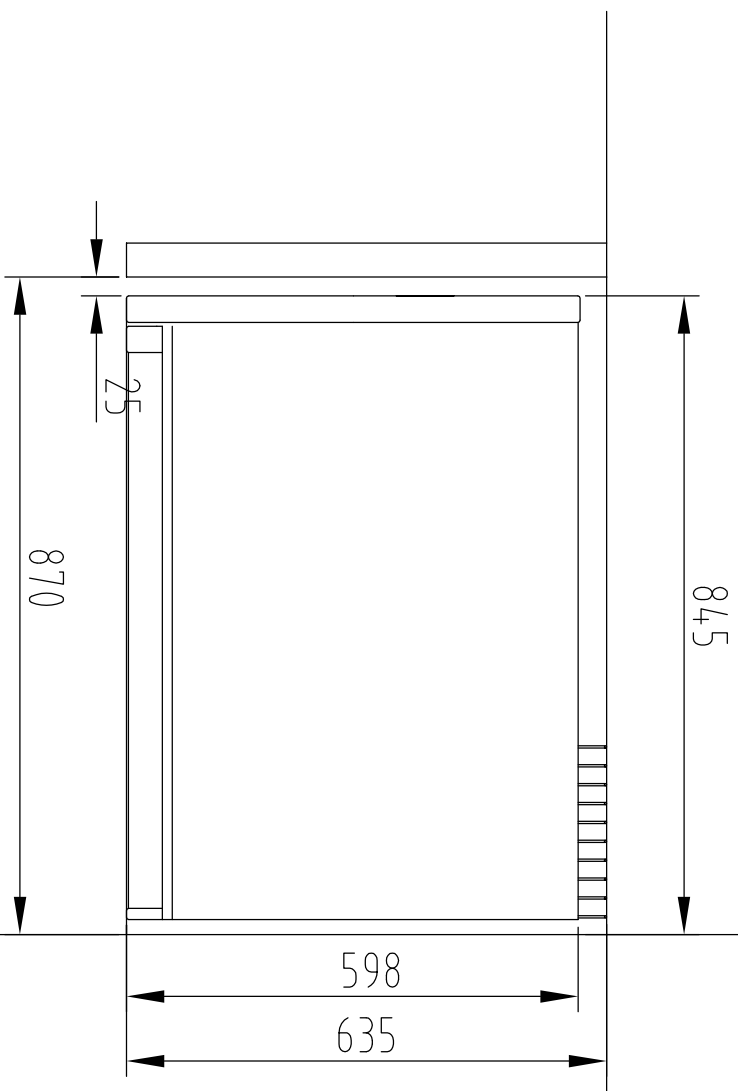


Plan View

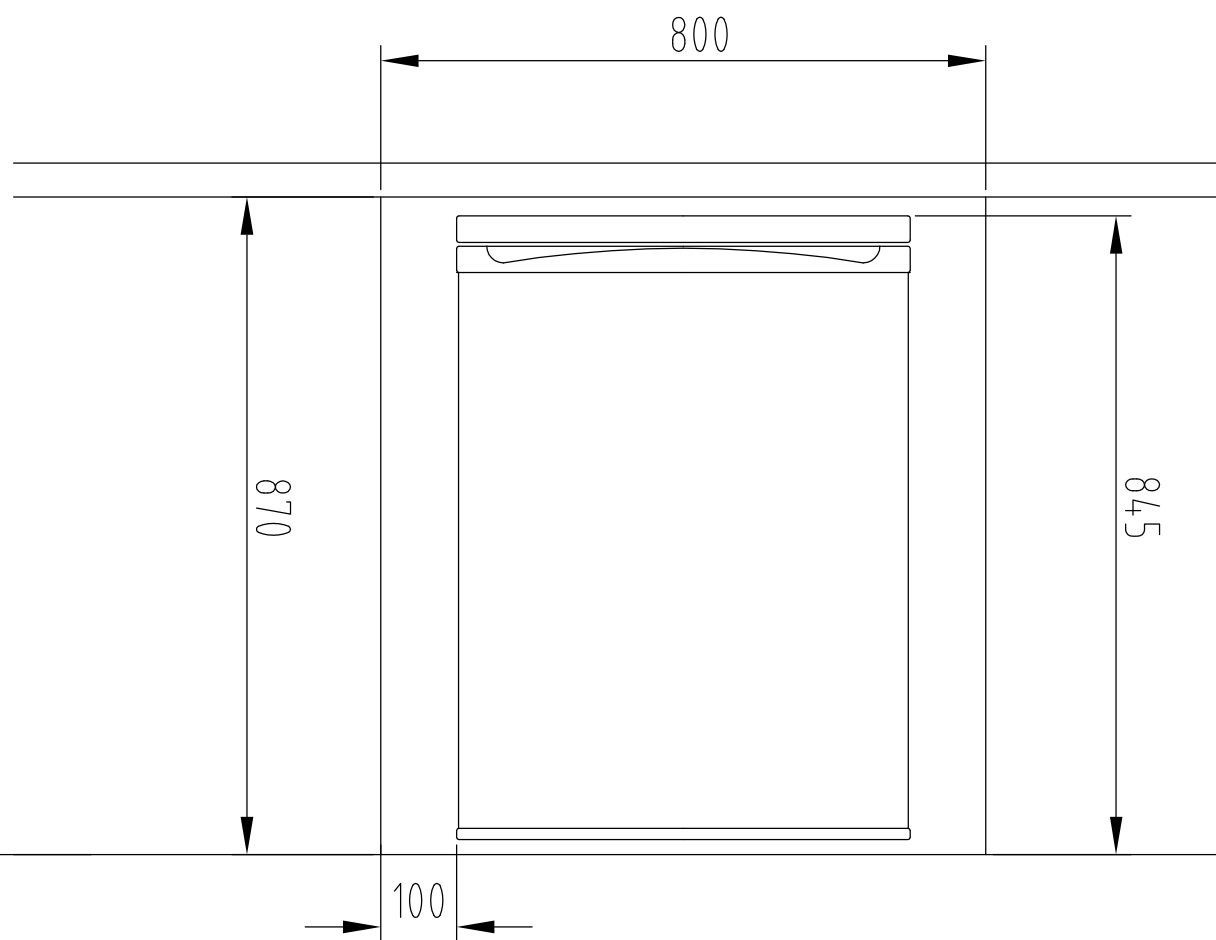


Plan View

NB: Unit is 35mm higher with the wheels installed



Under Counter Side Elevation



Under Counter Front Elevation