

CE

Operating Instructions



Nursing Bathtub SWING

Table of Contents

Chapter	Page
Preface	3
Safety instructions	4
Where the SWING bathtub can be utilized	5
Scope of delivery	5
Transportation	5
Standard equipment	6
Installation	7-8
Thermostat	9
Electrical connection	10
SWING models	11
Product overview	12-13
Swing - Step by Step	14-18
Service and warranty	19
Functions of the touch-control panel	20-27
Cleaning the SWING bathtub	28
Disinfection facility	29-30
Technical data	30-34
Equipment data	35-43

Dear Customer,

We would like to thank you for your confidence in the Horcher Bathing Systems and congratulate you on buying a SWING bathtub.

Please read this manual carefully and familiarize yourself with the instructions mentioned in this manual.

The SWING sitting/lying bathtub is an excellent alternative to conventional bathing systems; it enables entry from the side and possesses electric lowering and tilting apparatus. The bathtub offers safety and comfort when bathing to those needing care and supports staff during daily care.

The SWING bathtub is characterized by gentle, formfitting contours with comfortable head support. In the tilted position, the patient is optimally supported and the caregiver can look after the patient without unnecessary strain. At the push of a button, the bathtub tilts to the desired working height, thus preventing additional back strain. The air jet system is stimulating and relaxing. The gears for the lifter are situated in the concavity of the base, thus allowing the patient to be optimally positioned in the bathtub.

These operating instructions apply to all "SWING" models from the date of manufacture 05/2018 (see type plate) or all models with 7" touch-control-panel.

Safety Instructions

Please acknowledge the following safety instruction carefully!

- ! Before utilizing the bathtub SWING please familiarize yourself with the operating instructions. It is essential that every user has knowledge of the operating instructions before utilizing the SWING bathtub.
- ! Do not operate the SWING bathtub if you notice any kind of defect.
- ! Only authorized and experienced personal from the Horcher GmbH are allowed to repair the SWING bathtub.
- ! Utilizing the bathtub other then described or using unauthorized accessories is prohibited.
- ! Not following one or more of the above mentioned instruction will void any warranties and guarantees through the Horcher GmbH.
- ! Don't use any kind of coarse scouring powder! This will damage or scrape the surface of the bathtub.
- ! Never use a dry cloth to remove the dust always use a damp cloth.
- ! The max. permissible body weight is 150 kg. Extending the max weight continuously can result in damaging the motor.
- ! With a body weight of 150 kg in the empty SWING bathtub we can ensure that a stable setting is assured. If the patient weights more, then there is no stability and the bathtub could tilt.
- ! Do not lower, raise or tend the SWING bathtub if the patient is not seated safely and correctly.
- ! Before entering the bathtub, the water temperature must be checked by hand.
- ! After completion of the bathing process, the tub must be moved to the lower end position (height adjustment).

Where the SWING bathtub can be utilized

Horcher GmbH has developed and manufactures patient care aids like hoists and bathing systems for over 30 years. This family business has evolved in this time into one of the most respected and innovative companies in its sector.

The constant desire to make safe and technically advanced aids for people with physical limitations and the elderly, has made Horcher worldwide, one of the leading manufacturers.

Horcher offers German quality, safety and trust in modern technology.

Please read this instruction booklet carefully and become familiar with the operating and technical instructions as well. It is essential that you acquire the knowledge of handling the SWING bathtub.

Scope of delivery

- 1x fully assembled bathtub
- 1x shower hose
- 1x hand shower
- 4x adjustable feet
- 2x steel flexible hose for the cold and hot water connection
- 1x drain hose
- 1x operating instruction
- 1x warranty card

Transportation

During the transportation through a forwarding agent please assure that the SWING bathtub is not in danger of being damaged from rough handling, sharp corners from other merchandise, and so on. The SWING bathtub should only be covered with soft materials such as blankets and papers. Do not drop any hard parts in the bathtub this might cause damage to the surface.

Standard equipment SWING bathtub

- electrical lifting, lowering and tilt function
- 7" Touch-Control-Panel for operating the bathtub function
- 3 integrated temperature sensors for reasons of monitoring of the inlet and bathtub temperature
- capacitive water level sensors for reasons of control of the automatic filling heights
- complete pipe system in 5-layer composite tube Uponor (*DVGW* [German association for gas and water] tested)
- thermostat battery, chromed
- bathtub inlet, controlled via servo solenoid valve
- hand valve, chromed for patient shower
- patient shower with safety spiral hose and shower
- handles
- 230 VAC direct connection via splash-proof direct connection box **provided by the customer** with protection via a **FI switch with max. 30 mA**.

Installation

Please acknowledge the technical drawings and information on page 32.

Installation of the bathtub

The tub is placed on the intended installation point, considering the already installed water connections. To compensate any unevenness of the floor, the SWING bathtub is equipped with four adjustable non-slip feet.

Sanitary connections

- Water connection: Heat resisting high pressure hose each ½" for warm and cold water
- Water drainage: The floor drainage must have a DN 75 diameter with an odor trap.
- Water pressure: 2 - 6 bar
- Water supply: with a build in thermostat and separate filling valve for the bathtub and the shower to ensure patient safety.

Assembly instruction

- a) The four anti skid adjustable legs can be turned to the height you need should the floor be uneven. Please level the bathtub by applying the level to the rim of the bathtub and adjust any difference.
- b) Warm- and cold water connections.
On the back side of the bathtub you will find two ½" water hoses with attached valve nut for the connection to the water outlet in the wall.

Warm water connection = left / red

Cold water connection = right / blue

Connect the two ½" flexible hoses from the bathtub to your wall connection.

It is recommended that you install a shut off valve between your house outlet and the bathtub connection.

Important: Connect and shorten the spiral hose so as they can not bend.

Please make certain that the hose is not in the way when the bathtub is being lifted or lowered, and that the hose to the drain cannot be disconnected.

- c) About 4 weeks after the installation you have to check and fasten the nuts again. Furthermore a yearly inspection is recommended. Also the nuts should be checked at least once every month to make sure that they are tight.

A test run can be started now that everything is installed and connected. In the area where the bathtub is installed make sure all the hoses are connected properly and they can move without any interruption.

Thermostat

The temperature range is limited to 38°C by the safety lock. If a higher temperature is desired, the safety lock can be exceeded by pushing the button.

The maximum temperature is limited to 43°C by an additional safety installation.

A correction at the thermostat will be required if the temperature measured at the bathtub inlet differs from the temperature set at the thermostat.

!!! Attention!!! If the temperature setting is changing this can cause delays in the registration of the temperature gauge. Please check the water temperature after changing the setting and make sure the water has the right temperature so that the patient does not get scald or hurt in any way.

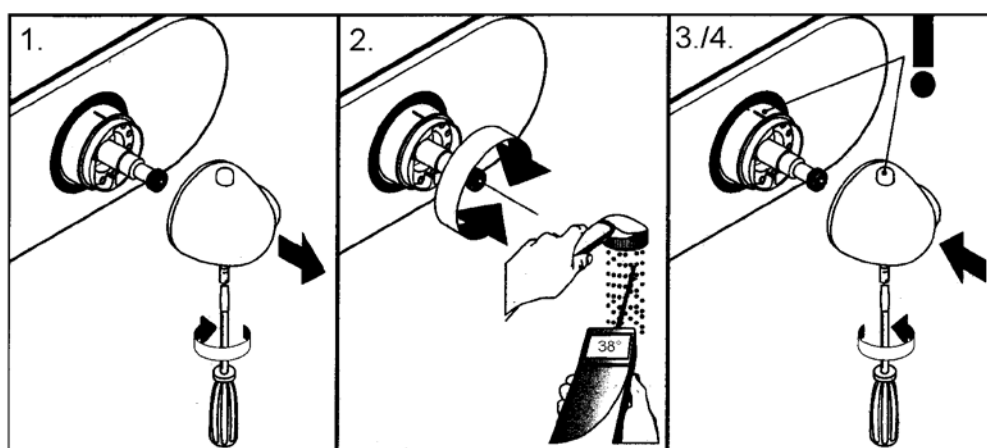
Correction of the 38°C setting must be performed as follows:

At first, open the bathtub inlet by pressing the button. 

1. Loosen the knurled screw, draw back the handle.
2. Set the water temperature at the bathtub inlet to 38°C by turning the thermostat spindle. For this purpose, use the temperature display at the bathtub or a suited external temperature measuring device.

After setting, let the water run for a few minutes and re-measure the temperature at the bathtub inlet for reasons of control. If the water temperature remains constant, continue with step 3.

3. Attach the handle with its 38°C position identically with the marking on the thermostat.
4. Tighten the knurled screw.



Electrical connection

The connection must be made via the electrical power cable of the bathtub.

The power cable is led out on the back of the tub and accordingly provided with a strain relief.

The connection must be made to an on-site splash-proof connection box, protected via a fault current circuit breaker with max. 30 mA.

It is important to ensure a free and secure position of the electrical power cable, so that when operating the lifting or tilting function of the bathtub under no circumstances the power cord can be claimed or even pinched.

To produce the equipotential bonding, a green / yellow cable with a 4 mm² cross-section is also led out on the back of the bathtub.

After all connections are made, a test run can be done. Make sure that all connections are tight and that all supply lines can move freely.

After the first week of installation, a visual inspection for tightness, correct position of all moving supply lines and the stability of the bathtub need to be done.

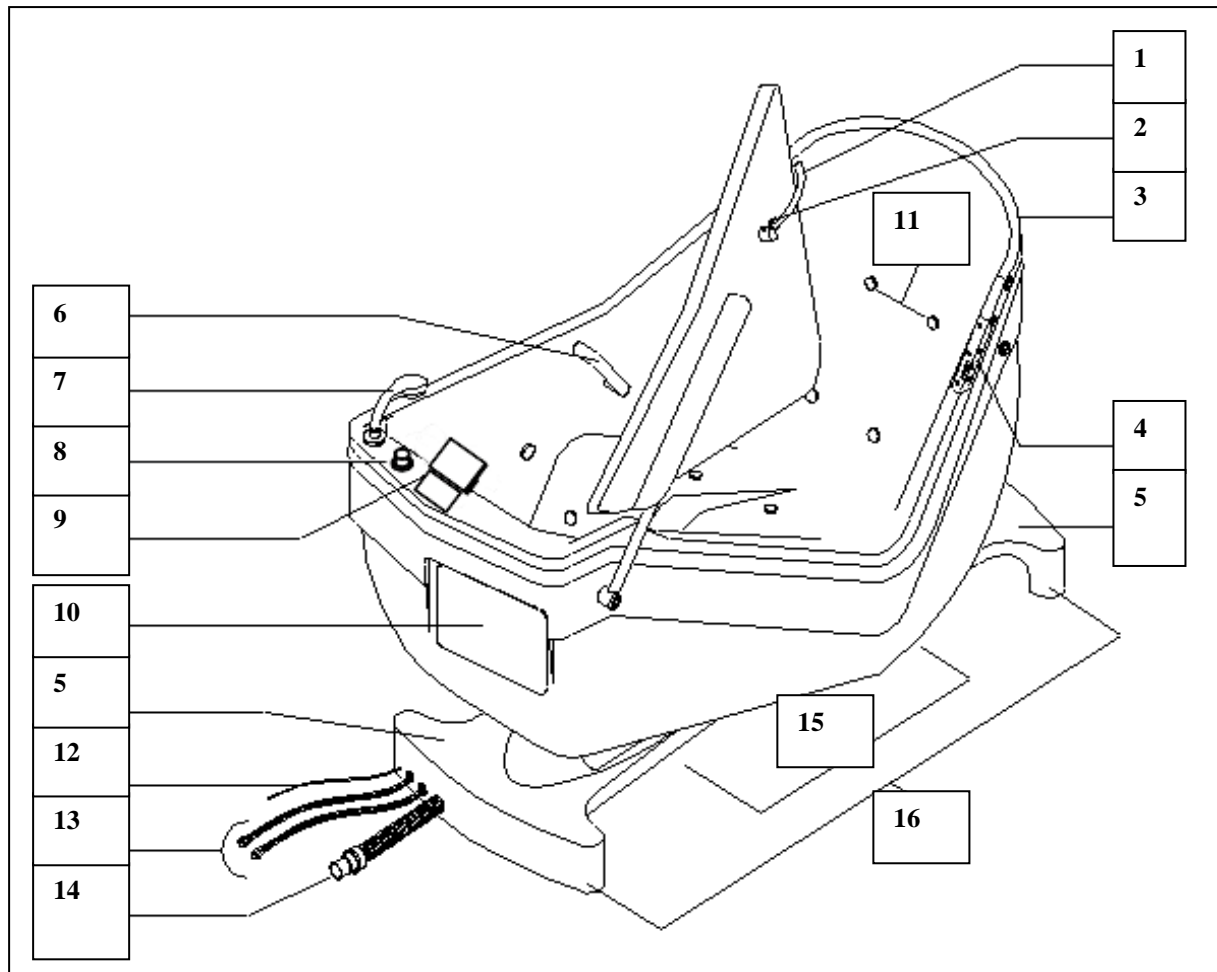
Please note !

If recognizable defects in the water- or power lines or the stability of the bathtub are detected, the device may not be operated until the fault-free operating state of the device is restored.

SWING models

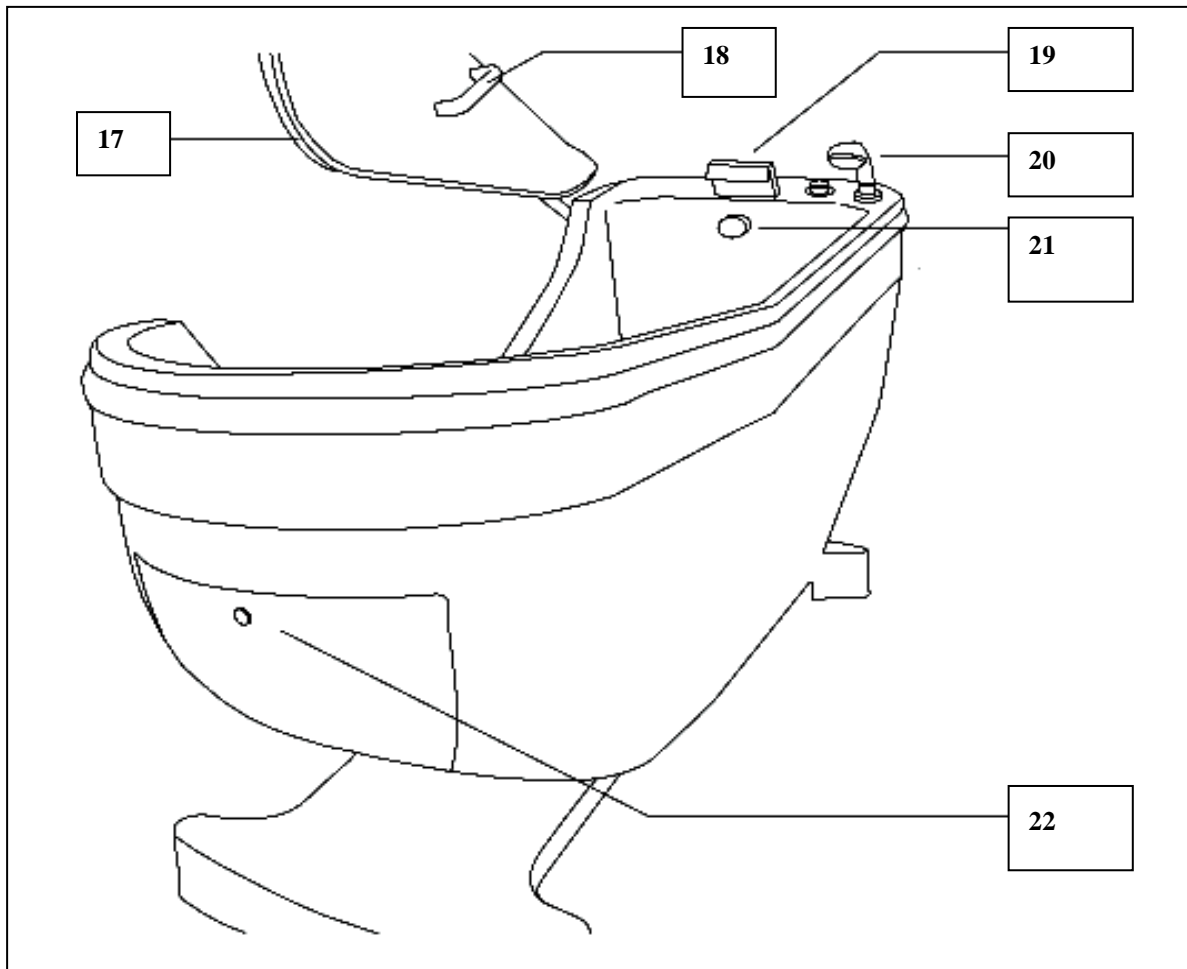
SWING (SW101-01)	Tilt adjustable bathtub with thermostatic mixer for manual filling
SWING-HV (SW101-02)	Tilt and height adjustable bathtub with thermostatic mixer for manual filling
SWING-AUTOFILL (SW101-03)	Tilt adjustable bathtub with thermostatic mixer for automatic bathtub filling
SWING-HV-AUTOFILL (SW101-04)	Tilt and height adjustable bathtub with thermostatic mixer for automatic bathtub filling
SWING-HV-AirSpa (SW101-05)	Tilt and height adjustable bathtub with thermostatic mixer for manual filling and AirSpa (bubble bath with 8 nozzles and heating)
SWING-HV-AUTOFILL-AirSpa (SW101-06)	Tilt and height adjustable bathtub with thermostatic mixer for automatic bathtub filling and AirSpa (bubble bath with 8 nozzles and heating)

Product Overview



- | | | | |
|-----|---|-----|--|
| 1. | Lever for door locking | 13. | Flexible hose connections for cold water and hot water |
| 2. | Safety button for door lock | 14. | Flexible drain hose |
| 3. | Inspection flap for air bubble motor and disinfectant container | 15. | Underride free footwell |
| 4. | Locks | 16. | Adjustable non-slip feet |
| 5. | Base cover | | |
| 6. | Handles | | |
| 7. | Hand shower | | |
| 8. | Thermostatic mixer | | |
| 9. | Bath spout and touch control panel | | |
| 10. | Inspection opening | | |
| 11. | Nozzles air bubble bath | | |
| 12. | Power connection | | |

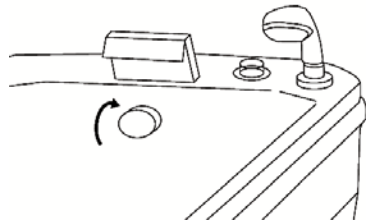
Product Overview



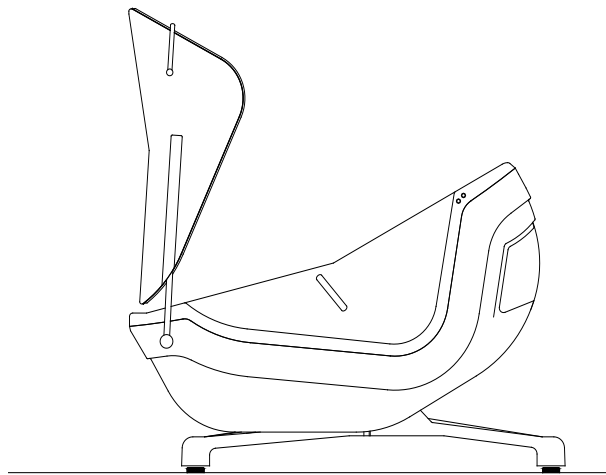
- 17. Door seal
- 18. Handle
- 19. Water inlet
- 20. Hand shower
- 21. Overflow / tray drain
- 22. Inspection flap

Swing - Step by Step

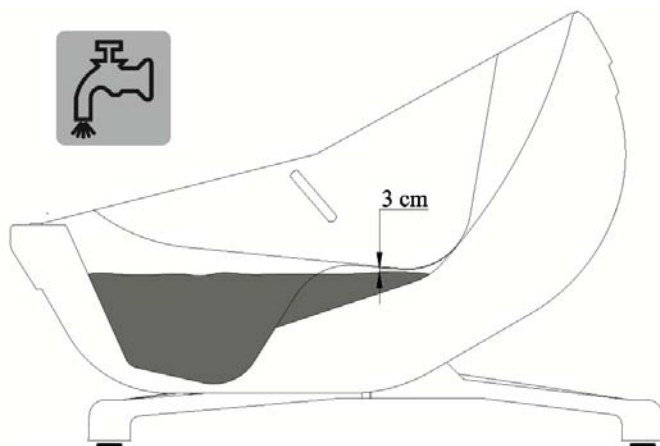
1. Turn the knob (overflow) clockwise to close the drain.



2. Make sure the swing bathtub is in a horizontal position and the door is open.



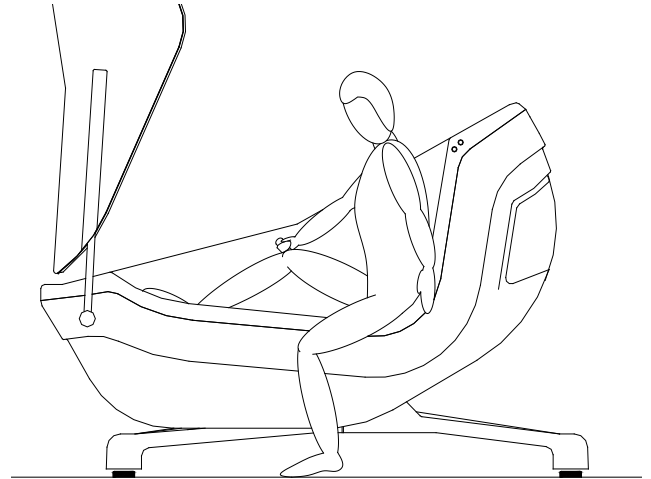
3. To fill the tub, press the filling button. If your tub is not equipped with autofill, you must stop the water intake by pressing it again when reaching the desired level. (Ideally about 3 cm below the door edge.)



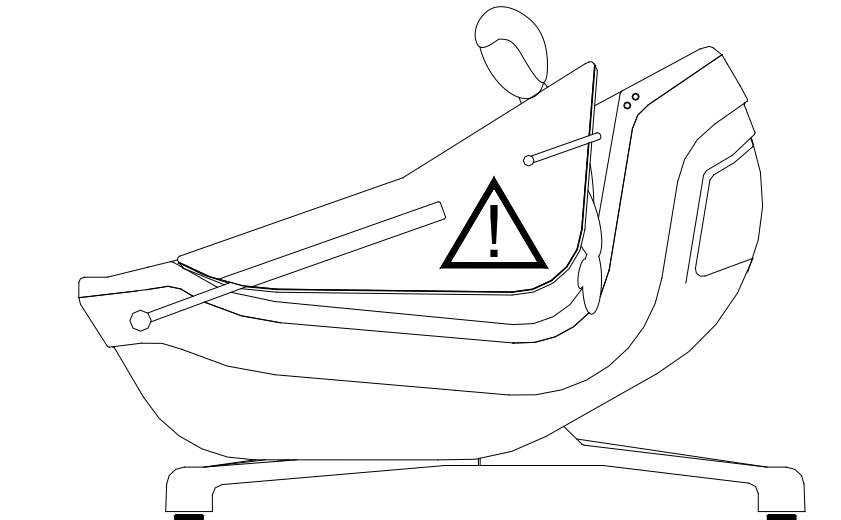
4. For automatic filling (Autofill), set the thermostatic mixer to the desired temperature and press the filling button. As soon as the filling height has been reached, the system switches off automatically.



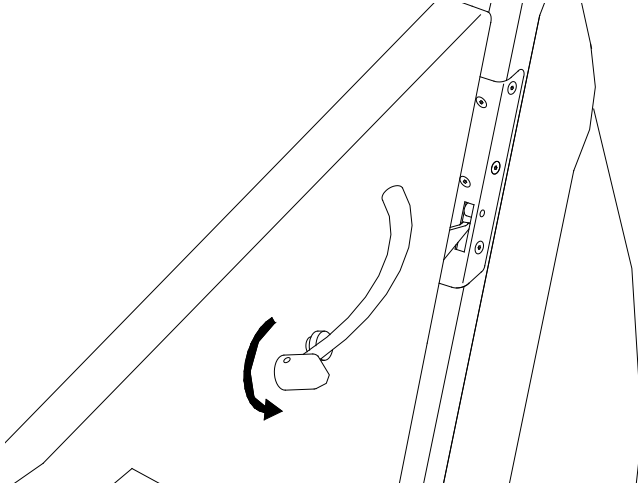
5. The bathing person can now get into the bathtub or be sat down.



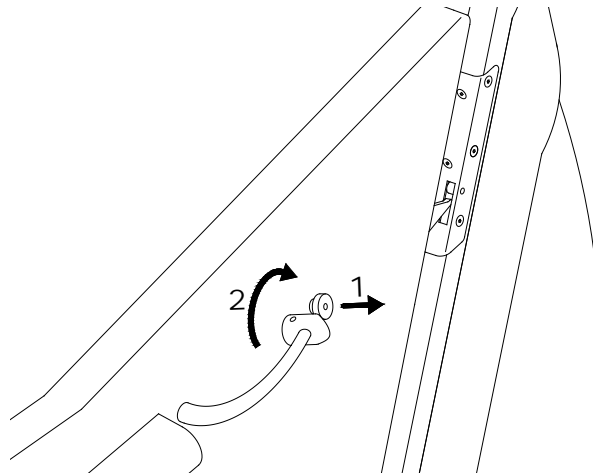
6. When closing the door, be careful not to catch the bather's hands or other parts of the body.



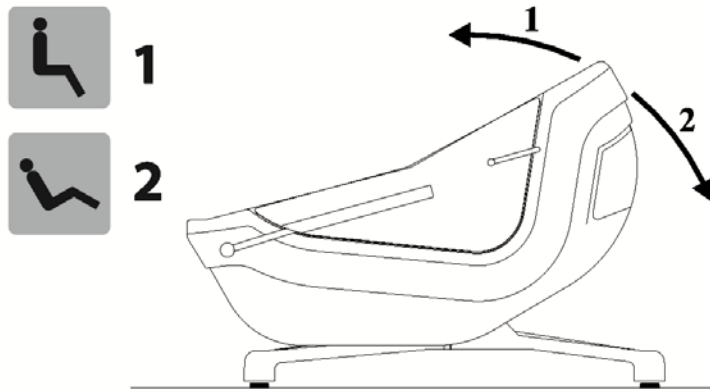
7. Lead the door to the lower anchor point. Make sure that the two halves of the lock face each other. Now turn the locking lever anticlockwise to lock the door. Make sure that the door lock engages in the provided opening. Turn until the lock clicks into place.



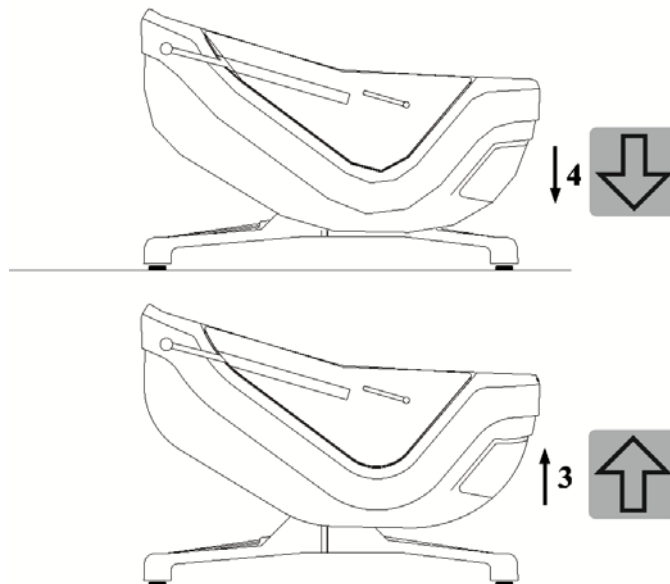
8. The lock prevents the door from opening during bathing. To open, pull the locking knob and turn the locking lever clockwise.



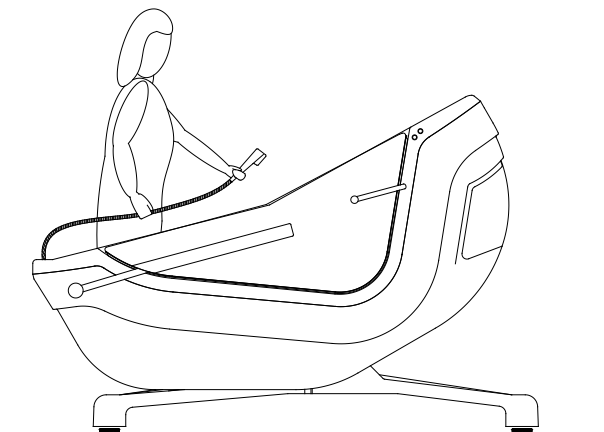
9. By pressing a button, you can bring the swing tub in the desired bathing position. The buttons are located on the touch-control panel of the tub.



10. The buttons for raising and lowering the swing bathtub are located on the touch-control panel.



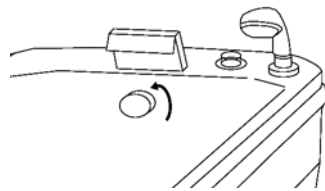
11. The shower hose is housed in the tub rim. To use the shower, simply remove the shower head from the holder. After use, the shower head must be put back into the holder provided at the edge of the tub.



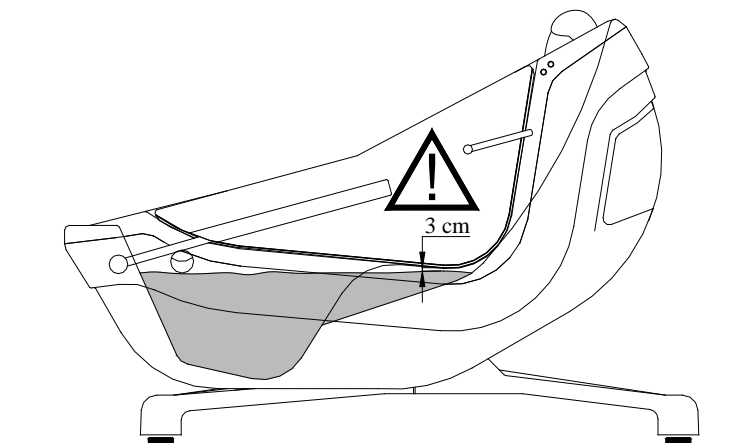
12. First select the desired temperature with the thermostatic mixer. To use the shower, press the button on the touch-control panel.



14. When the bathing is finished, open the drain to empty the tub. Return the bathtub to its upright position and lower the bathtub.



15. If the water level is below the opening of the door, you can open the door. Pull the safety button while turning the door handle clockwise.



Service and warranty information

All mechanical components of the Horcher model "SWING" have a warranty of 24 months. Within the framework of this warranty, we replaced parts for free which have become defective due to manufacturing or material defects or repair them.

Within the framework of the guarantee we provide free replacement with reservation of the possibility of repair.

This shall not apply if the defect of the device must be traced back to improper treatment and / or neglect of the intended purpose and the rules of conduct described in these operating instructions.

We do not pay for damages and failures resulting from natural wear or during transport.

Maintenance and periodic monitoring

- The device must be inspected every 12 months.
- These inspections must be performed by a suited and properly qualified person who is familiar with the construction, use and care of the device. The scope of these inspections is recorded in the provided check lists.
- Repairs and overhauls of the Horcher bathtub systems may only be performed by suited and properly qualified persons.
- The company Horcher GmbH offers corresponding trainings.
- If you have any questions about these topics, please visit our website or contact our service on the service hotline +49 (0) 61 87 / 92 04-50.

Touch-Control-Panel SWING



The Touch-Control-Panel is intended to operate a whirl system with fan or pump, LED colour light headlight(s), automatic bathtub filling (1 filling height), disinfection system, LockSafe, Timer, Thermal disinfection, log functions and hand shower. Furthermore, one or two hoist / tilt motors and an external sound system can be controlled.

The water level of the bathtub is monitored via capacitive water level sensors. The automatic filling and the afterblow function are controlled via these sensors (only when fan is activated). The inlet and bathtub temperature is controlled via up to 3 temperature sensors.

The colour light headlights can be switched independent from the water level.

The individual functions can be switched via the control panel.

Functions of the touch-control panel



Height adjustment up / down

The height of the bathtub can be individually adjusted via the buttons "up" and "down". If the button "UP" is pressed, the bathtub will be lifted. If the button "DOWN" is pressed, the bathtub will be lowered. When reaching a final position, the height adjustment will be automatically switched off.



As soon as you release the buttons, the bathtub will remain in the reached position.

After each use it is useful to lower the lifting bathtub completely.



Tilt adjustment sitting / lying

The inclination of the bathtub can be individually adjusted via the "tilt up" and "tilt down" keys. If the "tilt up" key is pressed, the tilt of the bathtub is reduced. If the "tilt down" key is pressed, the inclination of the tub is increased. The tilt adjustment is automatically switched off when reaching an end position. Tilt "down" can only be activated when either the door is closed or the bathtub is not filled.



Button whirl system (optional)

The whirl system (pump) can be switched on and / or off via the button. The pump can only be switched on, if the "sensor filling height 1" is covered with water. The pump will be switched off automatically 30 minutes after the last keystroke and when the "sensor" indicates that there is no water in the bathtub (sensor is no longer covered).



By pressing the dark gray whirl button, the intensity can be permanently adjusted with a slider.

Automatic drying of the air bubble bath system

After emptying the tub, the automatic air blowing of the AirSpa takes place. This process starts automatically after about 3 minutes and requires no intervention by the operator. The automatic dry-blowing of the system lasts 40 seconds.



Button colour light therapy (optional)

In order to switch on the colour light therapy, press button. The RGB headlights are flashing (1 - 2 pieces). The other available colours can be selected by pressing the dark grey button. The colour sequence is as follows: red – yellow – green – blue – automatic colour change.



It is possible to stop the automatic colour change by pressing the button again. When the button is pressed again, the colour change will restart. In order to switch off the colour light therapy, press button again.



Water temperature bathtub

The temperature can be displayed in °C or °F. The display has steps of 0.5° (in the case of °F display the temperature will be displayed in 1°F steps from 100°F).

If the measured temperature exceeds 42°C and / or 43°C the corresponding display will show "hot" alternating with the temperature.



Sound function play / stop (optional: USB/Bluetooth)

Button can be used to start or stop and / or continue the playback of audio signals (music, sounds, noises). For the audio playback, a USB stick with audio material (MP3 files) must be plugged into the docking station of the sound system. The sound system needs some time to recognize the USB stick after plugging it into the docking station (net reset, change of the USB stick). By pressing the dark gray sound button, the volume can be permanently adjusted with a slider.



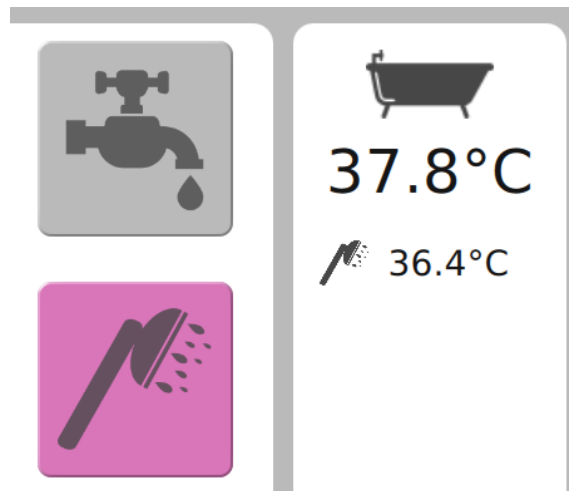
Bluetooth connection:

To connect via bluetooth open the bluetooth settings of your device. Search for the sound system called "Horcher Sound (followed by numbers)" and connect.



Button hand shower

The hand shower can be switched on and / or off via the button. The conditions and the water temperature of the hand shower are shown in the display water temperature hand shower. After use, the shower head must be put back into the holder provided at the edge of the tub.



Temperature water	Hand shower active	Display water temperature hand shower
< 38°C	Yes	Display temperature
38°C–40°C	Yes	Display temperature flashes
40°C–42°C	Yes	Display temperature flashes red
42°C–43°C	Yes	Display temperature flashes red alternating with “hot”
From 43°C	Hand shower is switched off automatically.	Display temperature flashes red alternating with “hot”

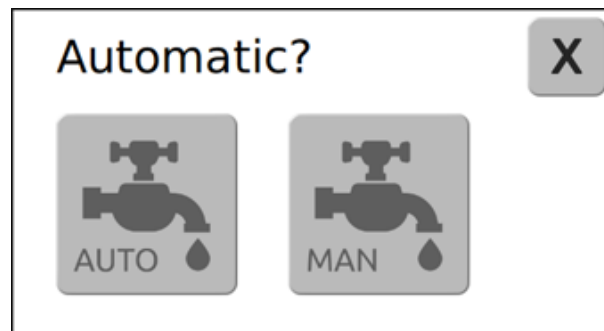
A pulsating warning signal can be heard, when the water temperature of the hand shower reaches 42°C. The hand shower will be switched off automatically (scald protection), if the water temperature of the hand shower reaches 43°C.

If the scald protection is active, the hand shower can no longer be readily switched on with the button. For this, the temperature preselection must be made colder and possibly a moment to wait until the temperature at the sensor drops below 43 ° C again.



Button filling

The tub filling can be switched on or off via the button. By pressing the button the water temperature is shown in the display water temperature bathtub filling. For bathtubs with "AutoFill", it is possible to automatically fill up to level 1 "FH1". If the button "AutoFill" is pressed, the automatic filling starts to level 1. Another keystroke terminates the automatic filling. The automatic filling will be terminated if the corresponding filling height has been reached:
Filling height 1 = "sensor filling height 1" covered



By pressing the "AutoFill" button it is possible to automatically fill up to the filling level 1. For this purpose, the tub must be in the seat position (sensor "tub seat position" pressed). If this is not the case (sensor "tub seat position" not activated), then the door of the tub must be closed. Another press of the button stops the automatic filling. The automatic filling is terminated when the corresponding filling level has been reached:

filling level 1 = "Sensor filling level 1" covered.

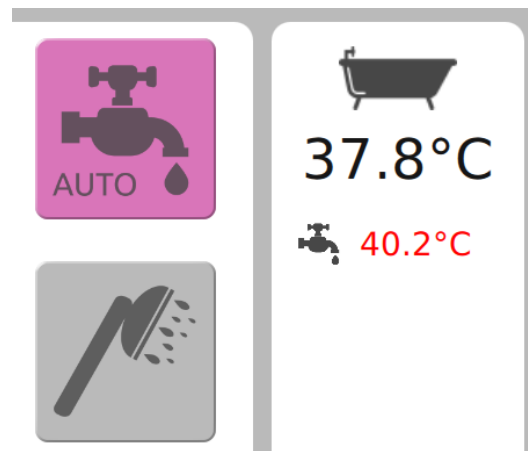
If the tub is now moved to the lying position, it can be filled up to the filling level 2 with "AutoFill". Filling will be finished when the corresponding level 2 has been reached:

filling level 2 = "Sensor filling level 2" covered.

If the filling height 2 has already been reached, it can only be filled manually. The automatic filling is equipped with a safety timer. If the selected filling height is not reached after a period of 20 minutes, the automatic filling will be terminated.

The conditions and the water temperature of the automatic filling are shown in the display water temperature.

Temperature display bathtub filling



Temperature water	Automatic filling active	Display water temperature inlet
< 38°C	Yes	Display temperature
38°C– 40°C	Yes	Display temperature flashes
40°C– 42°C	Yes	Display temperature flashes red
42°C– 43°C	Yes	Display temperature flashes red alternating with “hot”
From 43°C	Filling is switched off automatically	Display temperature flashes red alternating with “hot”

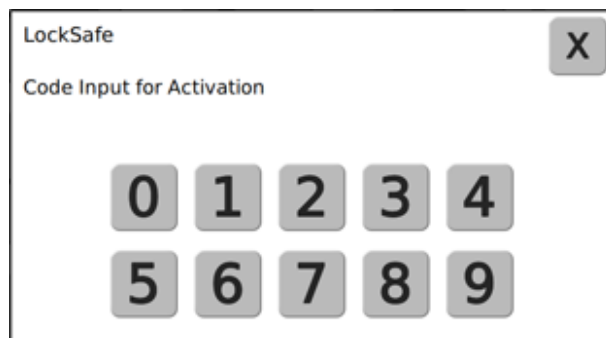
A pulsating warning signal can be heard, if the water temperature of the bathtub or the inlet reaches 42°C. The automatic filling will be switched off (scald protection) if the water temperature of the bathtub or the inlet reaches 43°C.

If the scald protection is active, the automatic filling can no longer be readily switched on with the button. For this, the temperature preselection must be made colder and possibly a moment to wait until the temperature at the sensor drops below 43 ° C again.



LockSafe - Lock / unlock

The touch panel can be locked. For this purpose, the buttons must be pressed. A new window for entering the preset code (factory setting 8965) opens. After successful code entry, the touch panel is locked.



If the touch panel is locked, a magenta key and a closed lock will appear. No function can be switched on. However, if a function is still active, it can be deactivated despite locked key combination and confirmation of the corresponding button.



By pressing the key and successfully entering the code, the touch panel can be unlocked again.



Timer function

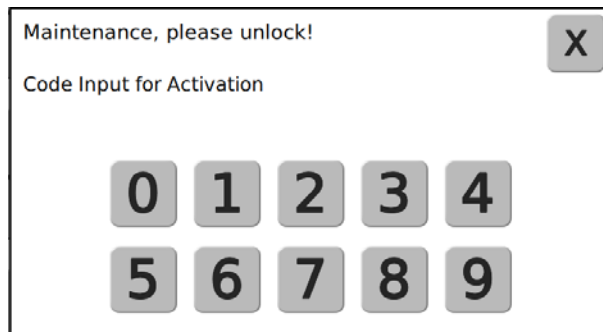
Here a timer can be configured and started. At the end, an acoustic signal sounds.



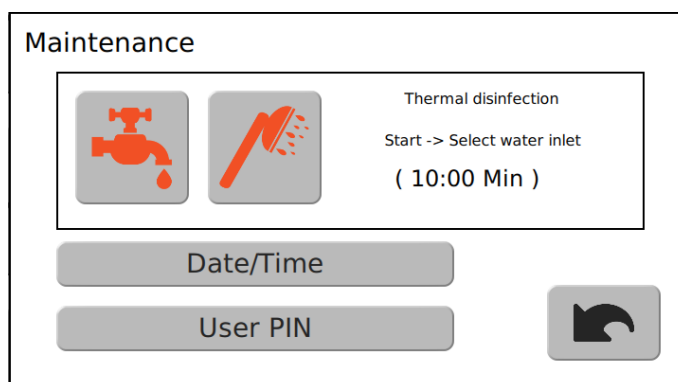
Maintenance Menu



By pressing the key and entering the code successfully, the maintenance menu opens. (Code will be communicated at the briefing.)



Thermal disinfection



The control disposes of a thermal disinfection in order to allow for the flashing of the fittings with hot water of more than 43°C.

Attention: Mechanical scalding protection in the bath mixer

If the red buttons are pressed, the switch-off of the magnetic valves (temperature control, scald protection) is deactivated for max. 10 minutes. This means that the hand shower and the automatic filling (inlet) can be activated and remain active, even if the water temperature is more than 43°C.

The thermal disinfection will be terminated either automatically after 10 minutes, at any time by switching off the red buttons (hand shower or the automatic filling).

Date/Time

Here the date or time can be set.

User-PIN

Here an individual PIN for the key lock (Locksafe) can be specified. (Factory setting 8965)

Cleaning the SWING Bathtub

After each use please clean the SWING bathtub with a non scouring oil dissolving detergent.

The acrylic surface is dirt resistant so it is easy to clean. Please use a soft cloth or sponge to clean the surface of the bathtub. !! **Never ever use scouring powder** !! This will damage the acrylic surface.

Important: When using bath oil such as chamomile oil or other types of colored oil's it is important that you empty and clean the bathtub right away, otherwise a layer of oil and color will build up and will be hard to remove.

Due to hard water a calcium build up can happen. To remove the calcium deposit just use regular household vinegar. However do not use, I repeat do not use the calcium remover for electrical appliances. You will damage the acrylic surface.

Use a wet sponge or cloth if the bathtub should be dusty.

Disinfection facility (option)

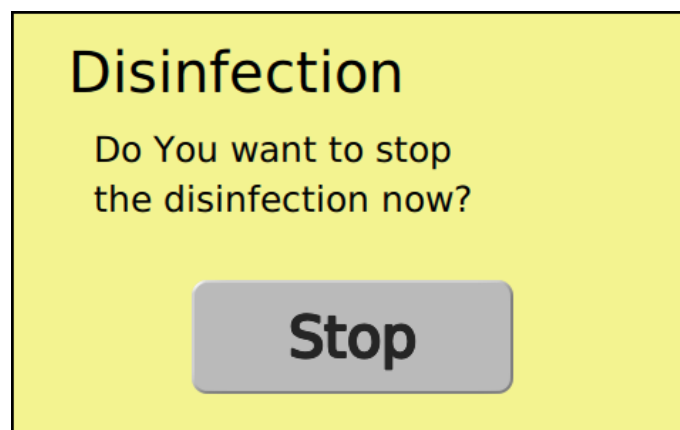


Disinfection

Here the disinfection can be started. After pressing the key, a message window opens:



By pressing the "Start" button, the disinfection process is started and a new window for stopping the process appears.



consisting of:

- an integrated storage compartment with lockable lid and sight glass for reasons of control of the disinfectant level, for reasons of inclusion of a corresponding canister with a capacity of up to 5 litres of disinfectant.
- a fixed inductor for 3% treatment of the disinfectant with adjustment to the recommended disinfectant CLEANISEPT.
- a disinfectant hand shower (red) with shut-off valve and bracket.

Functional description

A 5-l canister with disinfectant can be securely stored in the storage space at the back of the lift bathtub by removing the intended lid. Insert the PVC hose with strainer located there into the opened canister and ensure that the strainer reaches until the bottom of the canister.

An inductor with a fixed mixing ratio of 3% prepares the disinfection solution when using the disinfection shower.

Before the beginning of a disinfection process the disinfectant level should be checked at the sight glass.

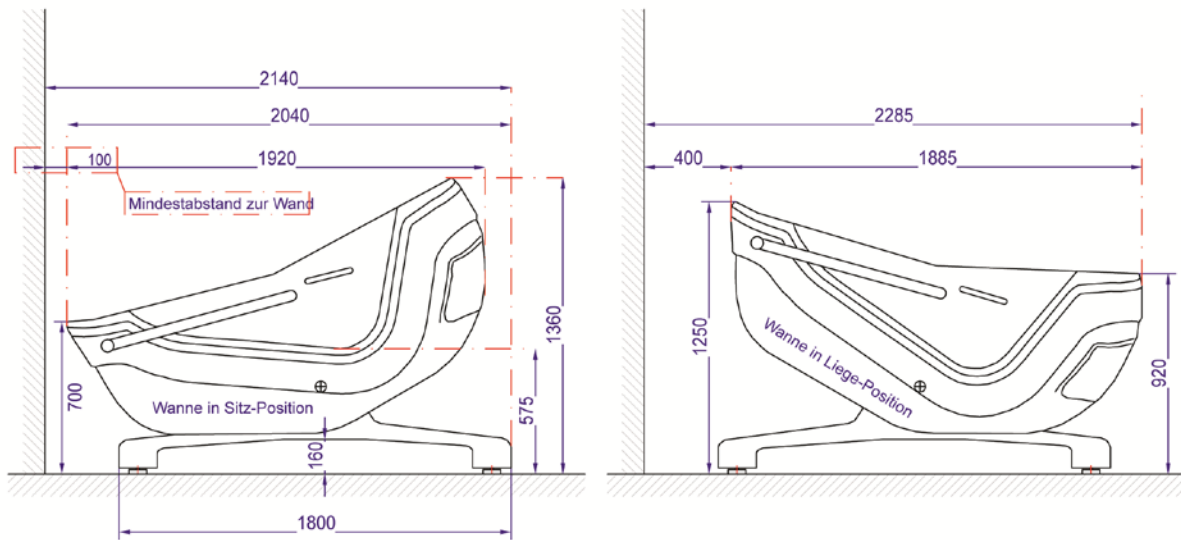
Technical Data

Dimensions:	SWING
Outside length x width	2040 x 820 mm
Stroke range max.	100 mm
Water capacity	approx. 100 liters
Operating voltage	Prim. 230 VAC Sec. 24 VDC
Power consumption	400 - 1100 W *
Noise level	49 dB
Weight	90 - 120 kg **
Max. patient weight	150 kg

* Depending on the equipment of the bathtub, the power consumption may vary.

** Depending on the equipment of the bathtub, the weight may vary.

Technical Data



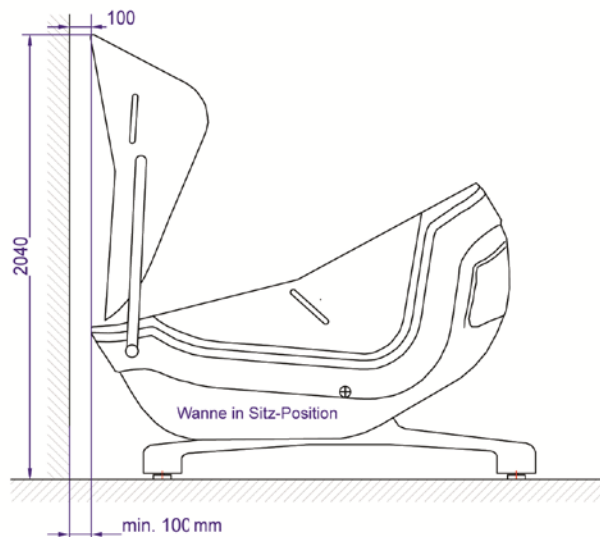
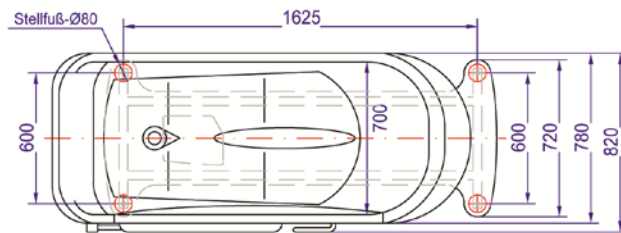
Gewichtsangaben:

Eigengewicht Wanne: 90 - 120 kg (je nach Ausstattung)

max. Personengewicht: 150 kg

max. Gesamtzuladung: 250 kg (Person und Badewasser)

max. Belastung pro Stellfuß ca. 92,5 Kg



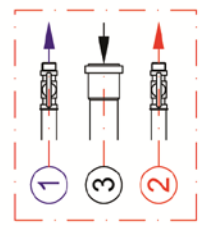
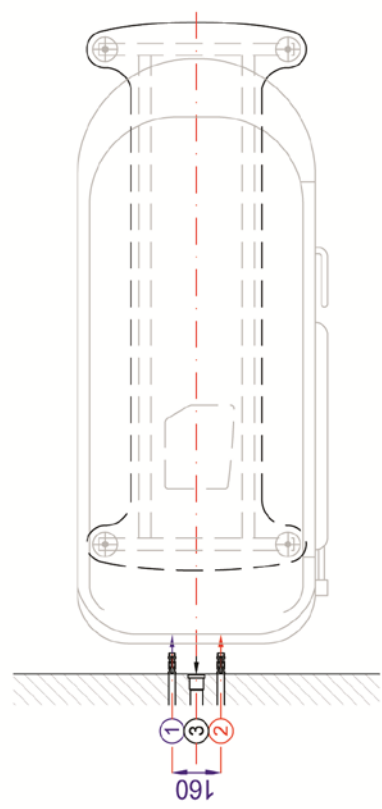
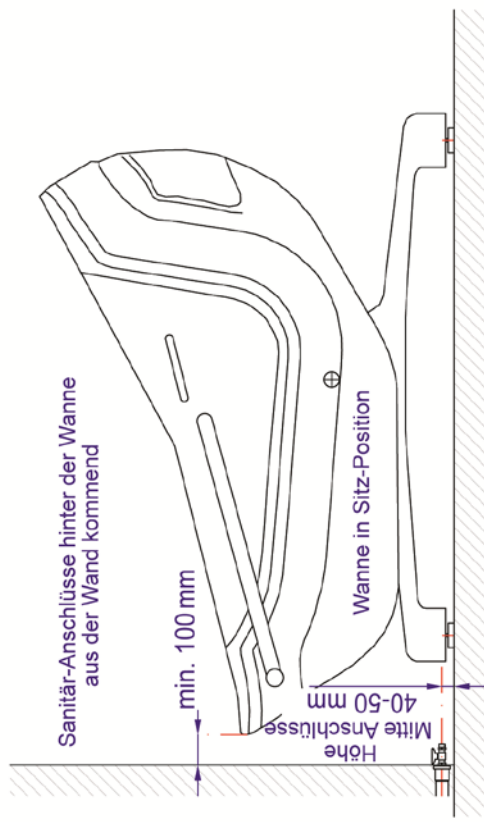
Bauseitige Sanitär-Installation	
1	Kaltwasseranschluss DN 15 + Absperrventil mit 1/2" Aussengewinde - Flachdichtend
2	Warmwasseranschluss DN 15 + Absperrventil mit 1/2" Aussengewinde - Flachdichtend
3	Abwasseranschluss

HTEM Ablaufrohr mit Muffe DN/OD 40/87°, wandbündig

Bauseitige Elektro-Installation	
- spritzwassergeschützte Direktanschlussdose im erlaubten Bereich gemäß der VDE Vorschriften - Allpoliger Netzschalter 16 A - FI-Schutzschalter mit max. 30 mA Fehlerstrom - Anschlussmöglichkeit für Potentialausgleich (1 x 4mm ²)	

Es sind unbedingt die Installationsvorschriften der zuständigen EVU und die VDE 100, Teil 701 und die VDE 0107 zu beachten.

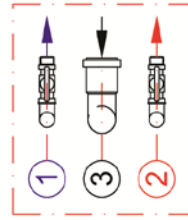
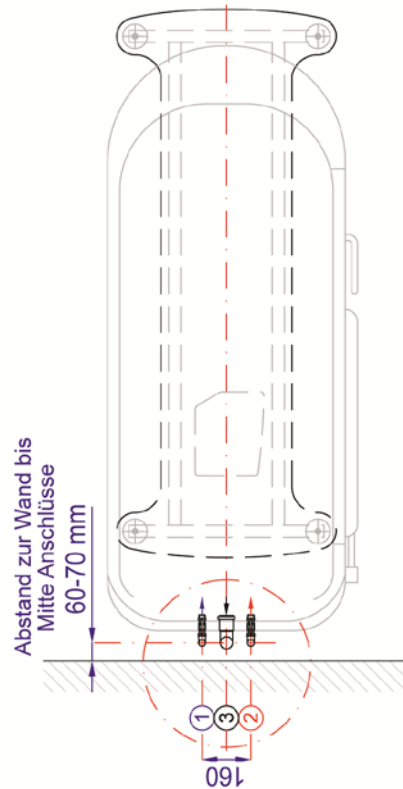
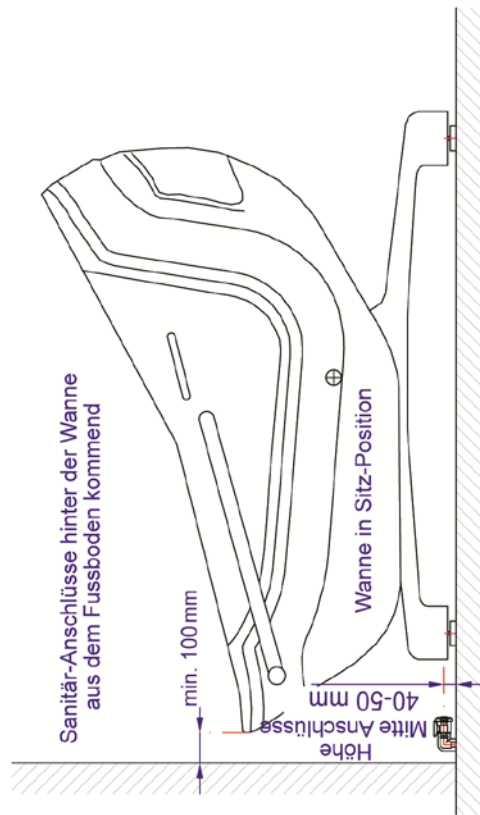
Anschluss muss durch eine konzessionierte Elektrofachfirma hergestellt werden.



Installationsvorgaben bei Sanitär-Anschlüssen mit Lage hinter der Wanne aus der Wand kommend.

Bauseitige Sanitär-Installation	
1	Kaltwasseranschluss DN 15 + Absperrventil mit 1/2" Aussengewinde - Flachdichtend
2	Warmwasseranschluss DN 15 + Absperrventil mit 1/2" Aussengewinde - Flachdichtend
3	Abwasseranschluss HTB Bogen DN/OD 40/87°

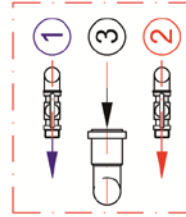
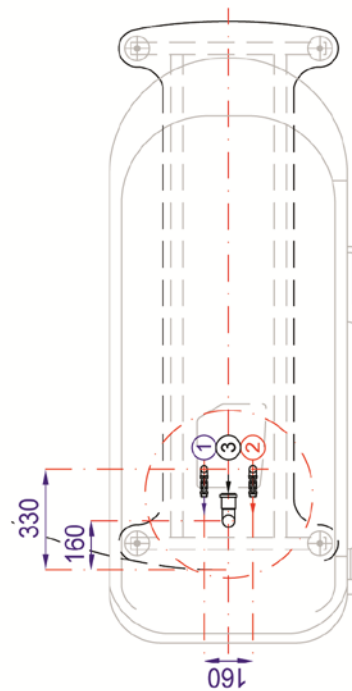
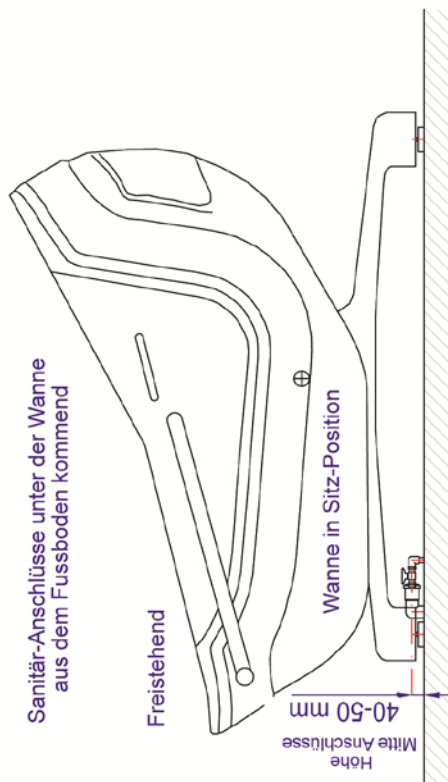
Bauseitige Elektro-Installation	
- spritzwassergeschützte Direktanschlussdose im erlaubten Bereich gemäß der VDE Vorschriften - Allpoliger Netzschalter 16 A - FI-Schutzschalter mit max. 30 mA Fehlerstrom - Anschlussmöglichkeit für Potentialausgleich (1 x 4mm ²)	
Es sind unbedingt die Installationsvorschriften der zuständigen EVU und die VDE 100, Teil 701 und die VDE 0107 zu beachten.	
Anschluss muss durch eine konzessionierte Elektrofachfirma hergestellt werden.	



Installationsvorgaben bei Sanitäranschlüssen mit Lage hinter der Wanne aus dem Fussboden kommend.

Bauseitige Sanitär-Installation	
1	Kaltwasseranschluss DN 15 + Absperrventil mit 1/2" Aussengewinde - Flachdichtend
2	Warmwasseranschluss DN 15 + Absperrventil mit 1/2" Aussengewinde - Flachdichtend
3	Abwasseranschluss HTB Bogen DN/OD 40/87°

Bauseitige Elektro-Installation	
- spritzwassergeschützte Direktanschlussdose im erlaubten Bereich gemäß der VDE Vorschriften - Allpoliger Netzschalter 16 A - FI-Schutzschalter mit max. 30 mA Fehlerstrom - Anschlussmöglichkeit für Potentialausgleich (1 x 4mm ²)	
Es sind unbedingt die Installationsvorschriften der zuständigen EVU und die VDE 100, Teil 701 und die VDE 0107 zu beachten.	
Anschluss muss durch eine konzessionierte Elektrofachfirma hergestellt werden.	



Installationsvorgaben bei Sanitäranschlüssen mit Lage unter der Wanne aus dem Fußboden kommend.

Medical Product SWING



Inventory-No. _____

Product _____

Type _____

Serial No. _____

Manufacturer / Importer _____

Supplier _____

Date of Installation _____

Location _____

A Inventory-No. _____

Functional Test

on: _____

through: _____

Instruction

Responsible _____

Date	Manufacturer / Supplier	Name of the person responsible for Instructions	Signature

B Inventory-No. _____

Users

Date	Trainer	Trainee	Signature

C

Inventory-No. _____

Safety Check

Date	Technician	Result	Remarks

D Inventory-No. _____

Maintenance Service

(Maintenance / Inspection / Repair)

Date	Preformed through Person / Firm	Short description of Maintenance

E

Inventory-No. _____

Repairs

Date	Technician	Description of repairs <input type="checkbox"/>

F Inventory-No. _____

Reports of incidents to the authorities and manufacturers

Date of the report	Description of the reported Incident

G Inventory-No. _____

Essential Addresses:

A) Inform the person responsible in case of problems.

Name: _____

Telephone: _____

Emergency No.: _____

Technical Service
of the manufacturer /
supplier:

Horcher GmbH
- Service und Maintenance -
Philipp-Reis-Strasse 3
D- 61130 Nidderau

Telephone: +49 (0) 61 87 / 9204 - 50

Fax: +49 (0) 61 87 / 9204 - 21

B) Operating Manual to be found:

Name:

Location:

Telephone:

Emergency No.:

C) Accidents with personal injury:

Name: Mr. Stefan Horcher
Safety officer for medical products
Horcher GmbH
Philipp-Reis-Strasse 3
D- 61130 Nidderau

Telephone: +49 (0) 61 87 / 9204 - 0

Fax: +49 (0) 61 87 / 9204 - 15

Inventory List

Type:	
Serial No:	
Year of purchase:	
Manufacturer:	Horcher GmbH Phillip-Reis-Straße 3 61130 Nidderau Germany
Factory Id No:	
Side of location:	
Prescribed period for the technical safety controls: (see label on the product)	

Office: +353 (0) 1 8903932

Fax: +353 (0) 1 8903937

Dublin: F1 Swords Enterprise Park, Feltrim Road, Swords, Co Dublin,
K67 E984, Ireland.

Cork: 602 Harbour Point Business Park, Little Island, Cork, T45 X624, Ireland.

Web: www.elitehealthcare.ie