

Weigh Scale

Weigh scale for all purposes

Primary application

Home care
Nursing homes
Hospital

The weigh scale is a M weigh (medically approved weight). The weigh scale is designed to weigh disable patients body weight, when they are placed in a sling.

The weigh scale has a big screen and multiple functions including On/Off/Zero/Tare button and Hold button. Weighing capability is up to 300 kg but the LOWEST weight capacity decides the maximum lifting capacity. The scale has an accuracy of 0,1kg.

With the function Hold it is possible to sample 5 to 10 sets of reading and analyze the discrepancy.

The Tare function makes is possible to subtract additional weight like clothing from the total weight.

Key standard functions

On/Off/Zero/Tare button
Hold button
Big display
Weighing capability up to 300 kg
Accuracy of 0,1kg



 ergolet®

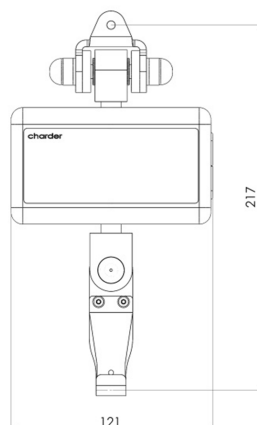


On/Off/Zero/Tare and Hold buttons

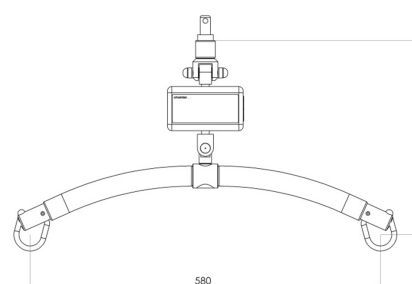
Version	Lift	Mounting method	Item no.
Weigh scale without spreader bar	Luna	Strap	017-00133
Weigh scale with 2 point spreader bar	Luna	Bayonet	017-00117
Weigh scale with 3 point spreader bar	Solar	Bolt	017-00135
Weigh scale with 2 point spreader bar	Solar	Bolt	017-00121

TECHNICAL SPECIFICATION

Weigh scale for Luna with strap

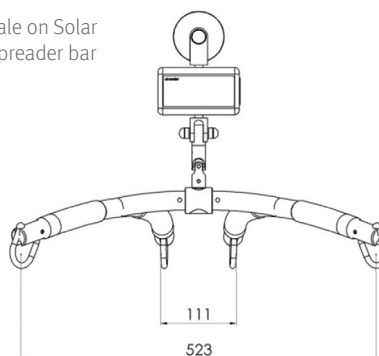


Weigh scale for Luna with bayonet

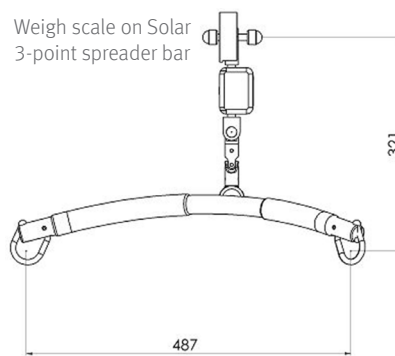


Big display

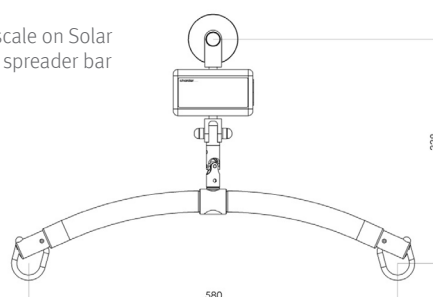
Weigh scale on Solar 3-point spreader bar



Weigh scale on Solar 3-point spreader bar



Weigh scale on Solar 2-point spreader bar



Easy to use and read

Consult the Technical manual for further specifications. All figures and measurements are for guidance only and may differ in actual situations. Ergolet reserves the right to changes without notice.

Product photos may include accessories. Consult your dealer.



date 25.09.2014 - ver. 8

Ergolet
 Taarnborgvej 12C
 4220 Korsoer
 Denmark
 tel. +45 70 27 37 20
 e-mail: ergolet@ergolet.dk



www.ergolet.com