

EN Instruction manual



ELECTRIC Hi-Lo Bathtub

Transcare

7200.00 UK

CE

SUMMARY

CONTENTS	PAGES
DIMENSIONS	2

DESCRIPTION & CONTROL PANELS	3

HAND CONTROL & DIGITAL THERMOSTATIC MIXER	4

TECHNICAL SPECIFICATIONS	5

OPERATION	6

SAFETY INSTRUCTIONS AND WARNINGS	7

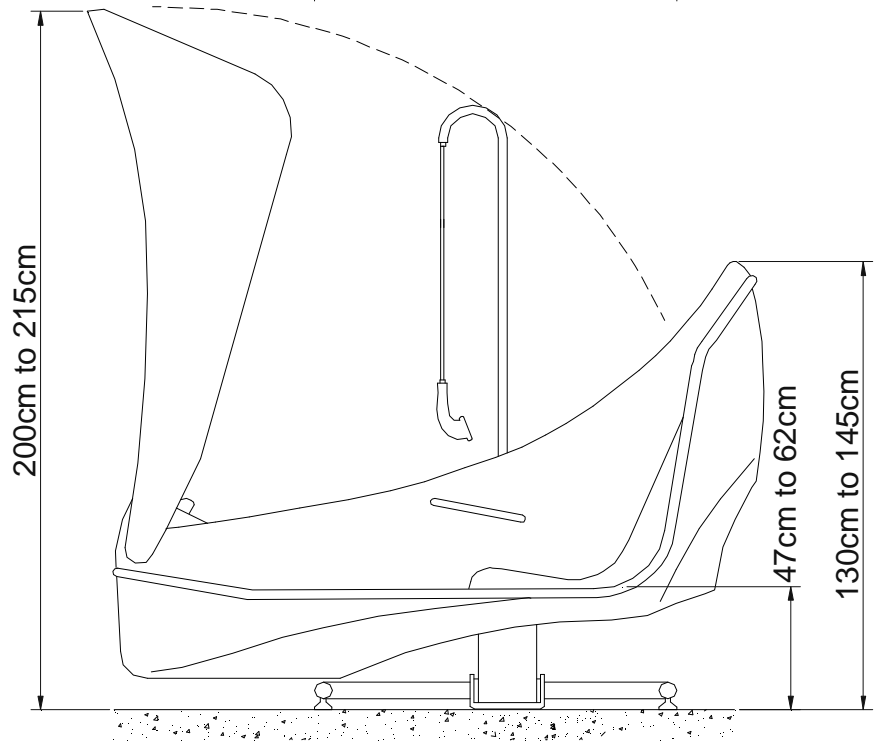
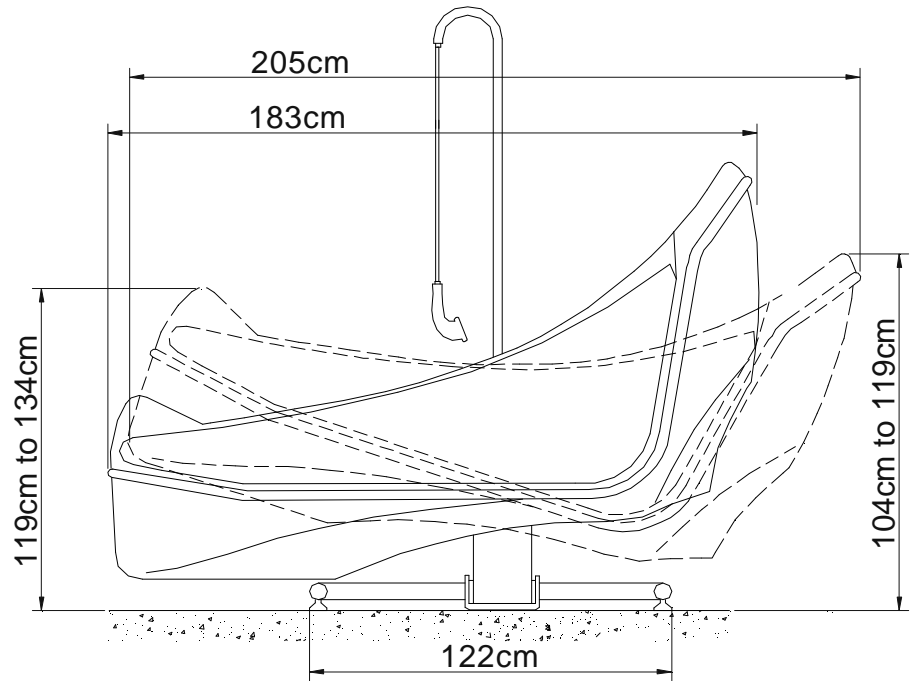
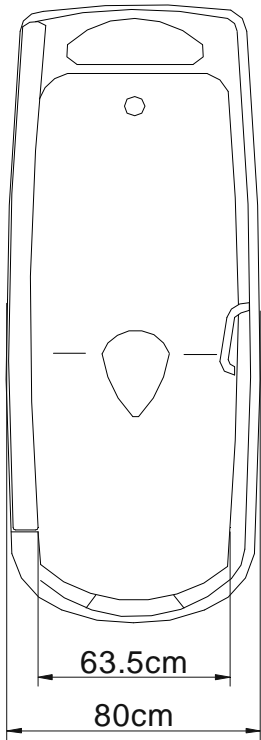
DIRECTIONS FOR USE	
HIGH/LOW FUNCTIONS	8
TILT ADJUSTMENT	8
DOOR OPERATION	9
PLUG OPERATION	9
WATER TEMPERATURE ADJUSTMENT	10
BATH FILL	10
CLEANING METHOD	10
THERMIC DISINFECTION	11
AIR WHIRLPOOL (OPTION)	11
CLEANING THE CONTROL PANEL	11
CHROMOTHERAPY (OPTION)	12
HYDRO-AROMATHERAPY (OPTION)	13
AUDIO SPA (OPTION)	14

MAINTENANCE	
CHIMIC DISINFECTION : COMPOSITION & ADDITION OF DISINFECTANT	15
CLEANING THE TUB & DOOR SEAL	15
CLEANING THE AIR WHIRLPOOL SYSTEM	15

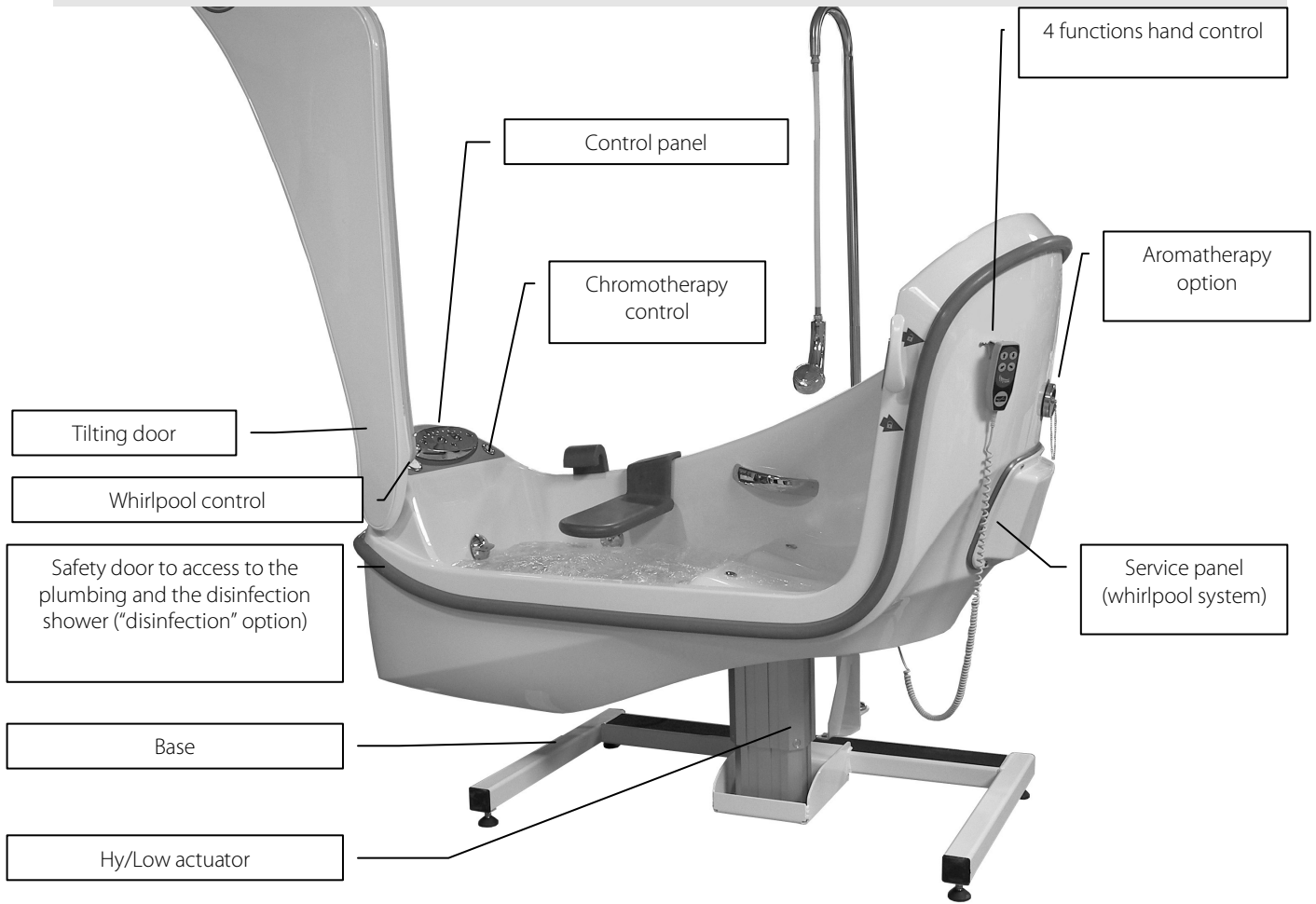
PERIODIC INSPECTION	16

MAINTENANCE FORM (LOGBOOK)	17

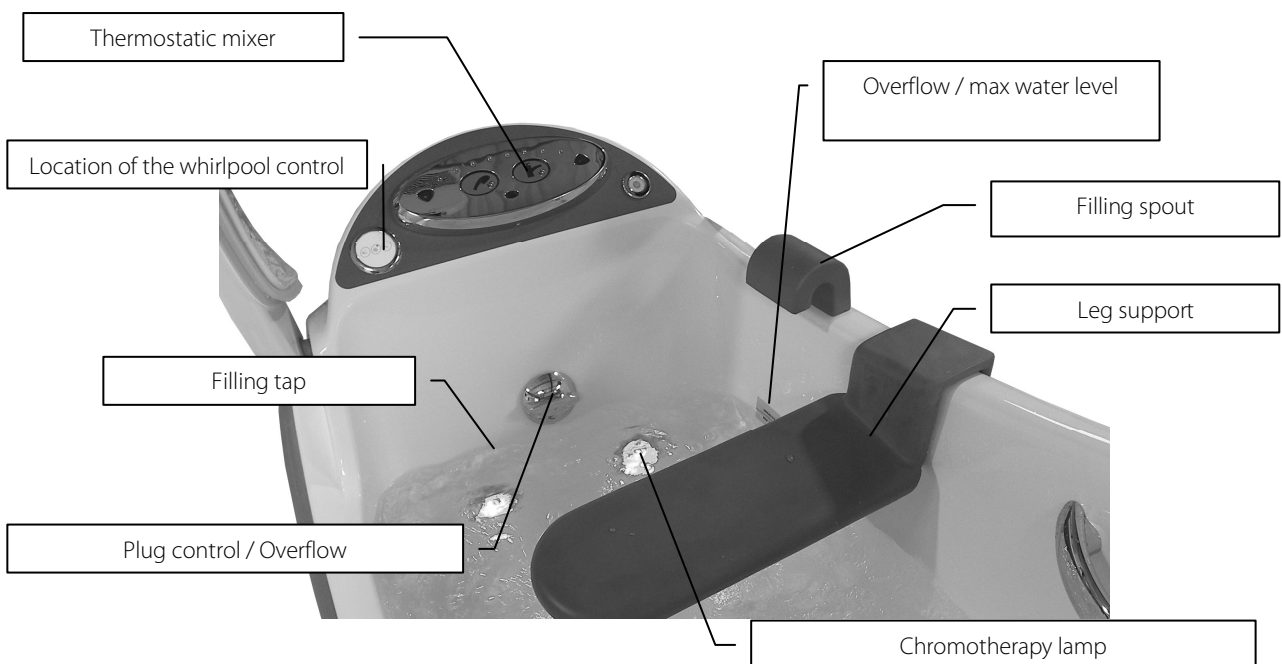
DIMENSIONS



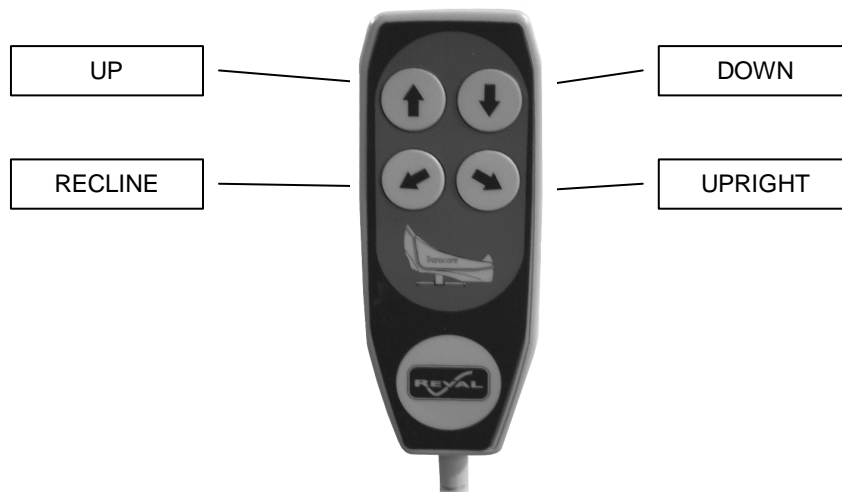
DESCRIPTION



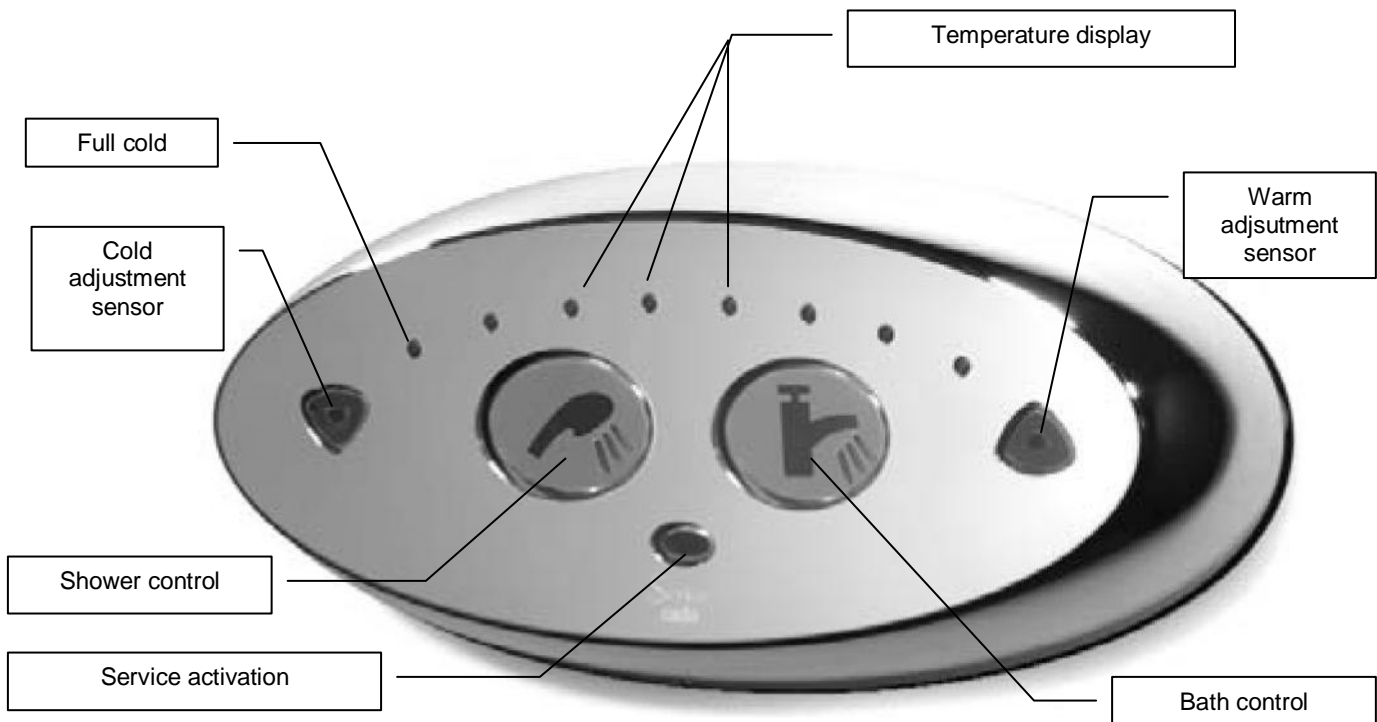
CONTROL PANEL



HAND CONTROL



DIGITAL THERMOSTATIC MIXER



TECHNICAL SPECIFICATIONS

VERSIONS:

REF. 7200.00 UK Bathtub "TRANSCARE" with Digital Mixing Valve Rada Sense

OPTIONS :

- **7200.20** Hydrotherapy option.
- **7200.50** Leg support.
- **7200.52** Dispenser of washing product.
- **7200.60** Chromotherapy.
- **7200.70** Aromatherapy.
- **7110.99** Aqua pillow.

GENERAL:

- Reinforced fiberglass tub, white colour.
- Handgrip.
- Door lock in stainless steel.
- 4 function hand control. (up/down & recline/upright)
- Back-up battery power.
- Electric supply : 240 VAc 50Hz

PLUMBING :

- Rada sense bath & shower concealed digital mixing valve offering programmable max, min & default temperatures, automatic temperature on outlet selection, duty flush and thermal disinfection with datalogging capabilities.
- Shower flow control button.
- Manual draining & overflow line.
- Ø 40mm draining plug

PERFORMS:

- Vertical travel: 150mm
- Water reserve : 25 litres
- Maximal water volume : 90 litres
- Maximal recline angle: 22.5°
- Safe working load: 200kg
- Weight of the bathtub : 140kg

CONFORMITY:

- 73/23/CEE (low voltage directive)
- 89/336/CEE (EMC directive)
- NF EN 60335-1 (electric standard for bathtub..)
- NF EN 60335-2-60 (electric standard for bathtub...)
- NF EN 1717 (Anti-pollution)
- NF C 15100 (Electric installations...)
- WRAS Fluid Category 5 certified (n°0712080)
- TMV2
- TMV3
- DO8

OPERATION

The central lifting column, located under the tub, allows variable tub adjustment.

Tub angle adjustment via hand control and electric action. Tub Hi/Low adjustment also via hand control.

The hand control allows to control the variable height and tilting of tub.

To activate bath fill place hand over the bath fill sensor within 30mm. Bath will fill automatically to the fill level and stop automatically when water level indicator is reached. The water level can be stopped and restarted at any time.

Water temperature is adjusted simply by placing your hand over the hot or cold adjustment sensor. A digital display allows to check the water temperature.

A thermostatic control patient shower is located in the mid position of the tub. This can be operated in a same way as the bath fill. The shower is programmed to run for two minutes then will stop automatically. The shower can be started or stopped at any time. The spray patterns can be adjusted on the shower head and the flow pressure can be adjusted via the flow adjustment control lever on the front of the bath.

The front service door is equipped with a locking latch and key to prevent an authorised access.

The Transcare bath is available with optional hydrotherapy.

This is controlled via a service mounted control panel mounted on the bath's front fascia.

SAFETY INSTRUCTIONS AND WARNINGS

Do not attempt to use this bathing system without first understanding this manual.

To ensure safe operation, carefully read this entire manual, especially the section on "Safety Instructions and Warnings", before installing, operating, or servicing this equipment.

If anything is not completely understood, please contact Reval for more details.

Failure to comply with warnings in this manual may result in injury.

Keep this manual with the tub and refer to it as required. Contents of this manual are subjected to change without prior notice to users.

- The Transcare bathing system must be installed by a contractor or a certified installation technician.
- DO NOT open the door when the tub is reclined.
- DO NOT open the door if the bath water is above the door seam.
- DO NOT immerse the hand control in water.
- DO NOT try to lift the tub.
- DO NOT stay underneath the tub during lowering.
- DO NOT fill over the maximum water level line.
- DO NOT operate the air whirlpool pump without water.
- DO NOT pull on the shower head too forcibly.
- DO NOT place any object underneath the tub.
- **DO NOT use any electrical appliances near the tub.**
- **DO NOT use any electrical appliances (hair dryer or electric razor, etc) while in the tub.**
- DO NOT force controls or taps.
- DO NOT force the door lock handle.
- **DO NOT use or turn the disinfection shower on the patient.**
- ALWAYS perform a daily check before using the bathing system.
- Each client should be assessed for his or her ambulatory capability to ensure the clients safety when entering and exiting the bathing system. (Ability to utilize handgrips, correct entry height, etc.)
- ALWAYS be prepared before transferring a patient into the tub.
- ALWAYS rotate the door handle completely to open or close the door.
- **ALWAYS check the water temperature before the patient enters the tub or to use the cleaning shower.**
- Clean bathtub after each use.
- Disinfect bathtub between each use.
- All valves should be closed after bathing is completed.
- When using disinfectant, wear rubber gloves and eye protection. In case of eye or skin contact, follow the procedures on the disinfectant container.
- A weekly safety check should be performed to ensure all hoses, pipes, connections and securing devices are in safe working order.
- Keep all tub components clean and dry.

DIRECTIONS FOR USE



WARNING: This symbol is intended to alert the user to hazards or unsafe practices which could result in serious bodily harm.



CAUTION: This symbol is intended to alert the user of the presence of important operating and maintenance instructions which could prevent product damage or possible personal injury.



NOTE: This symbol offers helpful information concerning certain operating procedures.

HIGH/LOW FUNCTIONS

Raising or lowering the Transcare provides care givers with a safe working environment.



Check that no obstacle obstruct the rise or the descent of the bathtub.

Press to raise tub



Press to lower tub



TILT ADJUSTMENT

The slope of the tub makes it possible to make pass the user of a sitting position to a reclining position without any effort.



Check there is no obstruction and adequate room before reclining the tub.

Press to recline.



Press to return to upright.



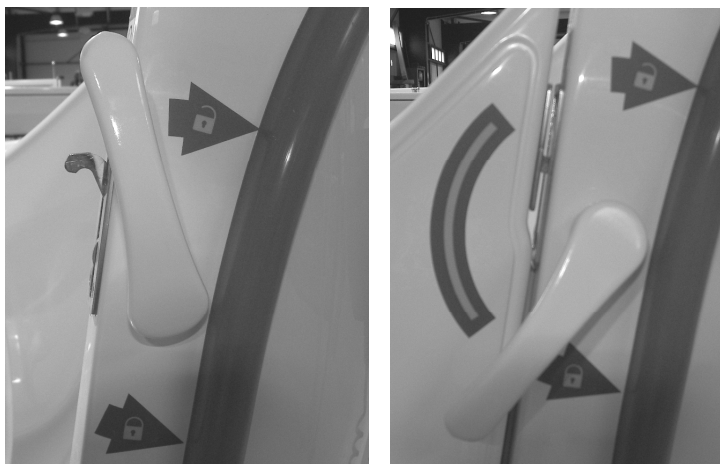
DIRECTIONS FOR USE

DOOR OPERATION



Check there is adequate room to open the door.

To close the door, pull the door down into position, and fully rotate the handle counter clockwise until you feel the locking mechanism engage. The handle should be positioned as shown in the photo when properly closed.



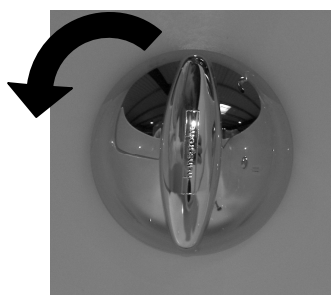
To open the door, fully rotate the handle in a clockwise direction, until it stops, and lift the door up. Care should be taken not to let the door fly up on its own. Raise the door slowly until it reaches its maximum opening point.



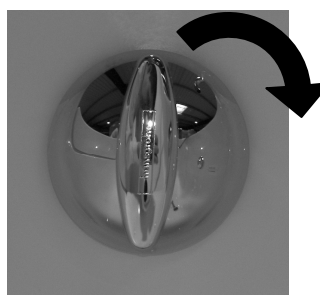
Fully rotate the handle to lock the door but without to force.

PLUG OPERATION

Turn the button in a clockwise direction to close the drain plug and counter clockwise to open it



OPENING



CLOSING

DIRECTIONS FOR USE

ADJUSTMENT OF THE WATER TEMPERATURE :

To adjust the water temperature,, pass your finger in front of the cold water sensitive captor (blue triangle) or in front of the hot water (red triangle) according to the temperature desired.



Factory pre-set with PDA:

- Max outlet temperature for bath: 44°C.
- Max outlet temperature for shower: 41°C.
- Min outlet temperature for bath: 37°C.
- Min outlet temperature for shower: 33°C.
- Default outlet temperature for bath: 38°C.
- Default outlet temperature for shower: 36°C.
- Flow times (bath): 3min30s, allow to fill until "max water level" indication.
- Flow times (shower): 2min

BATH FILLING

The filling cavity of the Transcare tub requires less then 90 litres of water to be filled to its maximum level. When the tub is placed in recline position, this amount of water is sufficient to fully immerse the client. Fill only to the maximum water level indicator. The overflow drains are designed to prevent an accidental overflow.



Check the water temperature. If necessary , adjust it via the digital mixer.

Close the drain plug by turning the button in a clockwise direction.

Pass the finger in front of the pictogram of the tap.



WATER ADDITION



It is possible to add water into the bath when it is tilted. However, before levelling the bath to its upright position, the water level must be decreased by opening the drain plug to avoid water overflow and splashing.

DIRECTIONS FOR USE

PATIENT SHOWER

The shower head can be operated at any time.

Pass the finger in front of the pictogram of the shower head and adjust the flow intensity with the tap in front of the bath.



Select the desired temperature by adjusting the temperature valve as described above.
The shower head spray can be adjusted from a wide to narrow flow.



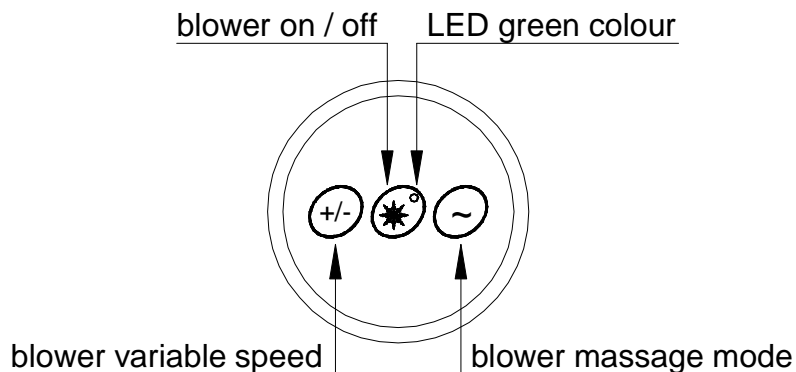
After each use, turn off the valve.

THERMIC DESINFECTION

The « rada sense » control box is equipped with a system of thermic disinfection for its pipes, which is controlled by a PDA. Only a recognised technician can do this operation, so please call REVAL CC.

HYDROTHERAPY

Heated compressed fresh air is passed into the tub via 12 diffusers which are aimed at the major muscle groups around the body. This helps to develop muscle tone, improved circulation and patient relaxation.



Auto switch off : 30 minutes after the user operates one of the buttons the last time
The blower will switch OFF automatically.

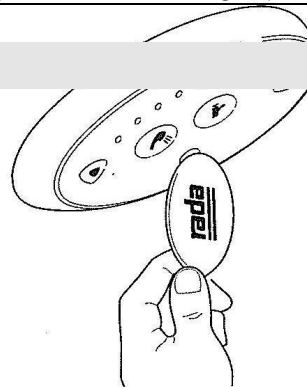


Drying cycle : 30 minutes after manual or auto switch OFF, the blower starts up at High Speed for 2 seconds. Then it drops to Low Speed and increases gradually to High Speed within half a minute. Then it continues running 4 or 5 minutes at High Speed.

MAINTENANCE

CLEANING THE CONTROL PANEL

To clean the "rada sense" control panel, take the magnetic key located behind the security door in front of the bath and pass it in front of the infra red of the control panel to deactivate it. To reactivate the control panel, do the inverse operation.



CHROMOTHERAPY (OPTION)

CHROMOTHERAPY (OPTION)

Chromotherapy is dynamic LED (light emitting diode) therapy which utilises no less than two pairs of 51 coloured LED's positioned under the bathwater level, designed to colour the bathwater and room lighting to provide a uniquely relaxing and atmospheric experience for service users. The LED's automatically alternate in colour and on/off switching. This can also be set to manual adjustment for fine tuning the mood of the bathroom to suit the mood and requirements of the user. There are several lighting sequences that will create the perfect atmospheric sensation. This coupled with Reval's Hydro-Aromatherapy system deliver the ultimate in bathing comfort, relaxation and rehabilitation.

The Chromotherapy control button allows the user or care giver total control when using the chromotherapy function. The chrome circular surface mounted button pad with function mode LED which informs the user as to the function status.

There are three main function modes:

1. On/Off - press function button once to switch on (led stable)
2. Auto colour change sequence - press button again for two seconds to activate auto colour sequence (LED flashes intermittently)
3. Manual colour sequence – press once to switch to manual colour sequence then again when you wish to change colour. After the sequence has run the system will switch to off mode! To reactivate, follow steps 1-3.



HYDRO-AROMATHERAPY (OPTION)

Reval give all areas of patient well being and safety careful consideration. Its unique "Aromatherapy" system combines the benefits of hydro-massage with the relaxing aromatic effects, of infused aroma essence, providing the ultimate bathing and rehabilitation experience. The "Aromatherapy" system is compressed heated fresh air technology, which infuses aroma therapy oils at temperature into the hydrotherapy air jet which explodes into the bath water delivering controlled therapy with sensual and relaxing aromas assuring a totally unique and wonderful experience. Reval's new "Aromatherapy" system has an ultra safe auto-clean function which self dries and cleans the internal air ducting pipe work after use automatically. The auto-clean function significantly reduces the risk and development of micro -biological organisms that can develop in humid and wet environments. Reval's unique air ducting system can be dismantled without the need for tools and can be termically cleaned during routine servicing in a matter of minutes.



TO OPERATE:

1. Simply remove the chrome cap, take the wooden spatula, soak in aromatherapy oil and replace it in to the essence well. Replace the chrome cap) finger tight). Do not over tighten!
2. Switch the Aromatherapy system on via the circular control panel. Once up to temperature the heated air infuses with the aroma oil and releases its fragrance into the water via the diffuser jets positioned in the bottom of the bath tub. The aroma is carried inside the bubbles and explodes on contact with the water releasing the sensual aromatic fragrances in to the air.
3. For extended use switch off and re-soak the spatula as described in points 1&2.
4. The hydro Aromatherapy has an alternating intensity function. To activate this potion press the ~ button on the control panel. The intensity will increase and decrease automatically providing needed therapy without sensitivity and discomfort for those with sensitive joints and skin conditions.
5. The intensity can also be set at a fixed pressure for those who enjoy the continuous sensation and work-out. To fix the intensity level simply press the + or – button on the control panel until the desired intensity has been found.
6. To switch off press the middle button on the control panel marked 1/0.
7. The Aromatherapy system has a self cleaning function called "Auto Clean" Once the system has been switched off the status LED on the On/Off button changes from ON to Intermittent flashing. This indicates that the system has gone into stand-by mode and will
Automatically switch on again and run for 5 minutes self drying any build up of humidity in the internal hydro plumbing system. After five minutes the system will shut down.

AUDIO SPA (OPTION)

The "Audio spa" option consists of two loudspeakers, a waterproof amplifier, a MP3 player and a control panel including the commands "One / Off" and "volume" as well as an embeded box with removable panel allowing to receive and to connect the MP3 player.

Operation :

- Take the MP3 player.
- Set it and add in musics of your choice.

Respect the legislation.

- Connect the MP3 player (headphone plug) to the DIN plug located inside the embeded black box.
- Read your MP3 player.
- Push on the button 0/1 located on the control panel.
- Adjust the volume thanks to the potentiometer.
- In case the tone would not be sufficient, increase the volume from the MP3 player.



To guarantee the longevity of the amplifier, think to switch off it by pressing on the button "On / off".

MAINTENANCE

CLEANING THE TUB & DOOR SEAL

Only use liquid products (liquid soap).

Don't use abrasive products like "scouring cream" to avoid scratches on the tub surface "Gelcoat".

Furthermore, to eliminate calcareous marks settled by water moving, we recommend to use the scaler (Gel Servex).

Do not swill down the outside of the tub.
Do not use liquid soap and the scaler (Gel Servex) on the control panel elements;
Rada sense mixer and whirlpool control.

Open the door, clean and dry the door seal removing dirt. Wipe with a soft cloth

DISINFECTING THE TUB

- Spray a suitable cleaner or disinfectant onto the interior tub surface.
- Let the disinfectant activate for 2 minutes on the bath surface then rinse off using the patient.
- Thoroughly rinse the interior tub surfaces.
- Dry the interior tub surfaces with a soft cloth.

CLEANING OF THE HYDROTHERAPY SYSTEM

To ensure reliability please follow the 4 stages cleaning :

1^{ère} Stage :

Switch off the whirlpool option and empty the bath.

2^{ème} Stage :

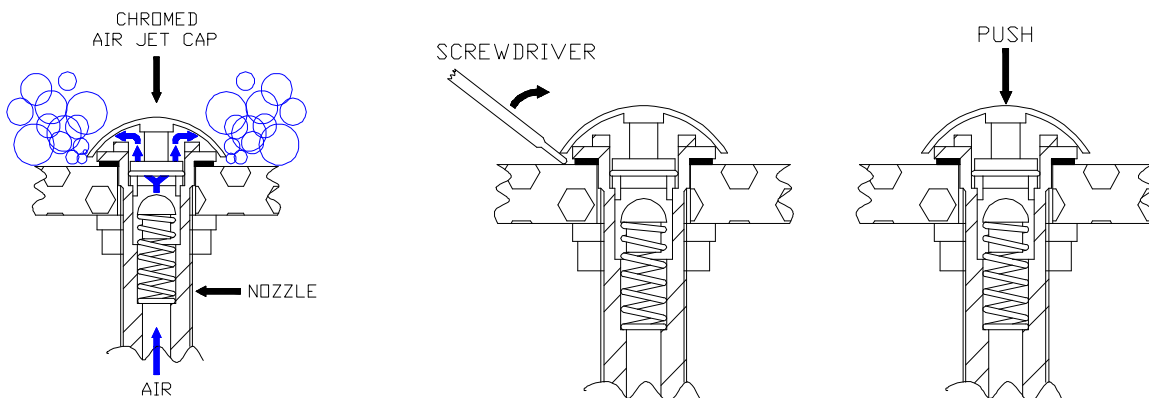
Use a flat screwdriver to remove the air jet cap.

3^{ème} Stage :

Clean the chromed air jet cap, the nozzle and the ball. Then reposition the air jet cap on the nozzle.

4^{ème} Stage :

. Press on the chromed cap right down. Check that it is correctly positioned on the nozzle. Switch on the bath and the whirlpool system to check they are working properly.



PERIODIC INSPECTION

1) Periodic inspection of the bathtub should be undertaken at the time intervals stated by the manufacturer, but at least once a year. By periodic inspection is meant a visual examination on all the functions of the bathtub and particularly on the safety systems (anti-crushing device, emergency stops,...)

Every inspection should include a working load of one (1) lifting cycle with the maximum load.

2) Periodic inspection should be performed by a person who is suitably and properly qualified and well acquainted with the design, use and care of the bathtub. The scope of the periodic inspection should be included in the manual supplied with the bathtub.

3) Any observations of importance for the safety of the bathtub should be noted, preferably in a logbook which should be retained by the person (s) responsible for the servicing / maintenance of the bathtub.

The date when corrective actions are taken, in response to noted observations, should also be noted in the logbook.

4) A record of the date of inspection of the bathtub and inspection result should be noted in the logbook together with the signature of the inspector.

5) If periodic inspection reveals any defect, wear or other damage that jeopardises the safety of the bathtub, the owner should immediately be notified.

In the event of immediate danger to safety, the bathtub should immediately be taken out of service. It may then not be used until the deficiency has been eliminated.

6) Defects and damages of importance to the safety of the bathtub that have occurred between inspections and have already lead to corrective actions should be entered in the logbook.

7) Defects and damages should be reported back to Reval for action.
This feedback should be reported in the logbook.

MAINTENACE FORM (LOGBOOK)

Control date	Safety parts		Observations	Corrections	Agent (name and signature)



FRANCE :

Reval®

Z.A. Fief des Prises

Usseau 17220 Sainte Soulle

Tel: (33) 05.46.42.04.16

Fax: (33) 05.46.43.06.38

www.groupe-reval.com

UNITED KINGDOM :

Reval® Continuing Care Limited

Unit 17 Brynmenyn Busines Centre

St Theodore's Way - Brynmenyn

CF32 9TZ BRIDGEND - WALES

Tel: 01656 721 001

Fax: 01656 720 006

www.reval-group.com