

EN Instruction manual



MULTIPURPOSE SHOWER & TOILET ARMCHAIR

# SOFLEX

5601.00 (hydraulic model)

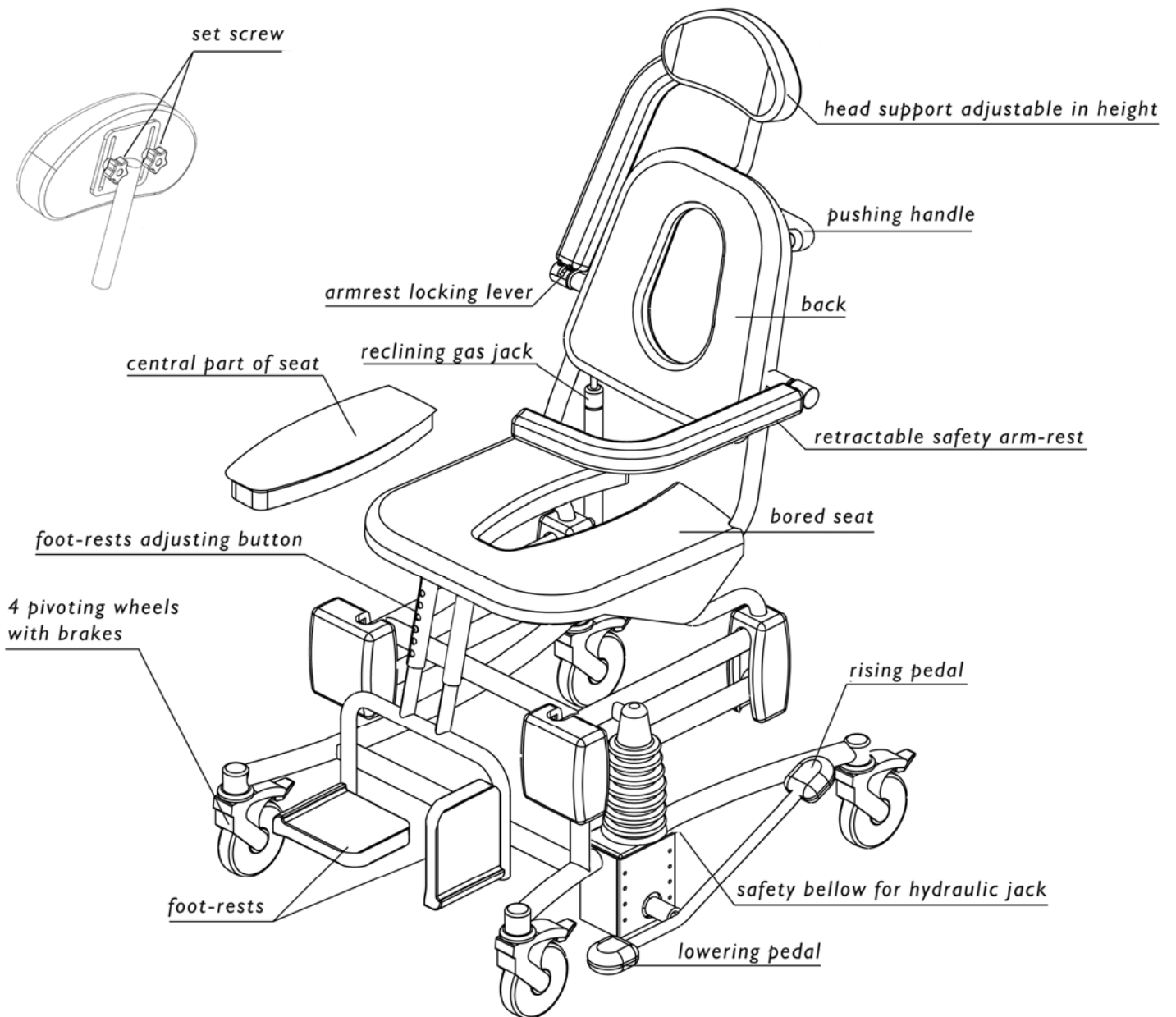
# SUMMARY

## TABLE DES MATIERES

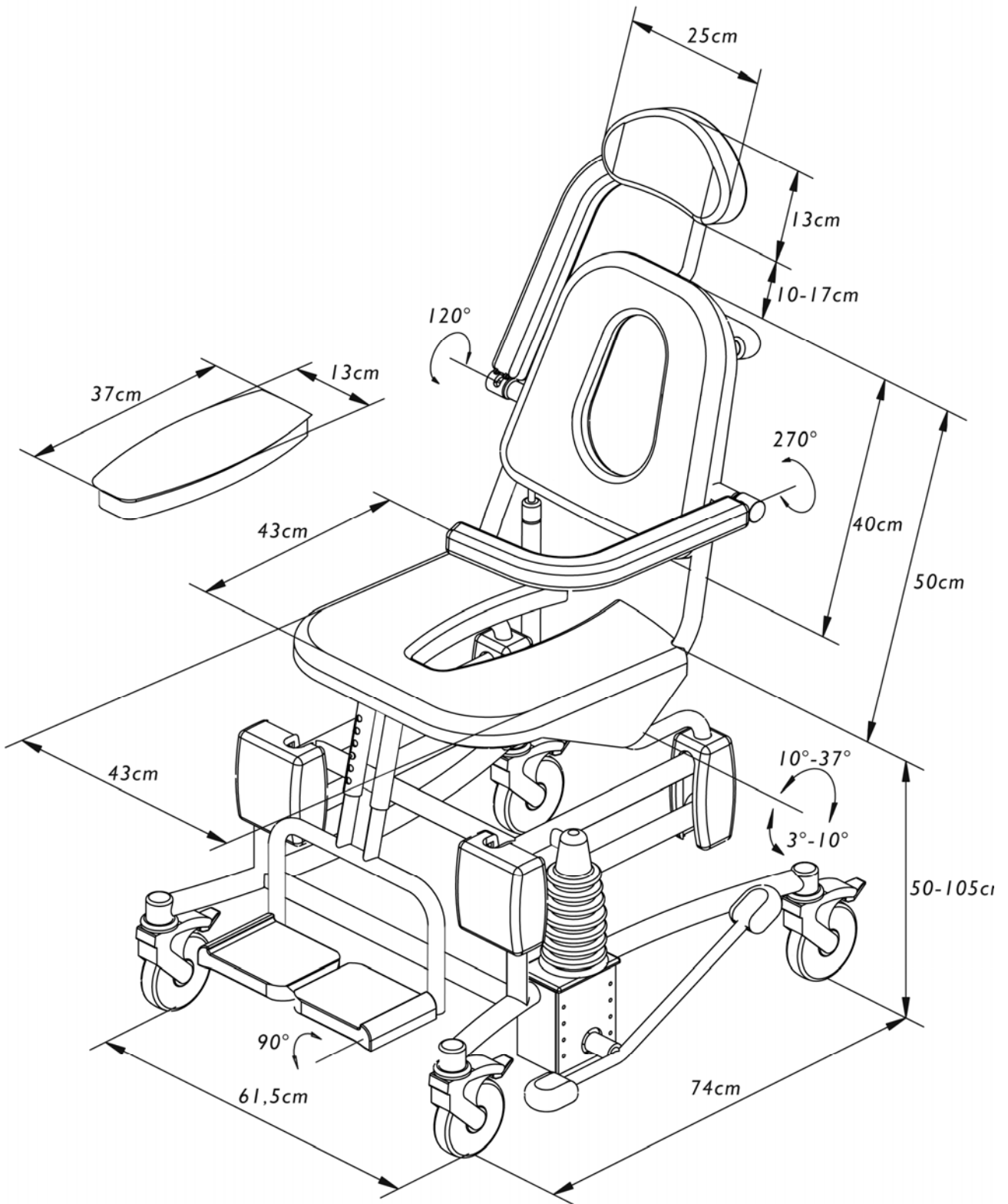
## PAGES

GENERAL DRAWING	2
-----	
DIMENSIONS	3
-----	
TECHNICAL SPECIFICATIONS	4
-----	
OPERATION	4
-----	
RANGE OF APPLICATION	5
-----	
DIRECTIONS FOR USE	
UP & DOWN	6
SEAT RECLINING	6
ADJUSTMENT OF THE HEAD SUPPORT	6
ADJUSTMENT OF THE FOOTREST	7
RETRACTABLE SAFETY ARMRESTS	7
STANDSTILL OF THE SHOWER CHAIR	7
-----	
PROCEEDING	
SAFETY RULES	8
SITTING DOWN & TRANSFER OF PATIENT	8
TOILET	8
HEIGHT ADJUSTMENT	9
SEAT RECLINING	9
USE OF BEDPAN	9
USE OF THE TOILET FUNCTION	9
-----	
PERIODIC INSPECTION	10
-----	
MAINTENANCE /CLEANING	11
-----	
MAINTENANCE FORM (LOGBOOK)	12
-----	

# GENERAL DRAWING



# DIMENSIONS



## TECHNICAL SPECIFICATIONS

### GENERAL

- Structure of tubes in steel, anti-corrosion coated, Rilsan.
- Mechanical parts and hinges in stainless steel.
- Insert of seat and slide for basin or bucket.
- Pivoting wheels in synthetic matter, Ø 125mm, with double blocking.
- Pushing handle.
- Seat, backrest, armrests, head support and footrest in polyurethane.
- Adjustment in height by hydraulic pump and pedal.
- Reclining of the seat assisted by a gas jack.

### PERFORMS

- |                                |             |
|--------------------------------|-------------|
| • Maximum patient weight :     | 135kg       |
| • Weight of the chair :        | 35kg        |
| • Minimal height of the seat:  | 50cm        |
| • Lifting range :              | 55cm        |
| • Slope of the seat :          | jusqu'à 37° |
| • Head support adjustable on : | 7cm         |
| • Footrest adjustable on :     | 8cm         |

### DIMENSIONS

- |   |  |
|---|--|
| • Surface on the ground:                                | 61,5cm x 74cm                          |
| • Tilting angle of the seat during lifting function :   | lowest point: 3°<br>highest point: 10° |
| • Tilting angle of the seat during reclining function : | between 10° and 37°                    |
| • Turning angle :                                       | 100°                                   |

### CONFORMITY

- Chair **Soflex** is a product affixed of E.C. marking, in accordance with directive EC 93/42 of June 14, 1993 relating to the medical equipment.

## OPERATION

Chair **Soflex** is made up of a frame and a seat, which offers same comfort and the same support as a normal seat. High/low and seat reclining functions are ensured thanks to an hydraulic pump and a gas jack and make the chair **Soflex** a multipurpose product.

The shower chair **Soflex** is delivered with two retractable safety armrests, a retractable footrest and a head support adjustable in height.

## RANGE OF APPLICATION

The lifting armchair **Soflex** for shower and W.C. is an accessory making it possible to proceed to the care and the toilet of the users in an ergonomic way. Le Comfort is optimal, as well for the user as for the looking after personnel. Chair **Soflex** can also be employed like chair of W.C., with use of a basin or a bucket, or well directly on the W.C.

The shower chair **Soflex** must be used only by qualified people who have read and understood the user manual.

The shower chair **Soflex** has a maximum lifting capacity of 135 kg.  
Check the weight of the patient before each use of the chair !

Transfer of patient may be done only if the ground is firm, flat and have an inclination of less than 5 degrees.

***! The manufacturer will not be responsible if the shower chair Soflex is used, changed or assembled in other way than prescribed in this manual.***

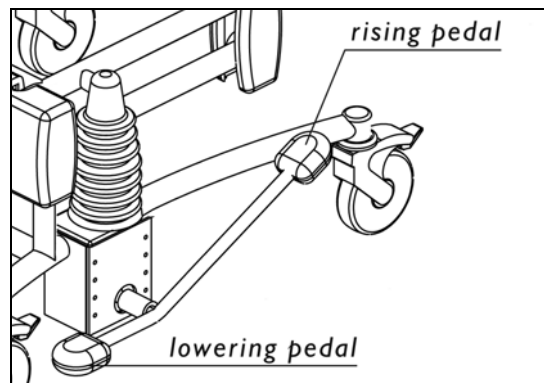
## **DIRECTIONS FOR USE**

### **1) UP & DOWN**

Use the lowering/raising pedal :

To go up, press down quietly and evenly on the long end of the pedal.

To go down, press down the short end of the pedal. The seat will lower under the influence of gravity ; control the lowering speed by slightly holding down the pedal.



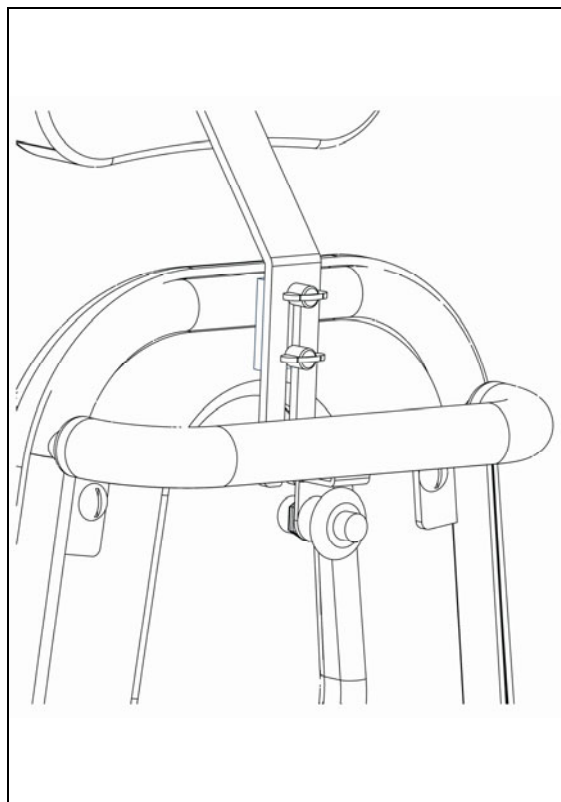
### **2) SEAT RECLINING**

Use the button of the gas jack and the pushing handle :

Pull, at the same time, the control lever and the handle to recline the seat.

### **3) ADJUSTMENT OF THE HEAD SUPPORT**

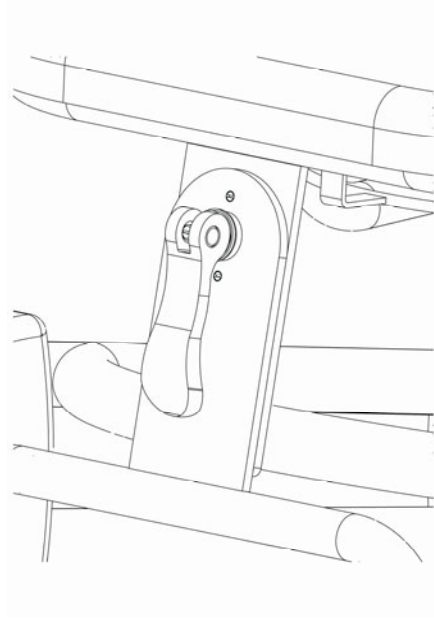
To adjust the height of the head support, unscrew the 2 set screws located behind the head support. Adjust the height. The height can be adjusted on 7cm. Screw again the set screws.



## **DIRECTIONS FOR USE**

### **4) ADJUSTMENT OF THE FOOTREST**

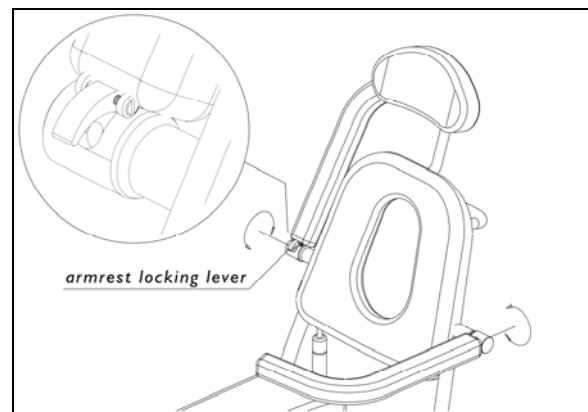
To adjust the footrest, raise the lever



### **5) RETRACTABLE SAFETY ARMRESTS**

The 2 safety armrests can be swivelled on 360° and folded back behind the head support.

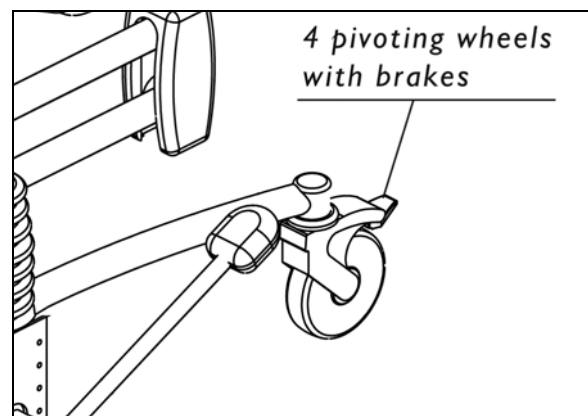
To unlock the armrests, push on the the locking lever.



### **6 STANDSTILL OF THE SHOWER CHAIR**

Lock the brakes of the chair by stepping down on the extended lips located on the wheels.

Unlock the brakes by pressing down the vertical levers of the wheels.





## PROCEEDING

### 1) SAFETY RULES



- ☞ Ensure that the brakes of the shower chair are always locked during rising, lowering or reclining of the seat.
- ☞ Ensure that the safety armrests are in the good position and locked during transfers, rising, lowering or reclining of the seat.
- ☞ Only ride and manoeuvre the chair in its lowered position.
- ☞ Always maintain the pushing handle during tilting of the seat.

### 2) SITTING DOWN & TRANSFER OF PATIENT

- a) Adjust the height of the seat in function of the patient's size.
- b) Put the 2 safety armrests in low position or fold up them behind the head support.
- c) Put both footrest in vertical position.
- d) Check that the patient stands up straight and holds on to a fixed support like a bed or a bracket.
- e) Ride the shower chair **Soflex** from behind towards the patient, until the transversal bar touches the patient.
- f) In the event the patient needs help sitting down, lock the 4 brakes first.
- g) The patient lowers himself and sits on the shower chair.
- h) Put the 2 safety armrests in horizontal position and ensure they are locked.
- i) Adjust the height of the footrest if necessary.
- j) Fold down both footrest. Put the legs of the patient on the footrest.
- k) Adjust the height of the head support for the comfort of the patient.
- l) The patient can be transferred towards shower room or W.C.

☞ For standing up, follow these steps in reverse order.

### 3) TOILET

- Lower the shower chair **Soflex** into the required position for washing the upper body and the hair.
- Upper the shower chair **Soflex** into the required position for washing the lower body and the legs.
- Incline the shower chair **Soflex** into the required position for washing the less accessible parts of the body.

## PROCEEDING

### 4) HEIGHT ADJUSTMENT

- a) Lock the brakes of the 4 wheels.
- b) Ensure that the safety armrests are in the good position and locked.
- c) Press down quietly and evenly on the long end of the pedal.
- d) Proceed to care and toilet of the patient.
- e) To go down, press down the short end of the pedal. The seat will lower under the influence of gravity ; control the lowering speed by slightly holding down the pedal

### 5) SEAT RECLINING

- a) Lock the brakes of the 4 wheels.
- b) Ensure that the safety armrests are in the good position and locked.
- c) Pull, at the same time, the control lever and the handle to recline the seat.
- d) Proceed to care and toilet of the patient.

☞ Follow these steps in reverse order to raise the seat.

### 6) USE OF BEDPAN

If you want to use the shower chair **Soflex** as a toilet seat :

- a) Remove the middle part of the seat before the patient sits down.
- b) Slide the bedpan under the seat from the rear.

### 7) USE OF THE TOILET FUNCTION

- a) First remove the middle part from the seat before the patient sits down, when the shower chair **Soflex** is moved around a toilet.
- b) Raise the shower chair **Soflex** to the correct height for the toilet.
- c) Move the shower chair **Soflex** backwards until it is positioned above the toilet.
- d) If required, lower the shower chair **Soflex** to its correct position.

☞ The shower chair **Soflex** does not fit over all toilet types.

## PERIODIC INSPECTION

1) Periodic inspection of the shower chair **Soflex** should be undertaken at the time intervals stated by the manufacturer, but at least once a year. By periodic inspection is meant a visual examination (particularly of the chair's load bearing structure and lifting mechanism with attachments, brakes, controls, safety devices and person-support devices) and whatever function tests and maintenance measures may be required, e.g. adjustment of brakes, tightening of fasteners.

Every inspection should include a working load of one lifting cycle with the maximum load.

2) Periodic inspection should be performed by a person who is suitably and properly qualified and well acquainted with the design, use and care of the shower chair **Soflex**. The scope of the periodic inspection should be included in the manual supplied with the chair.

3) Any observations of importance for the safety of the shower chair **Soflex** should be noted, preferably in a logbook, which should be retained by the person (s) responsible for the servicing/maintenance of the chair.

The date when corrective actions are taken, in response to noted observations, should also be noted in the logbook.

4) A record of the date of inspection of the chair and inspection result should be noted in the logbook together with the signature of the inspector.

Any detachable rigid body support units included in the inspection should be plainly marked for identification and noted in the logbook. The record should include the situation of use (home or type of institution etc...)

5) If periodic inspection reveals any defect, wear or other damage that jeopardises the safety of the shower chair **Soflex**, the owner should immediately be notified.

In the event of immediate danger to safety, the shower chair should immediately be taken out of service. It may then not be used until the deficiency has been eliminated.

6) Defects and damages of importance to the safety of the chair that have occurred between inspections and have already lead to corrective actions should be entered in the logbook.

7) Defects and damages should be reported back to Reval for action. This feedback should be reported in the logbook.

## MAINTENANCE

### CLEANING:

- It is advisable to clean the shower chair **Soflex** after each use.
- Use water and normal household cleaning agents to clean the shower chair.
- Regularly check the wheels for hairs and dust and, if found, remove them.
- Remove any excess soap residue.



☞ Do not use abrasive or solvents goods (scouring cream).

☞ Do not use alcohol products for disinfection.

☞ Do not use a jet of water.





**FRANCE :**

Reval®

Z.A. Fief des Prises

Usseau 17220 Sainte Soulle

Tel: (33) 05.46.42.04.16

Fax: (33) 05.46.43.06.38

[www.groupe-reval.com](http://www.groupe-reval.com)

**UNITED KINGDOM :**

Reval® Continuing Care Limited  
Unit 15 Brynmenyn Busines Centre  
St Theodore's Way - Brynmenyn  
CF32 9TZ BRIDGEND - WALES

Tel: 01656 721 001

Fax: 01656 720 006

[www.reval-group.com](http://www.reval-group.com)