



NURSING BENCHES

A flexible approach to
changing situations



Nursing Benches

series 3000 - 2000 - 1000

Pressalit Care offers a range of high quality, fixed or power adjusted nursing benches designed to provide a stable platform suitable for changing adults and children in a variety of settings: schools, day care centres, institutions, hospitals and private homes.

- ▮ All the nursing benches are made of materials which are robust and resistant to cleaning agents.
- ▮ The design of the products takes account of current ergonomic and hygiene requirements while ensuring high standards of user comfort.
- ▮ The designs are thoroughly tested and solid, and will withstand many years of daily use.

Respect and the right of the individual to a good life in spite of disability forms the cornerstone of the Pressalit Care philosophy, as summarised by the following words:

keep living

Contents

Nursing Bench 3000 Page 4

Nursing Bench 2000 Page 6

Nursing Bench 1000 Page 8

Dimensioned drawings Page 10

Mounting and accessories Page 11



Nursing Bench 1000



The 1000 series is a range of quality nursing benches with PVC coated canvas stretchers, suitable for a wide range of applications in public or private places.

Carers can easily set the height of the bench, enabling them to obtain the correct working position. This ensures safe showering and changing for the user as well as minimizing the risk of back injury for the carer.

The integrated gas cylinders enable the bench to be folded out of the way when not in use to maximise floor space in front of the unit.



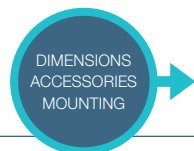
Electric with wired hand control – the red buttons clearly indicate “Up” and “Down”. The wired hand control comes with a holder for fitting to the wall.



Splash curtain for the nursing bench protects the carer against splashing.

R8420	1400 mm
R8421	1800 mm

Materials: Powder-lacquered stainless steel, PVC-coated canvas (phthalate free)
Maximum weight: 150 kg
Colour: 000 White

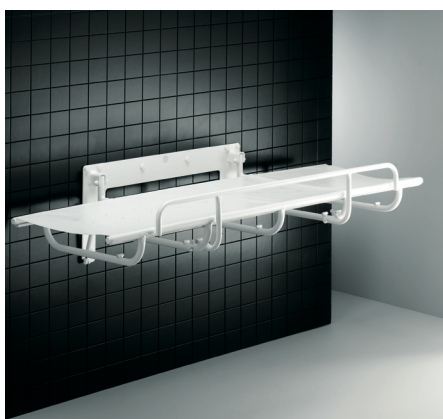


Nursing bench - adjustable height

- R8400** Electric nursing bench, 1400 mm
- ◀ **R8401** Electric nursing bench, 1800 mm
- R8402** Electric nursing bench, with safety rail, 1400 mm
- R8403** Electric nursing bench, with safety rail, 1800 mm

When mounted at the recommended height, the height of the nursing bench can be adjusted from 500 to 900 mm above floor.

Incl. wired hand control.



Nursing bench - fixed height

- R8406** 1400 mm
- R8407** 1800 mm

When mounted at the recommended height, the lying surface height is 865 mm above floor.



Safety Rail

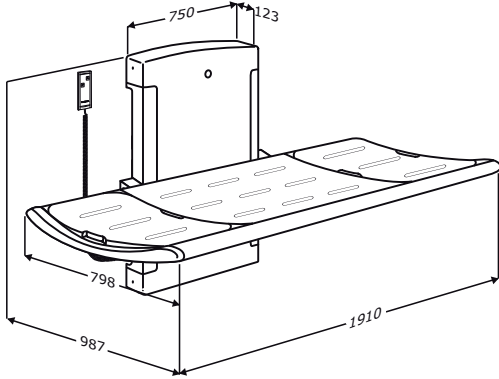
- R8410000** Length 1400 mm, for retro-fitting on changing tables R8400, R8401 and R8406.

Enhances safety for the user.

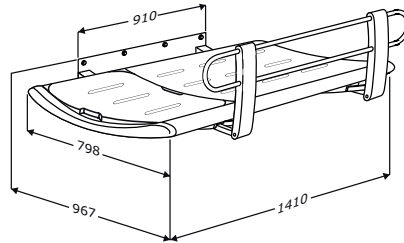
Dimensioned drawings

Nursing Bench 3000

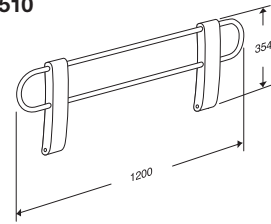
▼ R8518
R8513
R8538
R8533



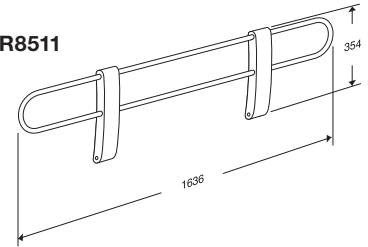
R8508
R8503
R8528
▼ R8523



R8510

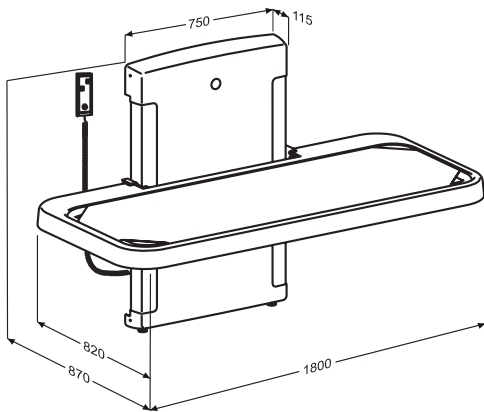


R8511

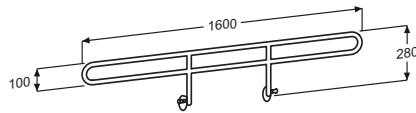


Nursing Bench 2000

▼ R8468
R8478

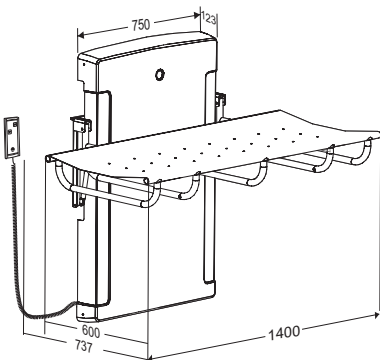


RB2290

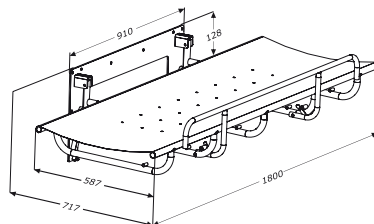


Nursing Bench 1000

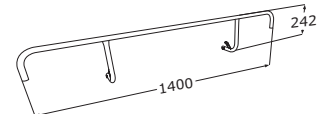
▼ R8400
R8402
R8401
R8403



R8406
▼ R8407



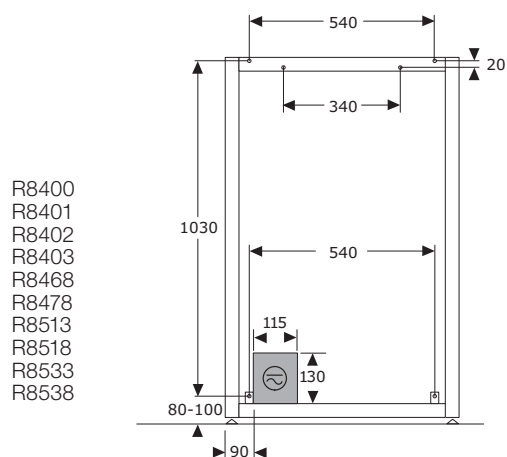
R8410



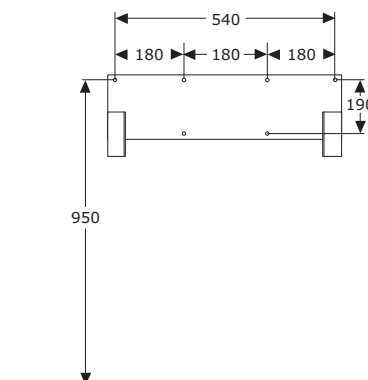
Mounting and accessories

Mounting

Fixing bolts for solid walls are included.



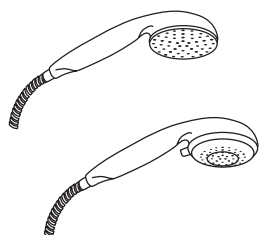
R8400
R8401
R8402
R8403
R8468
R8478
R8513
R8518
R8533
R8538



R8406
R8407
R8503
R8508
R8523
R8528

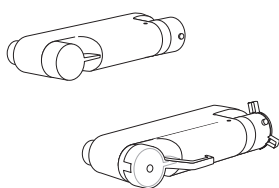
Accessories

RT612 / RT613



Shower head
RT612: One spray mode
RT613: Three spray mode

RT640 / RT641



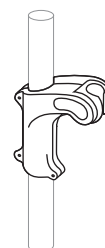
Shower mixer
RT640: With thermostat
RT641: With thermostat and extra long handles.
In line TMV3 valve is required in UK

RT101 / RT102 / RT103



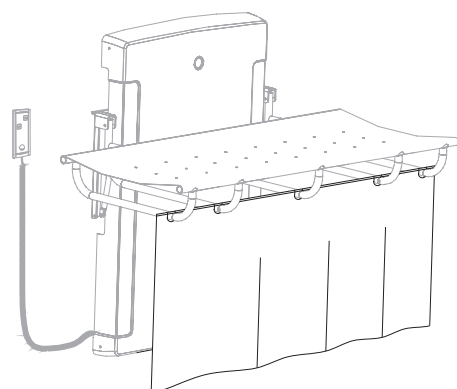
Handrail
RT101: 450 mm
RT102: 600 mm
RT103: 800 mm
Available in: white, anthracite, red and dark blue

RT600



Showerhead holder
For vertical handrail.
Available in: white, anthracite, red and dark blue

R8420 / R8421



Splash curtain
R8420: Suitable for nursing bench R8400, R8402 and R8406
R8421: Suitable for nursing bench R8401, R8403 and R8407

PRESSALIT® CARE

Reduced functionality need not limit a person's development. For more than 35 years, the keep living philosophy has been a guiding principle for Pressalit Care's development of flexible kitchen and bathroom solutions for people with disabilities.

Thanks to its research-based knowledge, Pressalit Care is a market leader within specialist kitchen and bathroom solutions and today provides consultancy to customers worldwide.

An underlying respect for the individual and his or her possibilities is also reflected in the company's relationship to society at large and the local community. At Pressalit, Corporate Social Responsibility (CSR) is deeply rooted in the company's strategy and values and guides all parts of the organisation.

Pressalit Care's head office is located in Denmark.

www.pressalit.com



Phone: +353 (0) 1 8903932
Fax: +353 (0) 1 8903937

Dublin: F1 Swords Enterprise Park, Feltrim Road, Swords, Co Dublin, K67 E984, Ireland.

Cork: 602 Harbour Point Business Park, Little Island, Cork, T45 X624, Ireland.

Web: www.elitehealthcare.ie

elite
healthcare