

# ELECTRIC HI-LO BATHTUB "ONYX" REF: 7440

## DIRECTIONS FOR USE AND MAINTENANCE



Picture: Electric Hi-Lo Bathtub "Onyx" ref: 7440.00  
with "air whirlpool" option ref: 7121.99



*Reval Continuing Care Ltd  
Unit 15 Brynmenyn Business Centre  
St. Theodore's Way  
Brynmenyn Industrial Estate  
Bridgend  
S Wales CF32 9TZ  
Tel: 01656 721 001  
Fax : 01656 720 006  
sales@revalcc.com*

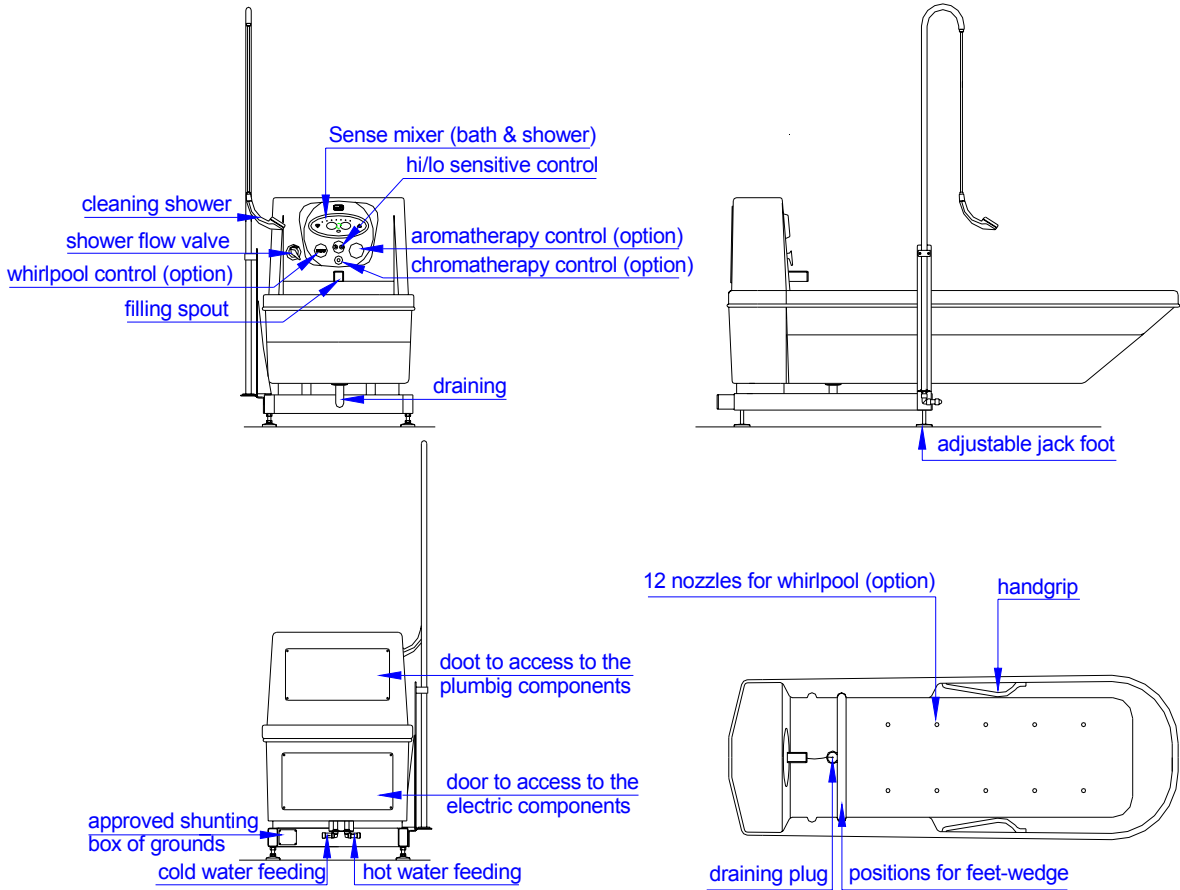


**It is essential to read these directions for use before using your bathtub.**

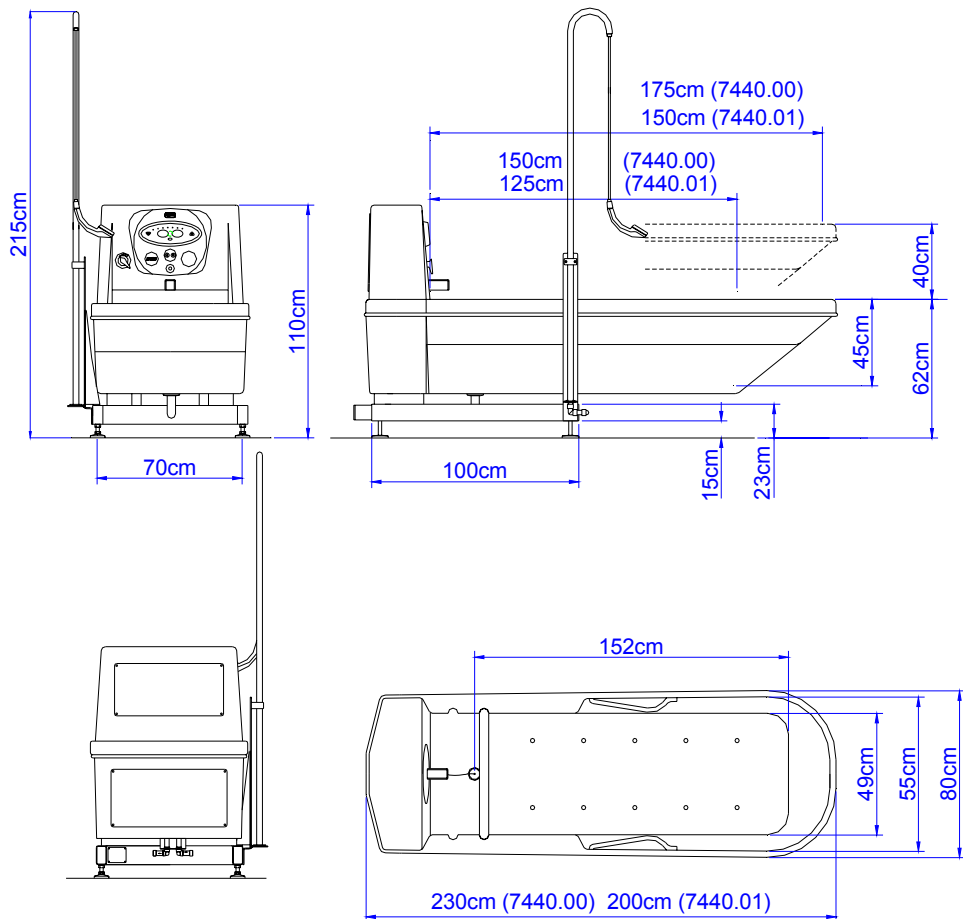
## - SUMMARY -

CONTENTS	PAGES
GENERAL DRAWINGS / MEASUREMENTS	3
-----	
OPERATION	4
-----	
TECHNICAL SPECIFICATIONS	
GENERAL	4
TUB	4
PLUMBING	4
ELECTRICITY	4
-----	
DIRECTIONS FOR USE :	
UP / DOWN	5
SHOWER HEAD	5
FILLING	5
-----	
AIR WHIRLPOOL (IN OPTION)	
OPERATION	6
-----	
AUTOMATIC STOP FILLING (IN OPTION)	
OPERATION	6
CONTROL PROCESS OF THE CAPACITIVE SENSORS	6
-----	
CHROMOTHERAPY (IN OPTION)	
OPERATION	7
-----	
HYDRO-AROMATHERAPY (IN OPTION)	
OPERATION	8
-----	
CLEANING / MAINTENANCE	
CLEANING OF THE TUB AND CONTROL PANEL	9
CLEANING OF THE AIR WHIRLPOOL SYSTEM	9
-----	
MAINTENANCE FORM (LOGBOOK)	10
-----	

**GENERAL DRAWINGS:**



**MEASUREMENTS:**



## **OPERATION:**

Hi/Lo of the bathtub "Onyx" is obtained thanks an electric jack and a gas jack, the first one is driven by an electric control.

To activate bath fill place hand over the bath fill sensor within 30mm. Bath will fill automatically to the fill level and stop automatically when water level indicator is reached. The water level can be stopped and restarted at any time.

Water temperature is adjusted simply by placing your hand over the hot or cold adjustment sensor.

A thermostaticley control patient shower is located in the mid position of the tub. This can be operated in a same way as the bath fill. The shower is programmed to run for two minutes then will stop automatically. The shower can be started or stopped at any time. The spray patterns can be adjusted on the shower head and the flow pressure can be adjusted via the flow adjustment control lever on the front of the bath.

A compressor assures whirlpool (in option).

That is injection of air under pressure with adjustable flow through 12 nozzles equipped with anti-return valve and set at the bottom of the tub.

## **TECHNICAL SPECIFICATIONS:**

### **GENERAL :**

- Maximum water volume (long bath) : 200 liters
- Maximum water volume (short bath) : 180 liters
- Adjustable height from 62 to 102cm
- Empty weight (long bath) : 120 kg
- Empty weight (short bath) : 110kg
- Filling time: ~4 minutes to 3 bars

### **TUB :**

- Reinforced fiberglass tub white colour
- Ergonomic tub without asperities with side handles.

### **PLUMBING :**

- Rada sense bath & shower concealed digital mixing valve offering programmable max, min & default temperatures, automatic temperature on outlet selection, duty flush and thermal disinfection with datalogging capabilities.
- Shower flow control button.
- Adjustable spray handset with 3 different spray actions.
- Manual draining & overflow line.
- Ø 50mm draining plug.

### **ELECTRICITY :**

- General electric feeding : 230V - 50Hz - 180W
- General electric feeding with whirlpool: 230V - 50Hz - 1180W
- Electric jack : 24V - 5,2A - IP66 - stroke 400mm -3000N
- Pump of air whirlpool : 230V - 50Hz - 700W
- Heater : 300W
- Whirlpool control board: 5V

## TECHNICAL SPECIFICATIONS:

### CONFORMITY:

73/23/CEE (low voltage directive)

- 89/336/CEE (EMC directive)
- NF EN 60335-1 (electric standard for bathtub..)
- NF EN 60335-2-60 (electric standard for bathtub...)
- NF EN 1717 (Anti-pollution)
- WRAS (n°0712094)
- TMV2
- TMV3
- DO8

## DIRECTIONS FOR USE:

### ADJUSTMENT OF THE WATER TEMPERATURE

To adjust the water temperature,, pass your finger in front of the cold water sensitive captor (blue triangle) or in front of the hot water (red triangle) according to the temperature desired.



#### Factory pre-set with PDA:

- Max outlet temperature for bath: 44°C.
- Max outlet temperature for shower: 41°C.
- Min outlet temperature for bath: 37°C.
- Min outlet temperature for shower: 33°C.
- Default outlet temperature for bath: 38°C.
- Default outlet temperature for shower: 36°C.
- Flow times (bath): 3min30s, allow to fill until "max water level" indication.
- Flow times (shower): 2min

## BATH FILLING

The filling cavity of the Transcare tub requires less then 90 litres of water to be filled to its maximum level. When the tub is placed in recline position, this amount of water is sufficient to fully immerse the client. Fill only to the maximum water level indicator. The overflow drains are designed to prevent an accidental overflow.



Check the water temperature. If necessary , adjust it via the digital mixer.

Close the drain plug by turning the button in a clockwise direction.

Pass the finger in front of the pictogram of the tap.



## WATER ADDITION



It is possible to add water into the bath when it is tilted. However, before levelling the bath to its upright position, the water level must be decreased by opening the drain plug to avoid water overflow and splashing.

## DIRECTIONS FOR USE:

### PATIENT SHOWER

The shower head can be operated at any time.

Pass the finger in front of the pictogram of the shower head front of the bath.



and adjust the flow intensity with the tap in

Select the desired temperature by adjusting the temperature valve as described above.

The shower head spray can be adjusted from a wide to narrow flow.



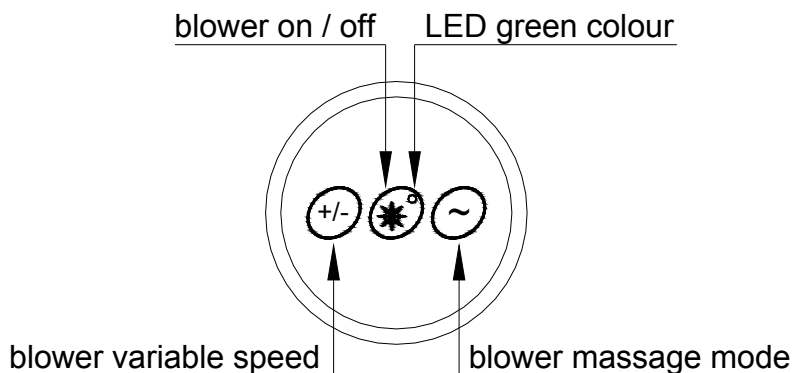
After each use, turn off the valve.

### THERMIC DESINFECTION

The « rada sense » control box is equipped with a system of thermic disinfection for its pipes, which is controlled by a PDA. Only a recognised technician can do this operation, so please call REVAL CC.

### HYDROTHERAPY

Heated compressed fresh air is passed into the tub via 12 diffusers which are aimed at the major muscle groups around the body. This helps to develop muscle tone, improved circulation and patient relaxation.



Auto switch off : 30 minutes after the user operates one of the buttons the last time The blower will switch OFF automatically.

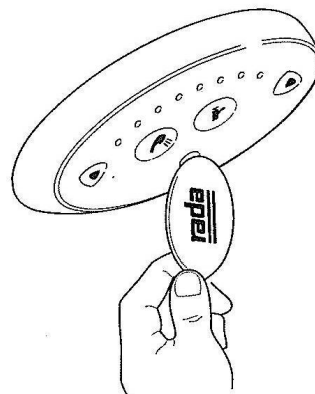


Drying cycle : 30 minutes after manual or auto switch OFF, the blower starts up at High Speed for 2 seconds. Then it drops to Low Speed and increases gradually to High Speed within half a minute. Then it continues running 4 or 5 minutes at High Speed.

## MAINTENANCE:

### CLEANING THE CONTROL PANEL

To clean the “rada sense” control panel, take the magnetic key located behind the security door in front of the bath and pass it in front of the infra red of the control panel to deactivate it. To reactivate the control panel, do the inverse operation.



## **CHROMOTHERAPY (OPTION):**

Chromotherapy is dynamic LED (light emitting diode) therapy which utilises no less than two pairs of 51 coloured LED's positioned under the bathwater level, designed to colour the bathwater and room lighting to provide a uniquely relaxing and atmospheric experience for service users. The LED's automatically alternate in colour and on/off switching. This can also be set to manual adjustment for fine tuning the mood of the bathroom to suit the mood and requirements of the user. There are several lighting sequences that will create the perfect atmospheric sensation. This coupled with Reval's Hydro-Aromatherapy system deliver the ultimate in bathing comfort, relaxation and rehabilitation.

The Chromotherapy control button allows the user or care giver total control when using the chromotherapy function. The chrome circular surface mounted button pad with function mode LED which informs the user as to the function status.

There are three main function modes:

1. On/Off - press function button once to switch on (led stable)
2. Auto colour change sequence - press button again for two seconds to activate auto colour sequence (LED flashes intermittently)
3. Manual colour sequence – press once to switch to manual colour sequence then again when you wish to change colour. After the sequence has run the system will switch to off mode! To reactivate, follow steps 1-3.



## **HYDRO-AROMATHERAPY (OPTION):**

Reval give all areas of patient well being and safety careful consideration. Its unique “Hydro-Aromatherapy” system combines the benefits of hydro-massage with the relaxing aromatic effects, of infused aroma essence, providing the ultimate bathing and rehabilitation experience. The “Hydro- Aromatherapy” system is compressed heated fresh air technology, which infuses aroma therapy oils at temperature into the hydrotherapy air jet which explodes into the bath water delivering controlled therapy with sensual and relaxing aromas assuring a totally unique and wonderful experience. Reval's new “Hydro-Aromatherapy” system has an ultra safe auto-clean function which self dries and cleans the internal air ducting pipe work after use automatically. The auto-clean function significantly reduces the risk and development of micro -biological organisms that can develop in humid and wet environments. Reval's unique air ducting system can be dismantled without the need for tools and can be termically cleaned during routine servicing in a matter of minutes.



To operate:

1. Simply remove the chrome cap, take the wooden spatula, soak in aromatherapy oil and replace it in to the essence well. Replace the chrome cap) finger tight). Do not over tighten!
2. Switch the Hydro Aromatherapy system on via the circular control panel. Once up to temperature the heated air infuses with the aroma oil and releases its fragrance into the water via the diffuser jets positioned in the bottom of the bath tub. The aroma is carried inside the bubbles and explodes on contact with the water releasing the sensual aromatic fragrances in to the air.
3. For extended use switch off and re-soak the spatula as described in points 1&2.
4. The hydro Aromatherapy has an alternating intensity function. To activate this potion press the ~ button on the control panel. The intensity will increase and decrease automatically providing needed therapy without sensitivity and discomfort for those with sensitive joints and skin conditions.
5. The intensity can also be set at a fixed pressure for those who enjoy the continuous sensation and work-out. To fix the intensity level simply press the + or – button on the control panel until the desired intensity has been found.
6. To switch off press the middle button on the control panel marked 1/0.
7. The Hydro Aromatherapy system has a self cleaning function called “Auto Clean” Once the system has been switched off the status LED on the On/Off button changes from ON to Intermittent flashing. This indicates that the system has gone into stand-by mode and will Automatically switch on again and run for 5 minutes self drying any build up of humidity in the internal hydro plumbing system. After five minutes the system will shut down.



## **CLEANING / MAINTENANCE:**

### **CLEANING OF THE TUB AND CONTROL PANEL :**

Only use liquid products (liquid soap).

Don't use abrasive products like "scouring cream" to avoid scratches on the tub surface "Gelcoat".

Furthermore, to eliminate calcareous marks settled by water moving, we recommend to use the scaler (Gel Servex ).

**Do not swill down the outside of the tub.  
Do not use liquid soap and the scaler (Gel Servex) on the control panel elements;  
Thermostatic mixer, hi/lo sensitive control and whirlpool control.**

### **DISINFECTION OF THE TUB**

- Spray a suitable cleaner or disinfectant onto the interior tub surface.
- Let the disinfectant act the amount of time recommended by the manufacturer of the product.
- Thoroughly rinse the interior tub surfaces.
- Dry the interior tub surfaces with a soft cloth.

### **CLEANING OF THE AIR WHIRLPOOL SYSTEM**

-For the efficient functioning of the whirlpool system, the nozzles have to be cleaned on a regular basis ( at least once a year).

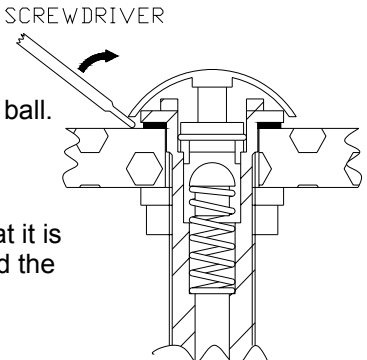
-Functioning of a whirlpool's nozzle. Air is blown through the nozzle and is discharged under the chromed air jet cap.

-There is a risk of heating the air jet cap if the nozzles are not regularly cleaned. Layers of soap or deposit can hinder the circulation of the air. To clean the nozzles, please follow the next stages :

#### **1<sup>ère</sup> Stage :**

Switch off the whirlpool option and empty the bath.

#### **2<sup>ème</sup> Stage :**

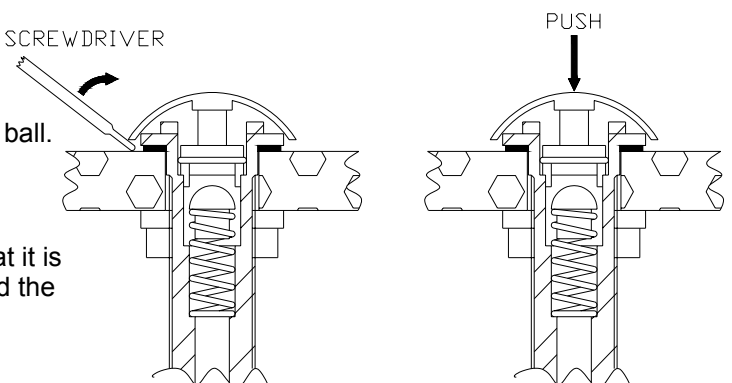
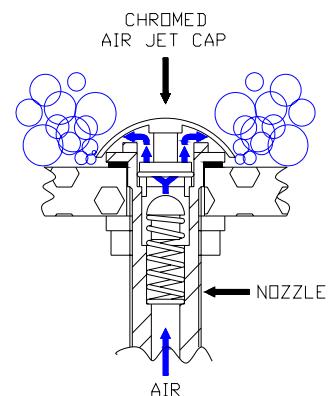
Use a flat screwdriver to remove the air jet cap. 

#### **3<sup>ème</sup> Stage :**

Clean the chromed air jet cap, the nozzle and the ball. Then reposition the air jet cap on the nozzle.

#### **4<sup>ème</sup> Stage :**

Press on the chromed cap right down. Check that it is correctly positioned on the nozzle. Switch on the bath and the whirlpool system to check they are working properly.



**MAINTENANCE FORM (LOGBOOK):**

Agent (name and signature)						
Corrections						
Observations						
Tests Hi/Lo tub						
Safety parts						
Control date						