

## Marina-Beach Buggy

- **Great buoyancy and stability:** it has two floating armrests and of wide wheels that allow the displacement on any place (beaches, pools with ramp ...)
- **Comfortable and easy to use:** facilitates the transfer of people with reduced mobility for bathing or resting.
- **Design and comfort:** made of high strength materials, easy to clean, disassembled and folded quickly for transport or storage.
- **Security:** must be used with the assistance of another person, respecting the safety precautions and current regulations.

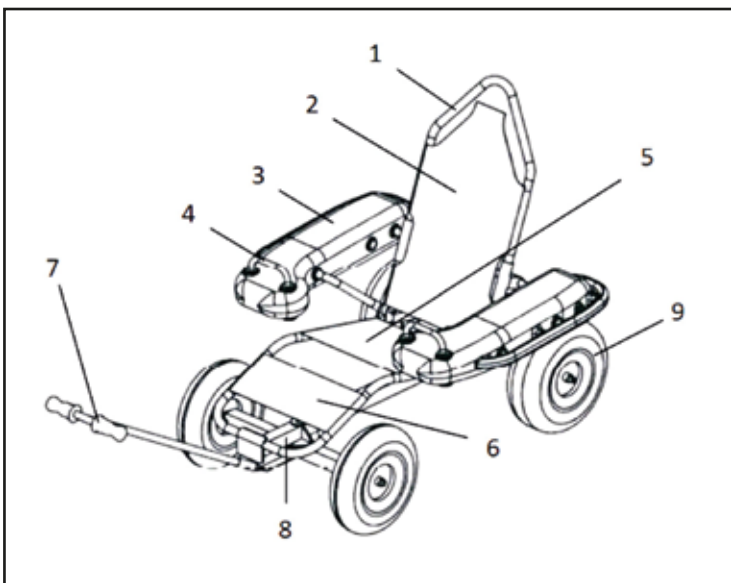


## MAIN PARTS OF THE WHEELCHAIR



- The backrest and foot rest are mesh polyester, which favors:

- the outflow of water and sand.
- greater ventilation and comfort of the person sitting.



1. Accompanying handle
2. Backrest
3. Side floater
4. User handle
5. Seat
6. Foot rest
7. Traction bar
8. Carry structure
9. Wheels

## TECHNICAL CHARACTERISTICS

| PRODUCT            | REFERENCE | SIZES IN MM    | WEIGHT OF CHAIR | MAXIMUM WEIGHT OF THE USER | MATERIALS                    | BACKREST AND SEAT                     | WHEELS              |                                               |
|--------------------|-----------|----------------|-----------------|----------------------------|------------------------------|---------------------------------------|---------------------|-----------------------------------------------|
| <b>MARINA ANFI</b> | 102605012 | 1230x1200x2600 | 31,7 kg         | 130 kg                     | Aluminum<br>Stainless steel  | Polyester<br>fiber coated<br>with PVC | Diameter<br>380 mm. | Inflation<br>pressure<br>2 kg/cm <sup>2</sup> |
|                    |           | 640x560x1220   |                 |                            | Polyethylene<br>Polyurethane |                                       |                     |                                               |

Conforms to standards :  
UNE-EN 12182  
UNE-EN 12183  
Directive 93-42-CEE

2 years warranty

Elite Healthcare Ltd. F1 Swords Enterprise Park, Feltrim Road, Swords, Co Dublin K67 E984  
602 Harbour Point Business Park, Little Island, Cork T45 X624  
Ph: 01 8903932 – E-mail : info@elitehealthcare.ie

[www.elitehealthcare.ie](http://www.elitehealthcare.ie)



With a focus on the continuous improvement of its products, WINNCARE GROUP reserves the right to modify technical characteristics without prior notice. - Non-contractual photos.

Fabricado por



**WINNCARE**  
S p a i n