

Lambda/175

Shower trolley

User instruction

Important information

This user instruction must be read before the shower trolley is used.

This user instruction is intended for technicians, installers, therapists and other personnel, in connection with the use, servicing and maintenance of the Ergolet shower trolley.



Dato: 30.11.2012 - Version 11

Contents

1. Aim and use

1.1	Purpose	4
1.2	Safety instructions	4
1.3	Terminology	4

2. Technical functions

2.1	Functions	5
2.2	Safety functions	6
2.3	Charging	6

3. Use

3.1	Using the shower trolley	7
-----	--------------------------	---

4. Maintenance and check

4.1	Cleaning	9
4.2	Maintenance	9
4.3	Annual check	9

5. Technical data and dimensions

5.1	Technical specifications	10
5.2	Dimensions	10

6. Environment and quality

6.1	Disposal	11
6.2	Battery	11
6.3	Quality	11

1. Aim and use

1.1 Purpose

The shower trolley is used to assist patients requiring a reclined/lying position during the washing/showering situation. During use there must be at least one person present who has received instruction in use of the shower trolley.

1.2 Safety instructions

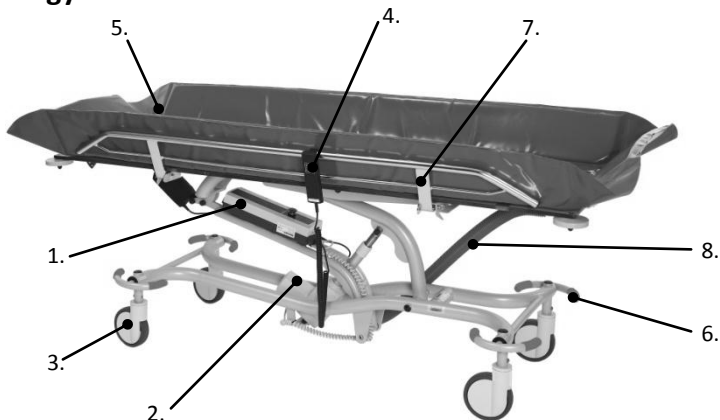


Important – warning!

This user instruction must be read thoroughly before the shower trolley taking in use.

- There must be no indication of wear on the shower trolley.
- The shower trolley must not be loaded over 175kg including water.

1.3 Terminology



1. Control box
2. Motor
3. Wheels
4. Hand control
5. Adjustable and lockable side rails
6. Central braking and directional guide
7. Up and down release of side rails
8. Outlet hose

Fig. 1.3

2. Technical functions

2.1 Functions

The shower trolley is easy to operate. However, before use, please read the following instructions carefully:

1. The hand control (Fig. 2.1) enables easy handling.
 - Press on the button "up" or "down" and the shower trolley going up or down.
 - Press on the button "tilt" and the head section will tilt.

Warning: Be careful using the tilt function since there is a risk that the patient may slip down the shower trolley.

Note: The side rail MUST be up and locked to ensure that the patient safety during operation.



Fig 2.1

2. The shower trolley is emptied via outlet hose (Fig. 2.1a) to drain and then remove the plug. (Fig 2.1b)
Tilt the shower trolley to remove the water. (Fig 2.1c)



Fig 2.1a



Fig 2.1b



Fig 2.1c

2.2 Safety functions

Emergency stop: This function is only to be used in an emergency eg. if the shower trolley does not react or does not stop after releasing the hand control operation. If the emergency button has been activated all functions immediately stops. (Fig 2.2a)

The emergency button is not a contact to switch on/off. It always has to be “on”, meaning it must not be pressed in. The emergency button can be released by turning the button a ¼ turn to the right.

Emergency lowering: The shower trolley is equipped with an emergency lowering system.(Fig 2.2b) The emergency lowering system is used if it is necessary to safely lower a patient. The emergency lowering button is placed immediately under the emergency button. The emergency lowering button is activated using a pointed instrument e.g. a ballpoint pen.



Fig 2.2a



Fig 2.2b

Lowering button

In any doubt, please contact Ergolet.

2.3 Charging

The shower trolley is equipped with rechargeable lead acid batteries that require regular charging. Ergolet recommends that the batteries are charged when the shower trolley is not in use or every night.

The shower trolley can be charged from the wall socket. (Fig 2.3a+b+c) or alternatively using a wall/table external charge unit (accessories). (Fig 2.3d+2.3e)



Fig 2.3a



Fig 2.3b



Fig2.3c



Fig 2.3d



Fig 2.3e

3. Use

3.1 Using the shower trolley

Brakes:

The shower trolley has central braking, direction guides and neutral position.

Using these functions:

In a horizontal position (fig. 1) the trolley is unlocked and all wheels can move freely.

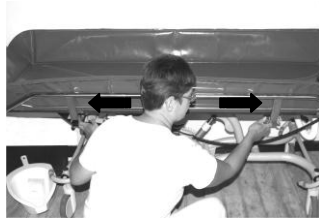
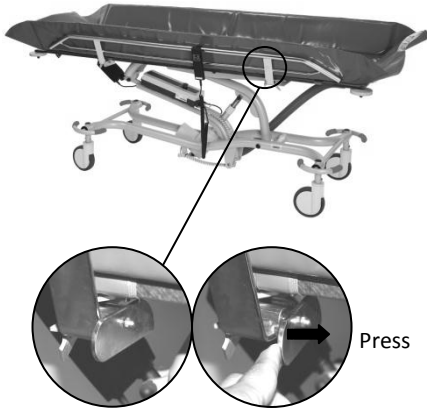
Pressing the directional guide pedal (fig. 2) ensures that the wheels are locked in a straight travel direction (applies only to the head end).

Pressing the brake pedal (fig. 3) locks both front and back wheels.

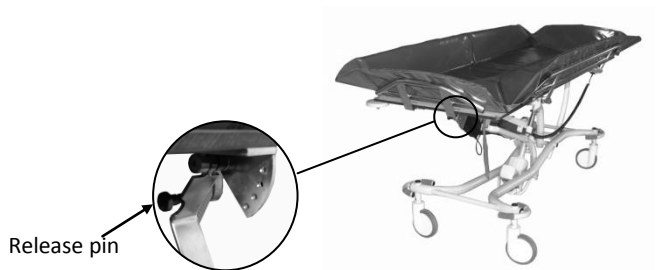


Side rails and end rail:

The side rails can be adjusted in 4 different positions.



Press the holding bracket on both sides at the same time to release the side rail.



Pull the release pin on both sides and the end rail can be lowered or angled.

4. Maintenance and check

4.1 Cleaning

The shower trolley may be cleaned using soap and water. Low power disinfectants may also be used.

4.2 Maintenance

The shower trolley must always be maintained by qualified and authorized personnel who have been approved by Ergolet.

4.3 Annual check

Ergolet recommends the Lambda has an annual service/check. It is the customer to ensure that the annual check is performed.

If it is necessary to replace any parts due to wear or damage these must be obtained/purchased from Ergolet.

5. Technical data and dimensions

5.1 Technical specifications

Lifting properties:

Load capacity: 175 kg
Lifting interval: 56-103cm

Electrical details:

Power supply: 24V ---

Material:

Powder coated stainless steel

Weight:

Weight in total: 115 kg



5.2 Dimensions

Width over side rails	78cm
Length over side rails	206cm
Length/width of chassis	187/60cm
Sideways movement during up/down travel	45cm in top position
Anti-Trendelenburg angle	10°
Wheels	ø150mm

More test results may be available by contacting Ergolet.

6. Environment and quality

Lambda has an expected life time of minimum 10 years under the assumption that all recommended service checks have been carried out and that the normal maintenance and care instructions have been followed.

6.1 Disposal

Disposal of this shower trolley can be made through Ergolet. After useful lifetime Ergolet will receive the trolley back and split the individual fractions in an environmentally friendly way either through reuse or recycling.

Fractions that contain halogens, aluminum, lead acid batteries, electrical component, ABS plastic, steel may damage the environment if not handled in an environmentally responsible way.

6.2 Battery

The shower trolley is equipped with batteries which may be returned either to the local recycling station or to Ergolet at the end of their lifetime.

6.3 Quality

Ergolet is certified according to the quality standard ISO 9001 and ISO 13485.

These certifications mean that the products and the company complies with the international standards for quality management, environmental management and standards for traceability of medical products.

Lambda is classified as a Medical device class 1 product.

Manufacturer:

Ergolet
Taarnborgvej 12 C
4220 Korsoer
Denmark

Phone: + 45 70 27 37 20
Fax: + 45 70 27 37 19
Email: ergolet@ergolet.dk
www.ergolet.com

93/42/EØF CLASS I



UK910-00753