

EN Instruction manual



ELECTRIC Hi-Lo Bathtub

Cocoon

7800.00

7801.00

7802.00

7803.00

CE

SUMMARY

CONTENTS	PAGES
DESCRIPTION	2

DIMENSIONS	3

VERSIONS & OPTIONS	4

TECHNICAL SPECIFICATIONS	5

OPERATION	6

SAFETY INSTRUCTIONS AND WARNINGS	7

DIRECTIONS FOR USE	
HIGH/LOW FUNCTIONS	8
PLUG OPERATION	8
CONCEALED DIGITAL MIXING VALVE RADA SENSE	9
WATTS EUROTHERM MIXER	9
BATH FILL	10
CLEANING SHOWER HANDSET	10
DISINFECTION SHOWER HANDSET	11
AIR WHIRLPOOL (OPTION)	11
AROMATHERAPY (OPTION)	12
CHROMOTHERAPY (OPTION)	13
AUDIO SPA (OPTION)	13
AUTOMATIC STOP FILLING (1 LEVEL) FOR 7801.00 & 7803.00	14
AUTOMATIC STOP FILLING (1 LEVEL) FOR POUR 7800.00 & 7802.00	14
AUTOMATIC STOP FILLING (2 LEVELS)	15

DISINFECTION SYSTEM	
COMPOSITION	16
MANUAL DISINFECTION	16
ADDITION OF DISINFECTANT	16

CLEANING / MAINTENANCE	
CLEANING OF THE TUB AND THE CONTROL PANEL	17
CLEANING OF THE HOT AND COLD WATER FILTERS	17
CLEANING OF THE FILTERING CARTRIDGE OF THE MIXER (WATTS MIXER)	17
CLEANING OF THE FILTER OF THE FILLING SPOUT	18
CLEANING OF THE AIR WHIRLPOOL SYSTEM	18

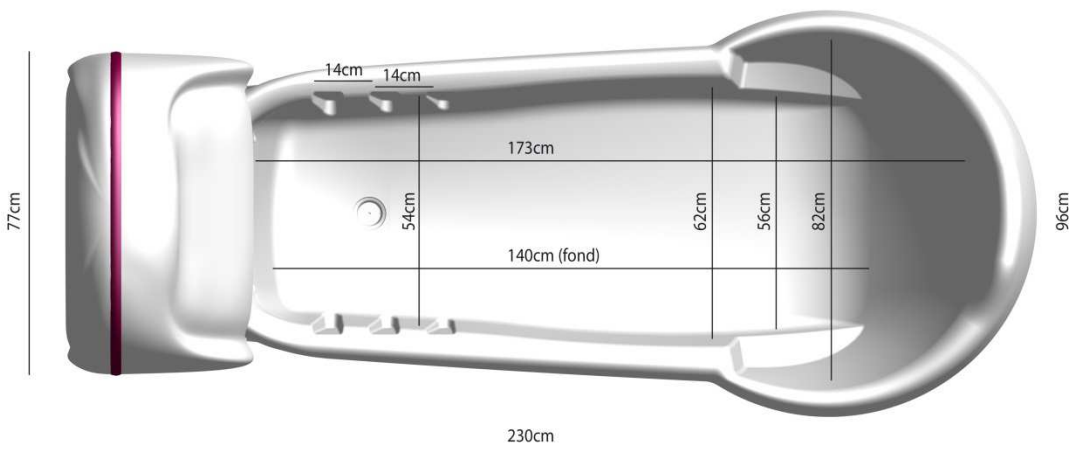
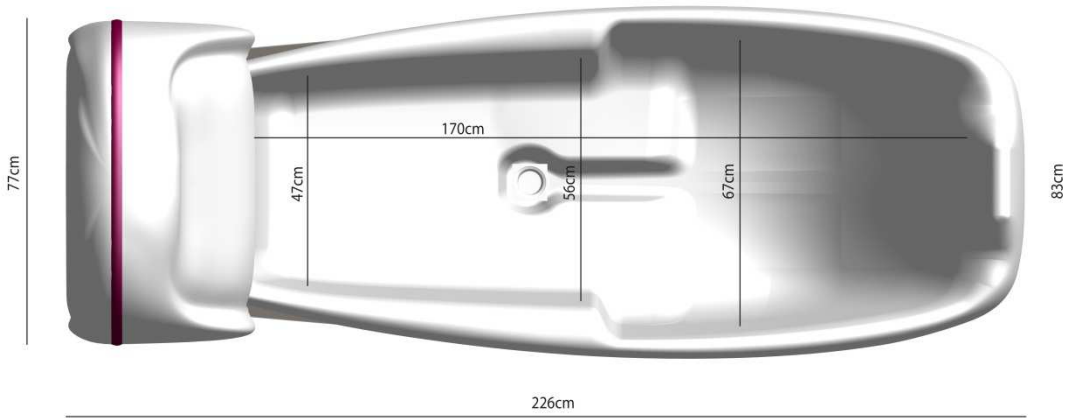
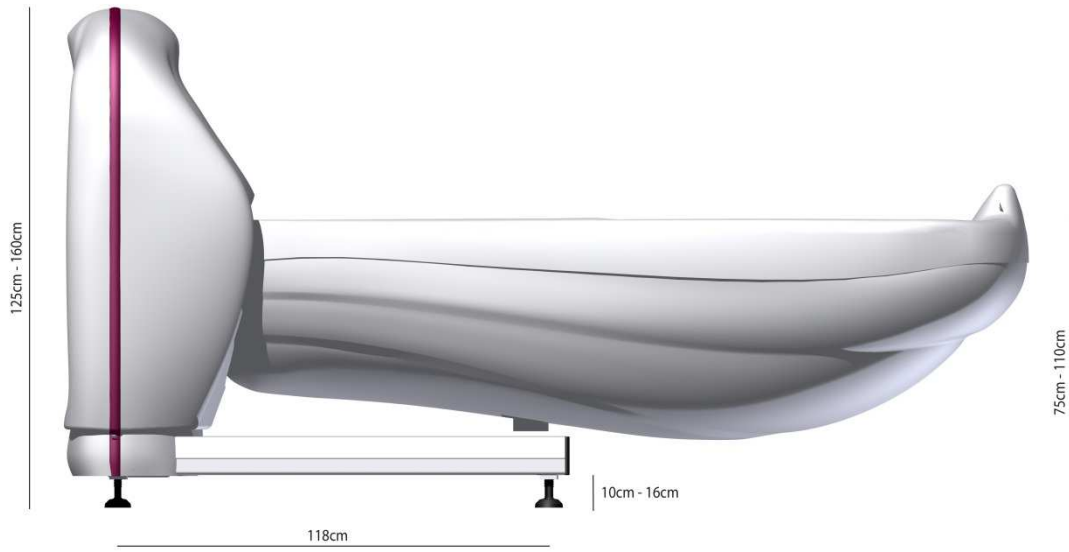
PERIODIC INSPECTION	19

MAINTENANCE FORM (LOGBOOK)	20

DESCRIPTION



DIMENSIONS



VERSIONS ET OPTIONS

VERSIONS:

- REF. 7800.00** Electric Hi-Lo Bathtub COCOON, R'GO tub shape, Watts Eurotherm thermostatic mixer
REF. 7801.00 Electric Hi-Lo Bathtub COCOON, R'GO tub shape, Rada Sense digital thermostatic mixer
REF. 7802.00 Electric Hi-Lo Bathtub COCOON, Key Hole tub shape, Watts Eurotherm thermostatic mixer
REF. 7803.00 Electric Hi-Lo Bathtub COCOON, Key Hole tub shape, Rada Sense digital thermostatic mixer

OPTIONS :

- REF. 7800.10** Disinfection shower handset with trigger, flow adjustment, suction device of the disinfectant product with stop valve, 2 litres tank, secured door with lock with key.
- REF. 7800.20** 12 nozzles air whirlpool with integrated heater.
- REF. 7800.30** Automatic stop filling (1 level) (adjustable water level) for 7800.00 & 7802.00
- REF. 7800.40** Automatic water level control (2 levels). (adjustable water levels)
- REF. 7800.60** Colour-spa, 4 LED lamps.
- REF. 7800.70** Aroma-spa.
- REF. 7800.80** Audio-spa with supplied MP3 player.
- REF. 7110.99** Removable pillow in PVC.
- REF. 7111.99** Round design removable pillow in Polyurethan.

TECHNICAL SPECIFICATIONS

DESCRIPTION

- Reinforced fiberglass tub, white colour.
- Stainless steel handgrips.
- Variable height by electric jack and gas jack.
- Anti-vandal IP67 LED control buttons in stainless steel.
- Cleaning shower handset with flow adjustable valve.
- Grohe manual waste and overflow line.
- Models 7800.00 & 7802.00 : 54 l/min Watts Eurotherm thermostatic mixer with built-in check valves and scald protection.
- Models 7801.00 & 7803.00 : 48 l/min Rada Sense bath & shower concealed digital mixing valve offering programmable max, min & default temperatures, automatic temperature on outlet selection, duty flush and thermal disinfection with data logging capabilities.
- Solar temperature displays.
- Automatic stop filling (1 level) on modes 7801.00 & 7803.00
- Compatible with chair and stretcher lifts.
- Ø 40mm draining plug with siphon.

PERFORMS

- Max. patient weight : 160kg
- Max. weight (water + patient) : 320kg
- Weight of the Cocoon R'GO bathtub : 130kg
- Weight of the Cocoon Key Hole bathtub : 140kg
- Variable height from 75 to 110cm

COCOON R'GO TECHNICAL DATAS

- Ergonomical tub with « no-slip » concept and extra-height of the legs.
- Water volume for 20cm of height of water: 101 litres
- Water volume for 29cm of height of water: 175 litres
- Max. water volume until the overflow line: 228 litres
- Draining time: 4 min

COCOON KEY HOLE TECHNICAL DATAS

- Flat floor tub in key hole shape and bath shortener
- Water volume for 20cm of height of water: 161 litres
- Water volume for 29cm of height of water: 253 litres
- Draining time: 5 min30

COMFORMITY

- C.E. Marking
- 73/23/CEE (Low Power Directive).
- 89/336/CEE (Electromagnetic compatibility directive).

OPERATION

Hi/Lo of the bathtub "Cocoon" is obtained thanks an electric jack and a gas jack, the first one is driven by an electric control.

Filling of bathtub and mixed water feeding of cleaning shower are obtained thanks a thermostatic mixer.

Solar temperature displays allows checking easily the temperature of water.

The disinfection shower is fed with cold water for a better effectiveness of the disinfectant product.

A compressor assures whirlpool (in option).

That is injection of air under pressure with adjustable flow through 12 nozzles equipped with anti-return valve and set at the bottom of the tub.

This is controlled via a service mounted control panel mounted on the baths front facia.

The disinfection system includes one 2 litres tank receiving the disinfectant product, one plunger with calibrated nozzle and one shower head with pawl.

The complete set is located behind the rear door of the bathtub.

SAFETY INSTRUCTIONS AND WARNINGS

Do not attempt to use this bathing system without first understanding this manual.

To ensure safe operation, carefully read this entire manual, especially the section on "Safety Instructions and Warnings", before installing, operating, or servicing this equipment.

If anything is not completely understood, please contact Reval for more details.

Failure to comply with warnings in this manual may result in injury.

Keep this manual with the tub and refer to it as required. Contents of this manual are subjected to change without prior notice to users.

- The Cocoon bathing system must be installed by a contractor or a certified installation technician.
- DO NOT try to lift the tub.
- DO NOT place limbs or lay underneath the tub during lowering function.
- DO NOT operate the air whirlpool pump without water.
- DO NOT pull on the shower head too forcibly.
- DO NOT immerse the shower handset in water.
- DO NOT place any object underneath the tub.
- DO NOT adjust the water temperature over 43°C in the presence of patient.
- **DO NOT use any electrical appliances near the tub.**
- **DO NOT use any electrical appliances (hair dryer or electric razor, ...) while in the tub.**
- DO NOT force controls or taps.
- **DO NOT use or turn the disinfection shower on the patient.**
- ALWAYS perform a daily check before using the bathing system.
- Each client should be assessed for his or her ambulatory capability to ensure the clients safety when entering and exiting the bathing system. (Ability to utilize handgrips, correct entry height, etc.)
- ALWAYS be prepared before transferring a patient into the tub.
- **ALWAYS check the water temperature before the patient enters the tub or to use the cleaning shower.**
- Clean bathtub after each use.
- Disinfect bathtub between each use.
- All valves should be closed after bathing is completed.
- When using disinfectant, wear rubber gloves and eye protection. In case of eye or skin contact, follow the procedures on the disinfectant container.
- A weekly safety check should be performed to ensure all hoses, pipes, connections and securing devices are in safe working order.
- Keep all tub components clean and dry.

DIRECTIONS FOR USE

HIGH / LOW FUNCTIONS

In order to change the height of the tub, use the buttons located on the control panel :



PLUG OPERATION

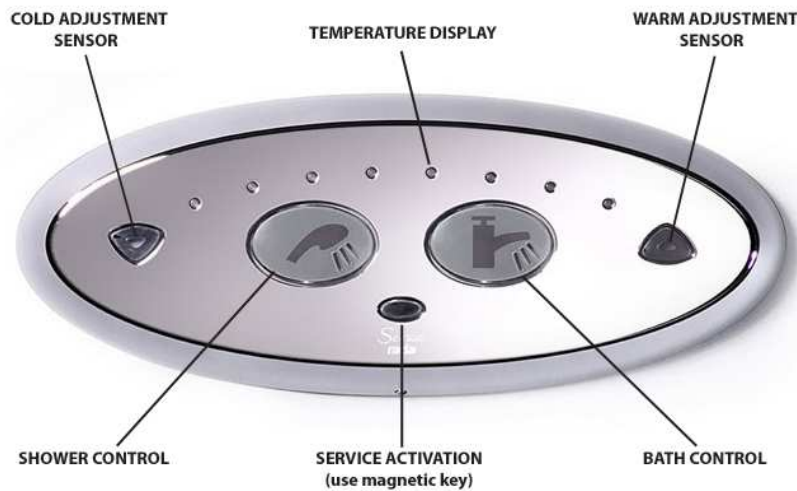
Turn the button in a clockwise direction to close the drain plug and counter clockwise to open it



DIRECTIONS FOR USE

CONCEANED DIGITAL MIXING VALVE RADA SENSE (MODELS 7801.00 & 7803.00)

To adjust the water temperature,, pass your finger in front of the cold water sensitive captor (blue triangle) or in front of the hot water (red triangle) according to the temperature desired.



The max. temperature of bath is pre-set at 40°C.
The max. temperature of cleaning shower is pre-set at 38°C.
Automatic stop filling after 5 minutes for 27cm of height of water.
Automatic stop of the cleaning shower after 30 seconds.

Check water temperature before each submersion.

If the bathtub is equipped with the option "automatic stop of filling", it is advised to carry out a test of the sensor before the filling. (see procedure in this instruction manual)

WATTS EUROTHERM THERMOSTATIC MIXER (MODELS 7800.00 & 7802.00)

The thermostatic mixer located on the control panel allows adjusting the water temperature meant for filling the tub as well as the cleaning shower.

During use, if you need water superior to 40°C, push the "red" index and turn the button to the left.
To adjust the water temperature, turn the button of the mixer.



Check water temperature before each submersion.

DIRECTIONS FOR USE

BATH FILL (MODELS 7800.00 & 7803.00)

Bath fill is operated by the valve located under the mixer. Filling and stop filling is made by turning the valve button.



CLEANING SHOWER HANDSET

Select a temperature by adjusting the thermostatic.



It is possible to regulate the pressure of the shower by closing or slightly opening the valve.



DIRECTIONS FOR USE

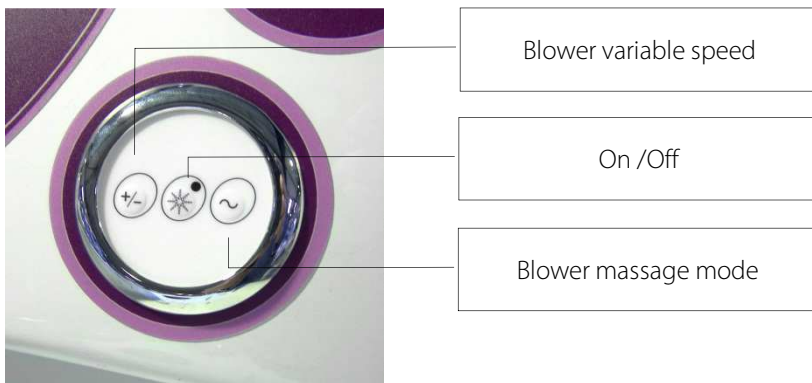
DISINFECTION SHOWER HANDSET

The disinfection shower is identified thanks to a red label "disinfection shower" and a yellow flexible. The disinfection shower allows the disinfection of the bathtub after each use and is connected to a disinfectant tank (see: disinfection system). The disinfectant product is sucked automatically pressing on the pawl. The disinfection shower is fed with cold water for a better effectiveness of the disinfectant product.

**After using the shower, do not forget to turn off the 1/4 turn stopcock.
(a shower under pressure being much more fragile).**

AIR WHIRLPOOL (OPTION)

That is injection of air under pressure with adjustable flow through 12 nozzles equipped with anti-return valve and set at the bottom of the tub.



Auto switch off : 30 minutes after the user operates one of the buttons the last time, the blower will switch OFF automatically.

Drying cycle : 30 minutes after manual or auto switch OFF, the blower starts up at High Speed for 2 seconds. Then it drop to Low Speed and increase gradually to High Speed within half a minute. Then it continues running 4 or 5 minutes at High Speed.

DIRECTIONS FOR USE

AROMATHERAPY (OPTION)

Reval give all areas of patient well-being and safety careful consideration. Its unique "Aromatherapy" system combines the benefits of hydro-massage with the relaxing aromatic effects, of infused aroma essence, providing the ultimate bathing and rehabilitation experience. The "Aromatherapy" system is compressed heated fresh air technology, which infuses aroma therapy oils at temperature into the hydrotherapy air jet which explodes into the bath water delivering controlled therapy with sensual and relaxing aromas assuring a totally unique and wonderful experience. Reval's new "Aromatherapy" system has an ultra-safe auto-clean function which self-dries and cleans the internal air ducting pipe work after use automatically. The auto-clean function significantly reduces the risk and development of micro-biological organisms that can develop in humid and wet environments. Reval's unique air ducting system can be dismantled without the need for tools and can be termically cleaned during routine servicing in a matter of minutes.



TO OPERATE:

1. Simply remove the chrome cap, take the wooden spatula, soak in aromatherapy oil and replace it in to the essence well. Replace the chrome cap) finger tight). Do not over tighten!
2. Switch the Aromatherapy system on via the circular control panel. Once up to temperature the heated air infuses with the aroma oil and releases its fragrance into the water via the diffuser jets positioned in the bottom of the bath tub. The aroma is carried inside the bubbles and explodes on contact with the water releasing the sensual aromatic fragrances in to the air.
3. For extended use switch off and re-soak the spatula as described in points 1&2.
4. The hydro Aromatherapy has an alternating intensity function. To activate this potion press the button on the control panel. The intensity will increase and decrease automatically providing needed therapy without sensitivity and discomfort for those with sensitive joints and skin conditions.
5. The intensity can also be set at a fixed pressure for those who enjoy the continuous sensation and work-out. To fix the intensity level simply press the + or – button on the control panel until the desired intensity has been found.
6. To switch off press the middle button on the control panel marked 1/0.
7. The Aromatherapy system has a self-cleaning function called "Auto Clean" Once the system has been switched off the status LED on the On/Off button changes from ON to Intermittent flashing. This indicates that the system has gone into stand-by mode and will automatically switch on again and run for 5 minutes self-drying any build-up of humidity in the internal hydro plumbing system. After five minutes the system will shut down.

DIRECTIONS FOR USE

CHROMOTHERAPY (OPTION)

The chromotherapy option consists of 4 LED lamps and 1 control button.



The control button has 3 following functions : On/Off / Automatically alternate of 7 colours / Colour fixed.

Push one time on the button to turn on the lamps.

The colours of the lamps automatically alternate during 30 seconds for each colour.

Push another time on the button in order to fix the actual colour.

Push another time on the button to turn off the lamps.

AUDIO SPA (OPTION)

The "Audio spa" option consists of two loudspeakers, a waterproof amplifier, a MP3 player and a control panel including the commands "One / Off" and "volume" as well as an embedded box with removable panel allowing to receive and to connect the MP3 player.



Operation :

- Take the MP3 player.
- Set it and add in musics of your choice.

Respect the legislation.

- Connect the MP3 player (headphone plug) to the DIN plug located inside the embedded black box.
- Read your MP3 player.
- Push on the button 0/1 located on the control panel.
- Adjust the volume thanks to the potentiometer.
- In case the tone would not be sufficient, increase the volume from the MP3 player.

To guarantee the longevity of the amplifier, think to switch off it by pressing on the button "On / off".

DIRECTIONS FOR USE

AUTOMATIC STOP FILLING (1 LEVEL) FOR 7801.00 & 7803.00

OPERATION

On the 7801.00 & 7803.00 Cocoon bathtubs provided with the Rada Sense thermostatic mixer, the automatic stop filling is made by the adjustment of the filling time.

For the model 7801.00 (R'GO shape tub), the filling time is pre-set at 5 minutes for a 27cm height of water level.

For the model 7803.00 (Key Hole shape tub), the filling time is pre-set at 7 minutes 15s for a 27cm height of water level.

The filling time can be modified according to the needs.

AUTOMATIC STOP FILLING (1 LEVEL) FOR 7800.00 & 7802.00 (OPTION)

OPERATION

A capacitive sensor allows closing the filling valve of the bath; in this way it stops the water level automatically. The sensor issues a magnetic field that is modified when water reaches it.

CONTROL PROCESS OF THE CAPACITIVE SENSORS :

- 1- Start filling the bath.
- 2- With the cleaning shower spray the inside surface of the bathtubs where is located the sensor.

To test a sensor, always use the shower and not the hand in order to be in use conditions.

- 3- When water from the shower is going to flow out the sensor, the filling valve must close (contact time: 2 seconds minimum).
- 4- Start filling the bath.
- 5- Repeat the verification few times controlling :
 - Closing of the valve
 - Opening of the valve
- 6- Leave now the hi-lo bath fills up until the automatic stop.
- 7- Control the level.
- 8- Drain the bath. When the level will be reduced of few centimetres, stop draining and start filling.

ADJUSTMENT OF THE WATER LEVEL

It is possible to adjust the height of water level by moving the probe.
Contact Reval for more information.

DIRECTIONS FOR USE

AUTOMATIC STOP FILLING (2 LEVELS) (OPTION)

OPERATION

2 capacitive sensors allow closing the filling valve of the bath; in this way it stops the water level automatically. A sensor issues a magnetic field that is modified when water reaches it. The sensors can be operated thanks the both control buttons located on the control panel



To activate the water level n°1, push on the button n°1 and deactivate the button n°2.
To activate the water level n°2, push on the button n°2 and deactivate the button n°1.

In case none of the buttons is activated, the automatic stop filling does not work and the bathtub will fill until the overflow located at the level of the draining plug.

In case where 2 buttons are activated, the automatic stop filling will be made in level n°1.

The water level n°1 corresponds to a height of water of 20cm.
The water level n°2 corresponds to a height of water of 27cm.

ADJUSTMENT OF THE WATER LEVELS

It is possible to adjust the heights of water levels by moving the probes.
Contact Reval for more information.

DISINFECTION SYSTEM (OPTION)



COMPOSITION

The bath is equipped with an automatic system to determine the quantity of disinfectant.

The disinfection system includes :

- 1x 2 litres tank receiving the disinfectant product.
- 1X plunger with calibrated tube, located in the tank, and connected by a flexible going through the top of the venturi (white plastic part).
- 1 disinfection shower.

MANUAL DISINFECTION

Disinfection has to be made after cleaning the tub.

Use the disinfection shower located on the right of the control panel and sprinkle the tub.

Do not use the disinfection shower on the patient.

Wait in order to respect the action time prescribed in accordance with the disinfectant used.

Rinse with the cleaning shower.

The bathtub is now ready to another bath.

ADDITION OF DISINFECTION

Dilution :

The mixing of water and disinfectant inside the disinfection shower is made in 2 stages :

First :

Manual dilution inside the tank.

Second :

The suction device (venturi) ensures a dosage of 10% of the aspirated product from the tank.

Exemple :

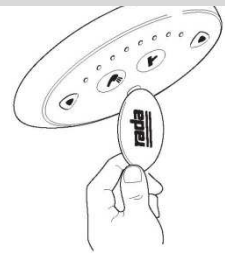
The disinfectant BFR 4.0 must be used with a final dilution of 0,4%.

- 1) Manual dilution inside the tank at 4%, that is 80ml of BFR 4.0 for 1920ml of water.
- 2) Complementary dilution of 10% ensured with **cold water** by the suction device (venturi).

CLEANING / MAINTENANCE

CLEAN THE TUB & THE CONTROL PANEL

In order to clean the tub & control panel, take the magnetic key and pass it in front of the infra-red of the control panel to deactivate it. To reactivate the control panel, do the inverse operation.



Only use liquid products (liquid soap).

Don't use abrasive products like "scouring cream" to avoid scratches on the tub surface "Gelcoat".

Furthermore, to eliminate calcareous marks settled by water moving, we recommend to use the scaler (Gel Servex).

**Do not swill down the outside of the tub.
Do not use liquid soap and the scaler (Gel Servex) on the control panel elements;
Rada sense mixer and whirlpool control.**

CLEANING OF FILTERS : HOT WATER AND COLD WATER

These 2 filters have a filtration of 300µ while the thermostatic mixer has a filter cartridge of 500µ. Consequently, these 2 filters must be cleaned regularly (once per week).

A regular cleaning of these 2 filters is imperative in order to reduce the limestone deposits in the pipes of the bathtub.

A bad maintenance of these filters generates times of long filling and a water with bad temperature. (water too cold)

These filters are located at the hot and cold water inlet.

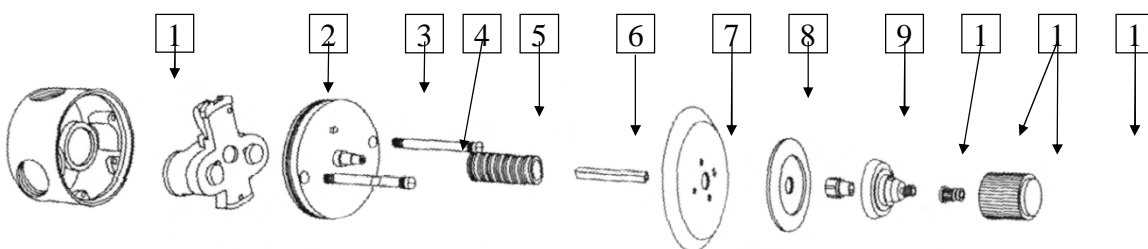
- 1) Stop the water feeding of the bath.
- 2) Dismount the filter tank with a claw key.
- 3) Take the filter out.
- 4) Clean the filter (in case of calcareous deposit, use the appropriate scaler and rinse with clean water).
- 5) Reassemble the parts.

CLEANING THE FILTERING CARTRIDGE OF THE MIXER (WATTS MIXER)

Dismount stage by stage elements of the thermostatic mixer starting with the brace (reference mark n°12) until the filter cartridge (reference mark n°2).

In the event of too important limestone deposit, contact France Reval.

N° REF.	DESIGNATIONS	N° REF.	DESIGNATIONS	N° REF.	DESIGNATIONS	N° REF.	DESIGNATIONS
1	Complete body	4	Axis	7	Square tube	10	Case
2	Cartridge	5	Buffer screw	8	Rose	11	Cap
3	Buffer	6	Thread tube	9	Dial	12	Crosspiece



CLEANING / MAINTENANCE

CLEANING OF THE FILTER OF THE FILLING SPOUT

The filling spout is equipped with an aerator with filter. The aerator can be dismantled and cleaned. A special key delivered with the bathtub allows unscrewing easily the aerator.

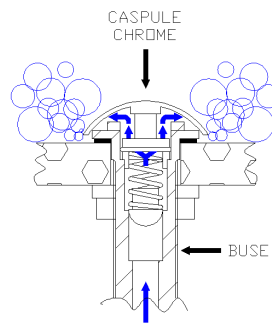
It is advised to clean and to decalcify the aerator at least twice a year.



CLEANING OF THE AIR WHIRLPOOL SYSTEM

For the efficient functioning of the whirlpool system, the nozzles have to be cleaned on a regular basis (at least once a year).

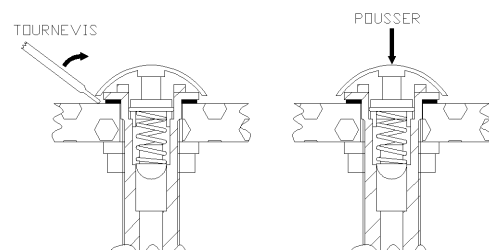
Functioning of a whirlpool's nozzle. Air is low through the nozzle and discharged under the chromed air jet cap.



There is a risk of heating the air jet cap is the nozzles are not regularly cleaned. Layers of soap or deposit can hinder the circulation of the air.

To clean the nozzles, please follow the next stages :

- 1) Switch off the whirlpool option and empty the bath.
- 2) Use a flat screwdriver to remove the air jet cap.
- 3) Clean the chromed air jet cap, the nozzle and the ball. Then the air jet cap on the nozzle.
- 4) With a soft mallet, tap the chromed air jet cap. Check that it is correctly positioned on the nozzle. Switch on the bath and the whirlpool system to check they are working properly



PERIODIC INSPECTION

1) Periodic inspection of the bathtub should be undertaken at the time intervals stated by the manufacturer, but at least once a year. By periodic inspection is meant a visual examination on all the functions of the bathtub and particularly on the safety systems (anti-crushing device, emergency stops,...)

Every inspection should include a working load of one (1) lifting cycle with the maximum load.

2) Periodic inspection should be performed by a person who is suitably and properly qualified and well acquainted with the design, use and care of the bathtub. The scope of the periodic inspection should be included in the manual supplied with the bathtub.

3) Any observations of importance for the safety of the bathtub should be noted, preferably in a logbook which should be retained by the person (s) responsible for the servicing / maintenance of the bathtub.

The date when corrective actions are taken, in response to noted observations, should also be noted in the logbook.

4) A record of the date of inspection of the bathtub and inspection result should be noted in the logbook together with the signature of the inspector.

5) If periodic inspection reveals any defect, wear or other damage that jeopardises the safety of the bathtub, the owner should immediately be notified.

In the event of immediate danger to safety, the bathtub should immediately be taken out of service. It may then not be used until the deficiency has been eliminated.

6) Defects and damages of importance to the safety of the bathtub that have occurred between inspections and have already lead to corrective actions should be entered in the logbook.

7) Defects and damages should be reported back to Reval for action.
This feedback should be reported in the logbook.

MAINTENANCE FORM (LOGBOOK)

Control date	Safety parts		Observations	Corrections	Agent (name and signature)



FRANCE :

Reval®

Z.A. Fief des Prises

Usseau 17220 Sainte Soulle

Tel: (33) 05.46.42.04.16

Fax: (33) 05.46.43.06.38

www.groupe-reval.com

UNITED KINGDOM :

Reval® Continuing Care Limited
Unit 17 Brynmenyn Busines Centre
St Theodore's Way - Brynmenyn
CF32 9TZ BRIDGEND - WALES

Tel: 01656 721 001

Fax: 01656 720 006

www.reval-group.com