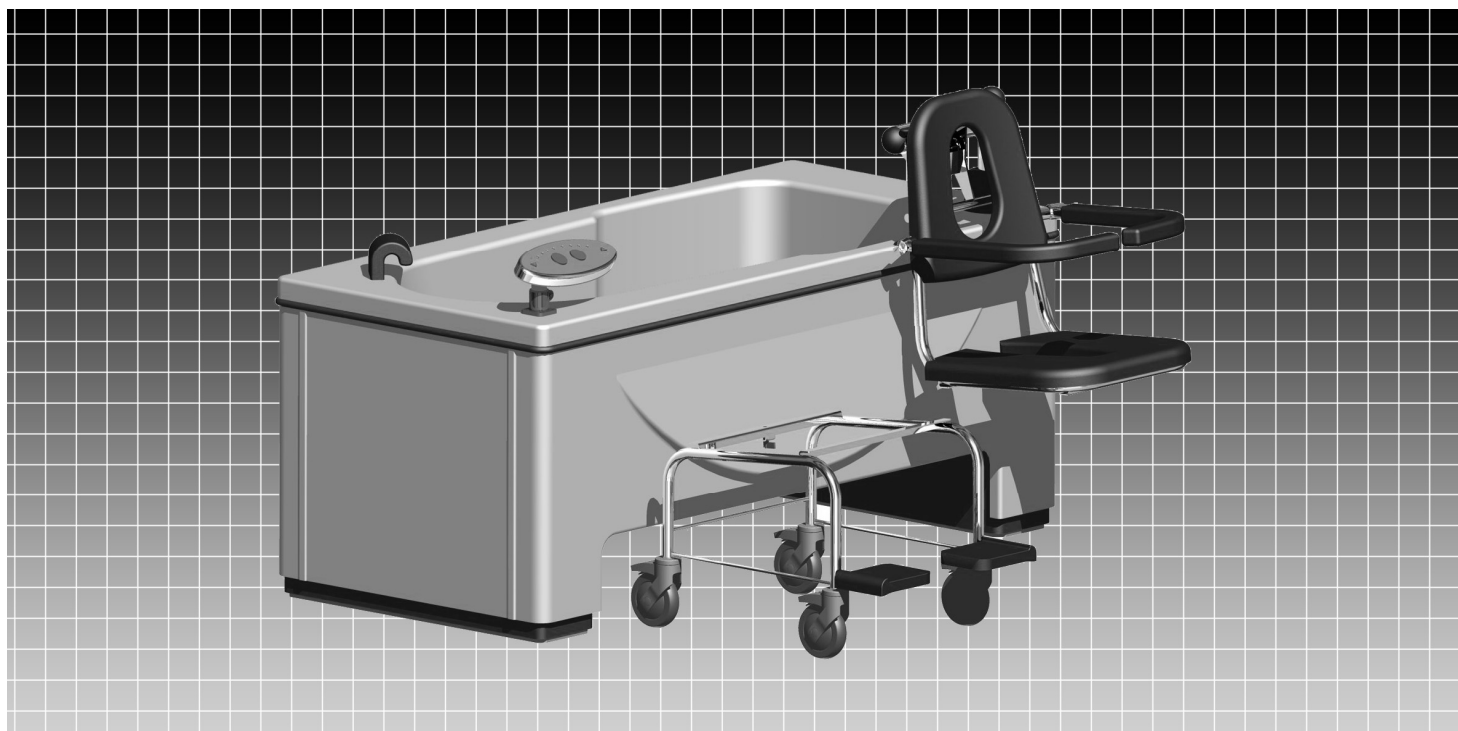


EN Instruction manual



Baignoire à Hauteur Variable avec Lève-personne
Variable Height Bath and Integral Transfer System

Caprice

7101.01 UK

7101.02 UK

SUMMARY

CONTENTS	PAGES
DIMENSIONS	2

DESCRIPTION / HAND CONTROL	3

TECHNICAL SPECIFICATIONS	4

OPERATION / SAFETY	5

SAFETY INSTRUCTIONS AND WARNINGS	6

INITIALISATION PROCEDURE OF THE CONTROL BOX SOFTWARE	7

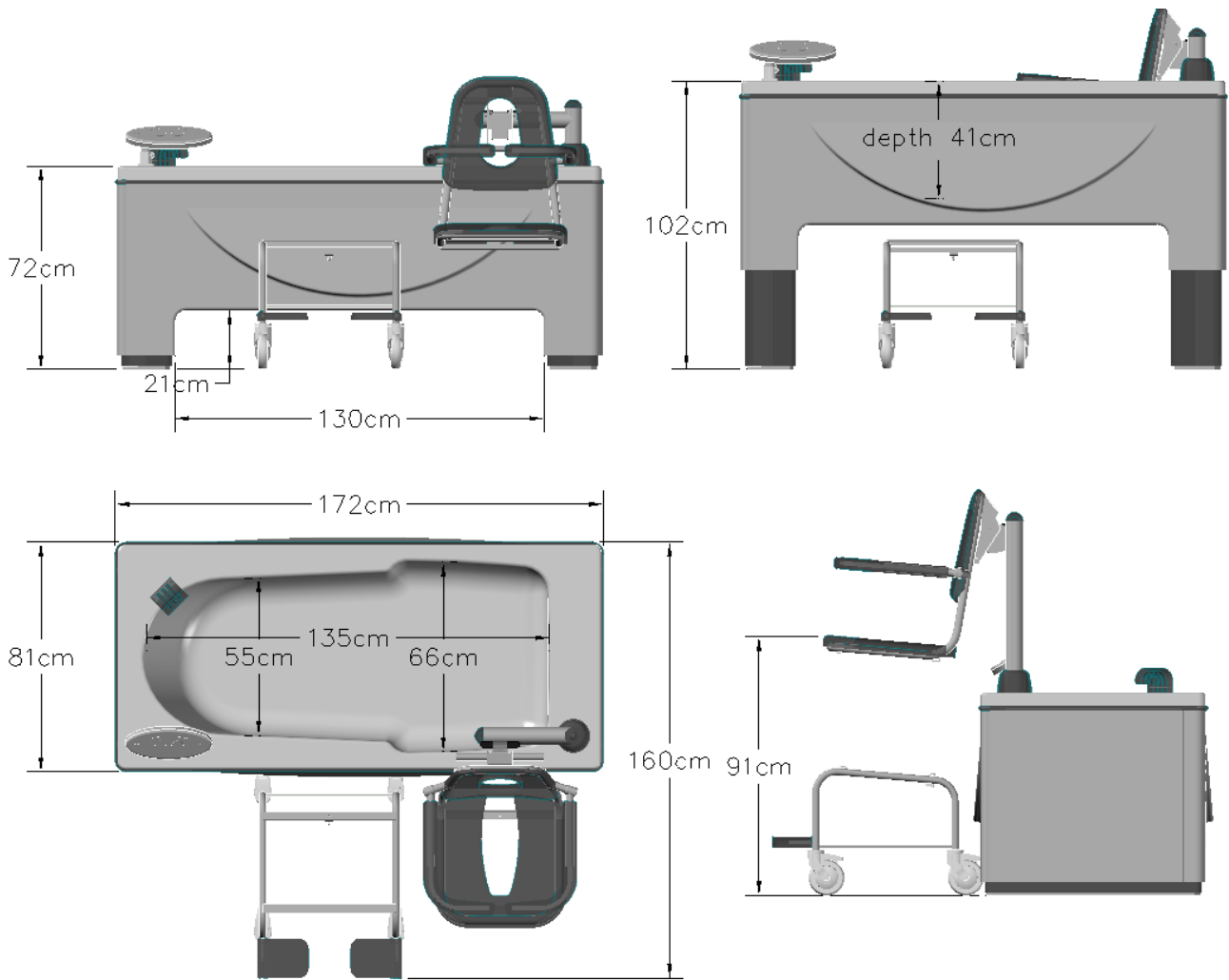
DIRECTIONS FOR USE	
TRANSFER	8
POSITIONING THE SEATING SYSTEM	8
SEATING SYSTEM AND HOIST INTERFACE	8
RAISING THE SEATING SYSTEM	9
LOWERING THE SEATING SYSTEM	9
AUTOMATIC SEQUENCES FUNCTIONS	9
TEMPERATURE CONTROL	10
DRAIN PLUG OPERATION	11
HYDRO-MASSAGE OPERATION (OPTIONAL)	11
CHROMOTHERAPY (OPTIONAL)	12
HYDRO-AROMATHERAPY (OPTIONAL)	13
AUDIO SPA (OPTIONAL)	14

MAINTENANCE	
DISINFECTION	15
CLEANING METHOD	15
DISINFECTION METHOD	15
CLEANING PROCEDURE - AIR WHIRLPOOL SYSTEM	16

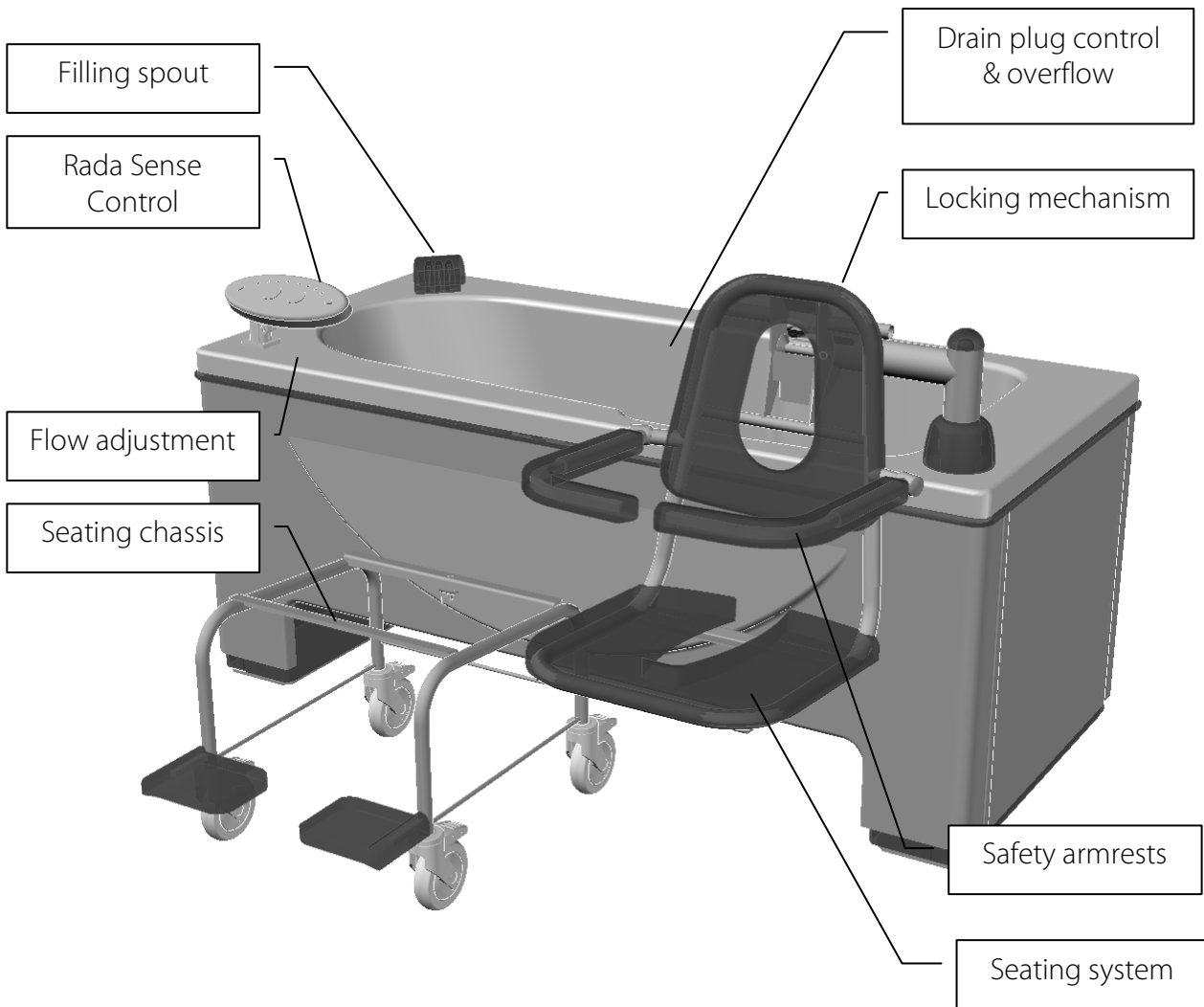
PERIODIC INSPECTION	17

MAINTENANCE FORM (LOGBOOK)	18

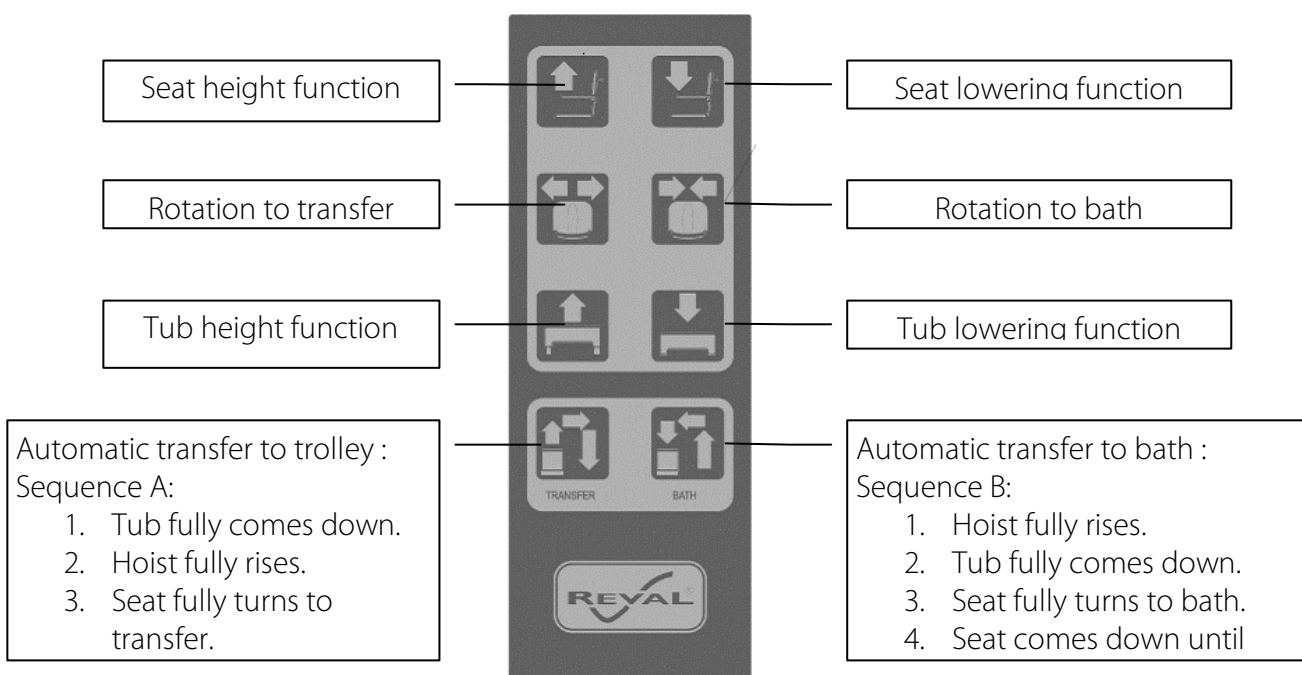
DIMENSIONS



DESCRIPTION



HAND CONTROL



TECHNICAL SPECIFICATIONS

VERSIONS:

REF. 7101.01 UK Bathtub "CAPRICE" access by the left side.
REF. 7101.02 UK Bathtub "CAPRICE" access by the right side.

OPTIONS :

REF.7100.10 Trolley system
REF.7300.20 Air whirlpool.
REF.7300.60 Chromotherapy.
REF7300.70 Aromatherapy.

BATHTUB:

Construction - Reinforced fibreglass tub with polished white gel coat colour finish.
Variable height adjustment with dual 24V electric actuators.
TMV 3 scheme approved thermostatic anti-scold mixer.
8 functions hand control IP66 rated for hoist and tub.
TMV 3 Scheme approved thermostatic anti-scold shower system.

INTEGRAL HOIST :

Stainless steel chassis.
Polyurethane seat and backrest cushions.
Stainless steel seating system frame.
Bath chair braked castors Ø125mm.
Foot rests – fixed position flip up type.

PERFORMANCE :

Max water volume: (overflow limit = 240 litres)
Flow: 54 litres/min.
Tub lifting range: 300mm
Hoist lifting range: 320mm
Filling time @ 3 bars: 4 min
Safe working load (SWL) 125Kg
Working capacity for Hi/Lo tub : unlimited – 6 min/hours
Working capacity for hoist : unlimited – 6 min/hours

ELECTRICITY :

Electric supply requirements: 230V - 50hz - 180W

CONFORMITY:

73/23/CEE (low voltage directive)
89/336/CEE (EMC directive)
NF EN 60335-1 (electric standard for bathtub..)
NF EN 60335-2-60 (electric standard for bathtub...)
NF EN 1717 (Anti-pollution)
NF C 15100 (Electric installations...)

NB. Please be advised that the image's used in this brochure may not represent the product marketed in your country. e.g. Many products marketed in the UK are WRAS certified. Therefore, there products may be fitted with controls and apparatus such as thermostatic mixers, and shower up-stands which may not be illustrated in this or any other documentation. For specific information please contact Reval customer services.

Also, Reval Reserves the right to change or modify its documentation, and product at any time without prior notification, for full details of our standard terms and conditions, please contact Reval Customer Services on 01656 721 001!

OPERATION

Variable height adjustment is via dual 24V synchronised actuators.

Raise and lower function of the integral hoist is via a single 24V actuator.

Rotate function via a single 24V actuator.

8 function hand control pendant controls - seat rotation/ seat rise and lower - variable tub height – automatic cycle for transfer and bath

Electric Jacks are controlled via an electronic control box installed with unique software Designed specifically for the Caprice appliance.

Bath fill via TMV 3 scheme approved thermostatic anti-scold mixer which complies with the requirements of WRAS fluid category 5 backflow prevention.

TMV 3 scheme approved thermostatic anti-scold shower system complies with the requirements of WRAS fluid category 5 backflow prevention.

Water temperature control and adjustment is via the thermostatically controlled TMV 3 scheme approved deck mixer tap.

A compressor drives the variable flow control hydro-massage system (optional).

Heated air is blown under pressure into the bath via 12 diffuser nozzles equipped with anti-return valves integrated in to the bottom of the bath tub. The three button control is located on the tub.

SAFETY

For safety reasons, the seating system will only rotate when the tub is in LOW position and the hoist in HIGH position.

To raise the tub is only possible if the seating system is ABOVE TUB LEVEL!

Lowering the seat into the bath is only possible if the seat is in the High position and is positioned, in the in bath position which prevents accidental transfer in to the side of the bath!

Care givers transferring service users to and from a bathroom in the mobile seating system, should take special care not exert excess force or exceed a slow constant and controlled walking pace. Care should also be taken when crossing room thresholds or very small obstacles' which may require the adverse handling of the seating system. The seat and trolley are two separate components which if handled incorrectly or in a careless manor, could become detached which may result in separation causing a serious accident and injury!

Take extra care when docking the seating system into the bath prior to transfer. Ensure that the two back posts of the seating system are securely located in to the two black clip locators positioned on the side of the bath tub. This will insure the hoist and seat index pins are correctly located prior to transfer. Remove the trolley from the clip locators at the side of the bath before the tub is height adjusted to provide working space beside the bath!

SAFETY INSTRUCTIONS AND WARNINGS

IMPORTANT! DO NOT USE THIS APPLIANCE BEFORE READING AND UNDERSTANDING THIS USER GUIDE.

To ensure safe operation, read this manual carefully. Please pay particular attention to sections explaining "Safety Instructions and Warnings", before installing, operating, or servicing this equipment.

If in any doubt contact Reval Continuing Care Ltd for more details +44 (0)1656 721 001) or assistance do not take a chance!

Failure to comply with warnings in this manual may result in injury!

Keep this manual with the tub and refer to it as required. Contents of this manual are subjected to change without prior notice to users!

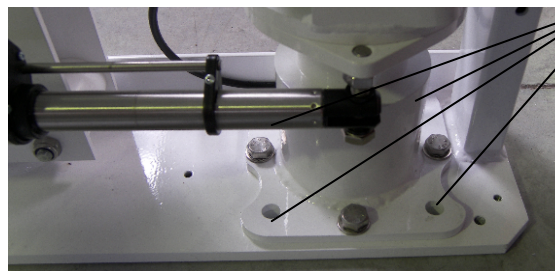
- **The CAPRICE bathing system MUST be installed by a contractor or a certified installation technician!**

"NOTE TO INSTALLATION TECHNICIANS"

The Caprice bath is supplied with four floor fixings (rawl bolts M10-60mm) and a template to be used to mark and drill the holes required on the floor.

Please ensure that these fixings which are located at all four corners at the base of the mast are made effectively. Failure to floor fix the bath can seriously damage the mast mechanism and cause serious risk of injury to service user and care worker.

FAILURE TO FLOOR FIX THE CAPRICE BATH CAN CAUSE THE BATH SYSTEM TO TOPPLE OVER WHEN BEING USED AND UNDERLOAD.



Floor fix at all four positions.

- DO NOT immerse the hand control in water!
- DO NOT try to lift the tub!
- DO NOT work underneath the tub during lowering!
- DO NOT fill over the maximum water level line!
- DO NOT operate the air whirlpool pump without water!
- DO NOT pull on the shower head too forcibly!
- DO NOT place any object underneath the tub!
- DO NOT use any electrical appliances near the tub!
- DO NOT use any electrical appliances (hair dryer or electric razor, etc) while in the tub!
- DO NOT force controls or taps!

- ALWAYS perform a daily check before using the bathing system!
- ALWAYS prepared yourself the environment, and the service, user prior to transferring a user!
- ALWAYS check the water temperature prior to transferring or showering a user!
- ALWAYS check the seat and hoist interface is correctly positioned and engaged prior to operation.
- User ability MUST be professionally assessed prior to using this system to ensure user safety!
- For health, safety, and hygiene reasons clean the bath after each user cycle!
- For health, safety, and hygiene reasons disinfect the bath after each user cycle!
- When disinfecting the bathing system, wear protection e.g. rubber gloves, safety clothing and Eye protection!
- In case of eye or skin contact, follow the procedures on the disinfectant container or safety manual! (BFR4.0)
- A weekly safety check should be performed to ensure all hoses, pipes, connections and securing devices are in safe working order. Keep all tub components clean and dry!

- DO NOT TAKE A CHANCE!

INITIALISATION PROCEDURE OF THE CONTROL BOX SOFTWARE

Whenever an actuator is connected/re-connected to the CB an initialisation should be performed.

The end stop is used as a reference for the actuator position and all further movement is made referring to this end stop position. Thus it is recommended to calibrate the position measurement system by initialising regularly to prevent position errors to accumulate in the system.

All channels initialise in end stop inwards.

The initialisation procedure is as follows:

1) Press on the button **to endstop** (sound signal)



then

2) Press on the button **to endstop** (sound signal)



then

3) Press on the button **to endstop** (sound signal)



If these 3 stages are not enough, press simultaneously on the keys(touches) of sequences A and B during 7s up to a sound signal then take back 3 stages of reset described above.

If these 3 stages are not enough, press simultaneously on the keys(touches) of second line of buttons until the alarm stops then take back 3 stages of reset described above.

This procedure should always be done if a channel has position lost.

DIRECTIONS FOR USE



WARNING: This symbol is intended to alert the user to hazards or unsafe practices which could result in serious bodily harm.

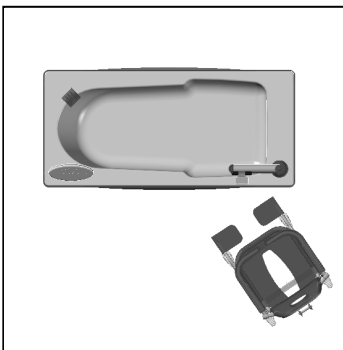


CAUTION: This symbol is intended to alert the user of the presence of important operating and maintenance instructions which could prevent product damage or possible personal injury.



NOTE: This symbol offers helpful information concerning certain operating procedures.

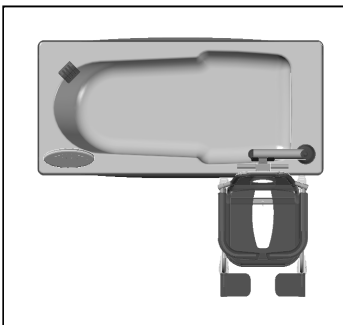
TRANSFERRING A SERVICE USER



Before transfer, ensure the user is safely positioned in the seat with the armrests in down position! Care givers transferring service users to and from a bathroom in the mobile seating system, should take special care not exert excess force or exceed a slow constant and controlled walking pace. Care should also be taken when crossing room thresholds or very small obstacles' which may require the adverse handling of the seating system. The seat and trolley are two separate components which if handled incorrectly or in a careless manor, could become detached which may result in separation causing a serious accident and injury!

Position the bath-chair near the bath.

POSITIONING THE BATH-CHAIR

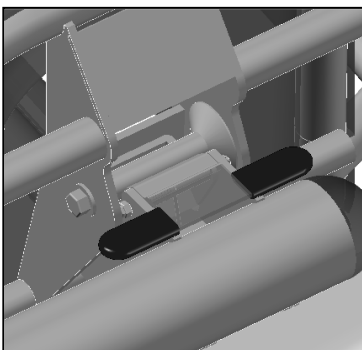


Before positioning the bath-chair ensure the hoist is in the low position!

SEAT AND HOIST INTERFACE



Please make sure the mast is in its lowest position before attempting to dock the seat system into the hoist. Check to ensure the seat is fixed securely and the latch gate is in the down position !



With the bath-chair correctly positioned raise the hoist using the hand control take care to ensure the male and female connectors insert/interface correctly!

Raise button on the pendant!

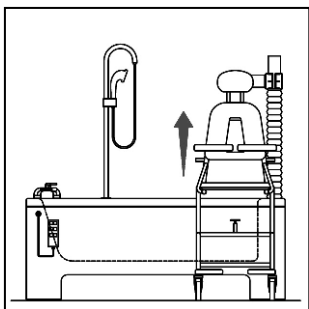


Take extra care when performing this operation!



DIRECTIONS FOR USE

RAISING THE BATH SEAT

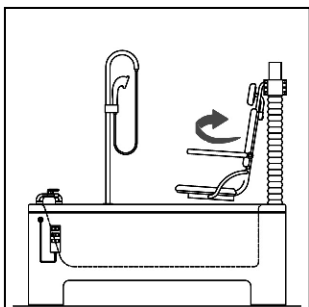


To raise the seating system press the UP button on the hand control until endstop (sound signal)



Seat rise button

SEAT ROTATION



To rotate the seating system press the ROTATE button until endstop (sound signal)



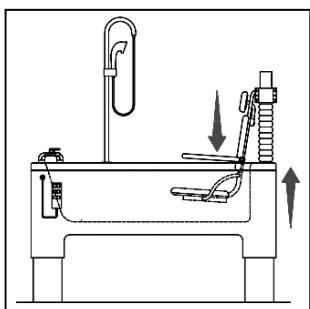
to go out the bath

or



to go in the bath

BATH HEIGHT ADJUSTMENT



Raise the bath tub to the required height, then lower the seating system into the bath by pressing the SEAT LOWERING button on the hand control



AUTOMATIC SEQUENCES FUNCTIONS

Automatic transfer to trolley:



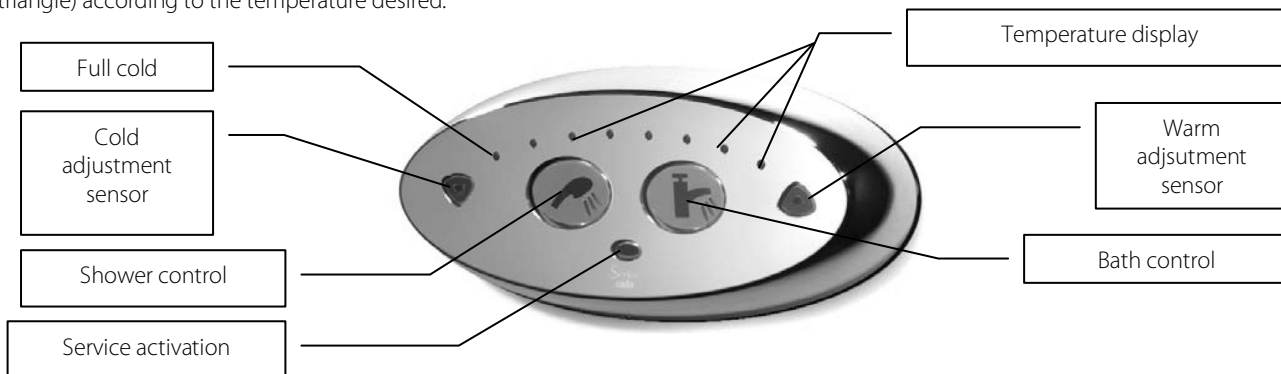
Automatic transfer to bath:



DIRECTIONS FOR USE

TEMPERATURE CONTROL

To adjust the water temperature, pass your finger in front of the cold water sensitive captor (blue triangle) or in front of the hot water (red triangle) according to the temperature desired.



Factory pre-set with PDA:

- Max outlet temperature for bath: 44°C.
- Max outlet temperature for shower: 41°C.
- Min outlet temperature for bath: 37°C.
- Min outlet temperature for shower: 33°C.
- Default outlet temperature for bath: 38°C.
- Default outlet temperature for shower: 36°C.
- Flow times (bath): 7min30s, allow to fill until max water level.
- Flow times (shower): 2min

BATH FILLING



Check the water temperature. If necessary , adjust it via the digital mixer.

Close the drain plug by turning the button in a clockwise direction.

Pass the finger in front of the pictogram of the tap.



PATIENT SHOWER

The shower head can be operated at any time.

Pass the finger in front of the pictogram of the shower head

front of the bath.



and adjust the flow intensity with the tap in

Select the desired temperature by adjusting the temperature valve as described above.

The shower head spray can be adjusted from a wide to narrow flow.



After each use, turn off the valve.

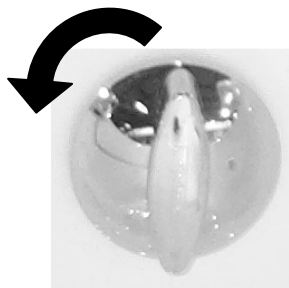
THERMIC DESINFECTIION

The « rada sense » control box is equipped with a system of thermic disinfection for its pipes, which is controlled by a PDA. Only a recognised technician can do this operation, so please call REVAL CC.

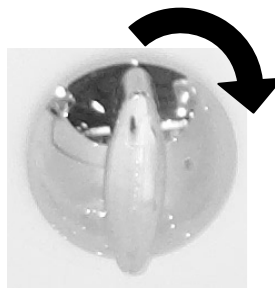
DIRECTIONS FOR USE

DRAIN PLUG OPERATION

Turn the button lever in a clockwise direction to close the drain plug and anti clockwise to open it



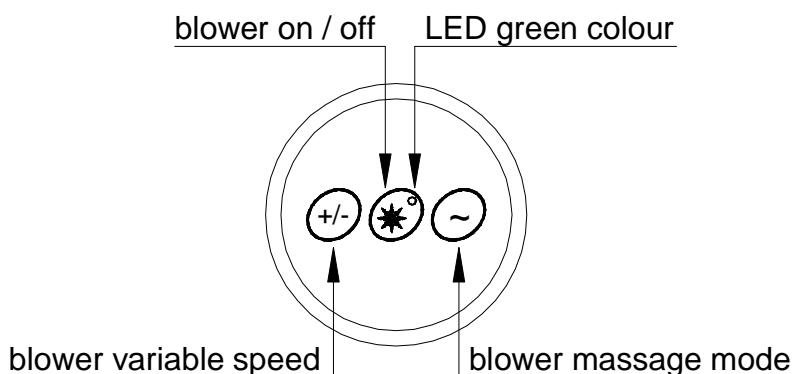
OPEN



CLOSE

HYDRO-MASSAGE (OPTION)

A compressor drives variable flow control hydro-massage system (optional). Heated air is blown under pressure with adjustable flow control via 12 diffuser nozzles equipped with anti-return valves integrated in to the bottom of the bath tub. The three button control is located on the tub.



System Safety - Drying cycle & auto switch off : If the hydro-massage function is used at any time. 30 minutes after use the hydro-massage bower automatically re-starts and runs for a period of 4-5 minutes cycling from high to low speed. After 4-5 seconds the system automatically switches its self off! This is the systems unique means drying the internal airways to ensure humidity is dried helping to prevent the build up of harmful bacteria and can reduce the risk of cross contamination!

DIRECTIONS FOR USE

CHROMOTHERAPY (OPTION)

Chromotherapy is dynamic LED (light emitting diode) therapy which utilises no less than two pairs of 51 coloured LED's positioned under the bathwater level, designed to colour the bathwater and room lighting to provide a uniquely relaxing and atmospheric experience for service users. The LED's automatically alternate in colour and on/off switching. This can also be set to manual adjustment for fine tuning the mood of the bathroom to suit the mood and requirements of the user. There are several lighting sequences that will create the perfect atmospheric sensation. This coupled with Reval's Hydro-Aromatherapy system deliver the ultimate in bathing comfort, relaxation and rehabilitation.

The Chromotherapy control button allows the user or care giver total control when using the chromotherapy function. The chrome circular surface mounted button pad with function mode LED which informs the user as to the function status.

There are three main function modes:

1. On/Off - press function button once to switch on (led stable)
2. Auto colour change sequence - press button again for two seconds to activate auto colour sequence (LED flashes intermittently)
3. Manual colour sequence – press once to switch to manual colour sequence then again when you wish to change colour. After the sequence has run the system will switch to off mode! To reactivate, follow steps 1-3.



DIRECTIONS FOR USE

AROMATHERAPY (OPTION)

Reval give all areas of patient well being and safety careful consideration. Its unique "Aromatherapy" system combines the benefits of hydro-massage with the relaxing aromatic effects, of infused aroma essence, providing the ultimate bathing and rehabilitation experience. The "Aromatherapy" system is compressed heated fresh air technology, which infuses aroma therapy oils at temperature into the hydrotherapy air jet which explodes into the bath water delivering controlled therapy with sensual and relaxing aromas assuring a totally unique and wonderful experience. Reval's new "Aromatherapy" system has an ultra safe auto-clean function which self dries and cleans the internal air ducting pipe work after use automatically. The auto-clean function significantly reduces the risk and development of micro-biological organisms that can develop in humid and wet environments. Reval's unique air ducting system can be dismantled without the need for tools and can be termically cleaned during routine servicing in a matter of minutes.



TO OPERATE:

1. Simply remove the chrome cap, take the wooden spatula, soak in aromatherapy oil and replace it in to the essence well. Replace the chrome cap) finger tight). Do not over tighten!
2. Switch the Aromatherapy system on via the circular control panel. Once up to temperature the heated air infuses with the aroma oil and releases its fragrance into the water via the diffuser jets positioned in the bottom of the bath tub. The aroma is carried inside the bubbles and explodes on contact with the water releasing the sensual aromatic fragrances in to the air.
3. For extended use switch off and re-soak the spatula as described in points 1&2.
4. The hydro Aromatherapy has an alternating intensity function. To activate this potion press the ~ button on the control panel. The intensity will increase and decrease automatically providing needed therapy without sensitivity and discomfort for those with sensitive joints and skin conditions.
5. The intensity can also be set at a fixed pressure for those who enjoy the continuous sensation and work-out. To fix the intensity level simply press the + or – button on the control panel until the desired intensity has been found.
6. To switch off press the middle button on the control panel marked 1/0.
7. The Aromatherapy system has a self cleaning function called "Auto Clean" Once the system has been switched off the status LED on the On/Off button changes from ON to Intermittent flashing. This indicates that the system has gone into stand-by mode and will automatically switch on again and run for 5 minutes self drying any build up of humidity in the internal hydro plumbing system. After five minutes the system will shut down.

DIRECTIONS FOR USE

AUDIO SPA (OPTION)

The "Audio spa" option consists of two loudspeakers, a waterproof amplifier, a MP3 player and a control panel including the commands "One / Off" and "volume" as well as an embeded box with removable panel allowing to receive and to connect the MP3 player.

Operation :

- Take the MP3 player.
- Set it and add in musics of your choice.

Respect the legislation.

- Connect the MP3 player (headphone plug) to the DIN plug located inside the embeded black box.
- Read your MP3 player.
- Push on the button 0/1 located on the control panel.
- Adjust the volume thanks to the potentiometer.
- In case the tone would not be sufficient, increase the volume from the MP3 player.



To guarantee the longevity of the amplifier, think to switch off it by pressing on the button "On / off".

MAINTENANCE

CLEANING & DISINFECTING THE APPLIANCE

Cleaning:

To wash clean the bath use a soft not abrasive soap and water mix wash the appliance thoroughly ensuring maximum coverage of the tub the controls and the seating system. Rinse the soapy water of the bath and wipe dry any residual water away with a clean soft cloth.

Disinfection

The appliance is supplied with a hand held spray applicator which should be used to apply REVAL disinfectant BFR 0.4 The applicator hold 600 ml of diluted disinfectant sufficient to thoroughly clean and disinfect the appliance. Reval disinfectant is specifically designed to clean and disinfect your appliance whilst protecting it's the smooth polished gel coat finish. Other products may not be suitable such as any powder based products which if not diluted carefully can mark or scratch the smooth easy to clean gel coat surface. Scratch marks can harbour soap or greasy deposits which can harbour bacteria and increase the risk of cross infection.

NB. REVAL disinfectant is specifically designed to provide maximum protection for both the service users and the appliance!

Dilution Ratio:

The REVAL disinfectant (BFR 4.0) has final dilution of 0,4%.per litre of cold fresh water

Health and Safety:

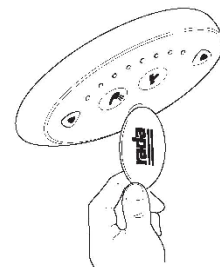
When mixing or applying REVAL disinfectant always wear protective rubber gloves, safety clothing, and appropriate eye protection!

Method:

- For 2,4 mltrs of neat Reval disinfectant into the hand held spray applicator.
(The exact dilution ration ratio should be 0.4% per litre of fresh cold water)
- Add 597,6 mltrs of water to the neat Reval disinfectant replace the top and mix well.
- Spray a suitable amount of solution over the total area of the bath and seating system to ensure total area coverage.
- Leave the solution on the surface area to activate for a minimum of two minutes.
- After the two minute period, rinse off the disinfectant with the fresh water shower.
- Wipe any fresh residual water up with a clean soft cloth.
- The appliance is then clean safe and ready for the next user.

CLEANING THE CONTROL PANEL

To clean the "rada sense" control panel, take the magnetic key located behind the security door in front of the bath and pass it in front of the infra red of the control panel to deactivate it. To reactivate the control panel, do the inverse operation.



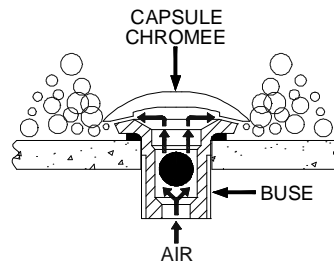
DISINFECTING THE TUB

- Spray a suitable cleaner or disinfectant onto the interior tub surface.
- Let the disinfectant activate for 2 minutes on the bath surface then rinse off using the patient.
- Thoroughly rinse the interior tub surfaces.
- Dry the interior tub surfaces with a soft cloth.

MAINTENANCE

CLEANING THE HYDRO-MASSAGE DIFFUSERS

For the efficient functioning of the whirlpool system, the nozzles have to be cleaned on a regular basis (at least once a year).
Functioning of a whirlpool's nozzle. Air is blown through the nozzle and is discharged under the chromed air jet cap.



There is a risk of heating the air jet cap if the nozzles are not regularly cleaned. Layers of soap or deposit can hinder the circulation of the air.

To clean the nozzles, please follow the next stages :

- 1) Switch off the whirlpool option and empty the bath..
- 2) Unscrew the air jet cap.
- 3) Clean the chromed air jet cap, the nozzle and the ball. Then the air jet cap on the nozzle.
- 4) Switch on the bath and the whirlpool system to check they are working properly.

PERIODIC INSPECTION

- 1) Periodic inspection of the appliance should be undertaken at the time intervals stated by the manufacturer, OR at least once annually. Service means a full physical and visual examination of all the functions and fixtures and fitting on the appliance in particular the safety systems.
- 2) Periodic inspection should be performed by a Reval trained and approved engineer who is qualified and well acquainted with the design, use and care of the appliance. The scope of the periodic inspection should be included in the manual supplied with the appliance.
- 3) All service and repair work out on the appliance should be recorded in the service logbook provided and should be retained by the owner of the appliance for reference. Do not use the product if the service logbook has not been signed after every service or repair. This constitutes that the product has not been signed off as fit for use! The service provider must sign the service logbook to constitute the appliance has been re-commissioned and safe for use!
- 4) If in any doubt contact Reval Continuing Care Ltd for further help and assistance. Any feedback provided by the Reval or the service provider should be recorded in the service logbook for future reference.
- 5) It is important to ensure your appliance is serviced in line with the manufacturer's service policy. **Failure to meet this requirement will render your product warranty void!**

MAINTENACE FORM (LOGBOOK)

Date	Service or repair undertaken	Service providers Comments	Parts fitted	Clients signature	Service providers signature



FRANCE :

Reval®

Z.A. Fief des Prises

Usseau 17220 Sainte Soulle

Tel: (33) 05.46.42.04.16

Fax: (33) 05.46.43.06.38

www.groupe-reval.com

UNITED KINGDOM :

Reval® Continuing Care Limited
Unit 17 Brynmenyn Busines Centre
St Theodore's Way - Brynmenyn
CF32 9TZ BRIDGEND - WALES
Tel: 01656 721 001
Fax: 01656 720 006
www.reval-group.com