

Atlanta™

Operation Manual &
Product Specification Guide



Seating Matters™

CONTENTS

- 2. **Operation manual**
- 4. **Product description**
- 6. **What is the intended use of the product?**
- 8. **Product features**
- 10. **Safety instructions**
- 13. **User guide and operating instructions**
- 19. **Accessories**
- 22. **Working environment**
- 24. **Maintenance**

OPERATION MANUAL Atlanta™

ABOUT SEATING MATTERS AND THE TIERNEY FAMILY

PLEASE TAKE TIME TO READ AND UNDERSTAND THIS INFORMATION BEFORE ENJOYING THE COMFORT OF YOUR SPECIALLY CRAFTED SEATING MATTERS CHAIR.

SEATING MATTERS design and manufacture a range of specialist chairs and other associated products for healthcare environments. The Seating Matters chairs have been designed by Martina Tierney Occupational Therapist, who worked with seating throughout her professional career. She was continually searching for seating that would help her clients but was unable to find anything that fully met their needs and so Seating Matters was established by the Tierney Family. Together with Martina and other therapists, clinicians, engineers and designers, Seating Matters have designed the world's leading range of specialist chairs for those in nursing and care environments. Martina continues to research the subject to find new answers to seating challenges and educates audiences throughout the world on her findings. Today we manufacture a range of adult and paediatric chairs and other items to make life more comfortable for those in need. We supply our products across the globe but have not forgotten the family ethos with which we began. We care about your comfort and wellbeing and it's our commitment to you to make your experience as satisfying as it can possibly be. If you have any questions regarding Seating Matters' service or the chair you are enjoying, we invite you to call us up direct and speak to one of our team. You can reach us on +4428 777 66624 or at info@seatingmatters.com - we will be glad to hear from you.



PRODUCT DESCRIPTION

Atlanta™

TERMINOLOGIES

PATIENT: The person sitting in the chair

USER: Competent person with responsibility for the persons sitting in the chair as well as the suitability of the equipment for the Patient. The User is responsible for checking the chair for faults during the course of its use.

There are many options, accessories and alternative features available with the Seating Matters chairs. We suggest you consult your local Seating Matters provider for exact information on what the best specifications are for you and to find out what comes as standard on your chair. Some of the available combinations and features are outlined here.

The Atlanta™ chair can provide pressure distribution due to the multi-stretch material and reflex foam in the seat cushion and offers a great deal of support with the integrated Tilt in Space mechanism and back recline. This assists with successfully seating Patients who have progressive neurological problems and those who are difficult to seat due to involuntary movements and agitation. The elevating leg rest is especially useful here as it gives padded protection to their legs. The elevating feature also greatly assists those with oedema, as their ankles will be raised higher in relation to their heart. The push handle and castors allow the Patient to be transported in the chair and the chair is fully hoist accessible, reducing moving and handling significantly.



WHAT IS THE INTENDED USE OF THE PRODUCT?

The Atlanta™ is designed for the comfort of those who sit for long periods and for those at risk of injury from agitation or by falling out of chairs. The integrated Tilt in Space and back recline on this chair serves to give the Patient a deep seated position that reduces their risk of injury. Its adjustability allows greater comfort for the Patient and adaptability to their changing needs. It can also be adjusted to accommodate multiple Patients.

For those who require support in the trunk and a certain degree of head support, the Atlanta™ accommodates these needs by using high sided arms and various head supports. With the adjustable leg rest securely attached, the Atlanta™ will help in the management of Patients with odema in their lower limbs. It will also increase security with those with involuntary movements as the entire leg rest is padded with foam. The push handle and castors allow the Patient to be transported in the chair.



PRODUCT FEATURES

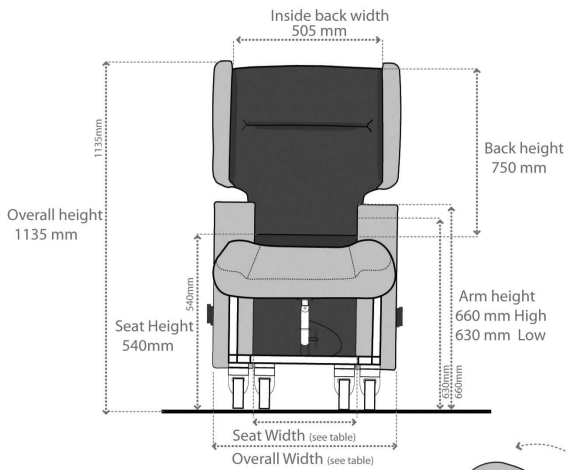
Atlanta™

The Atlanta™ comes with a manual reclining back with an integrated Tilt in Space mechanism and elevating leg rest. It also has the option of a sliding footplate, and a range of head supports can be used to support the position of the head for improved function and comfort. When the chair is used with those with contracted hamstrings, there is space to accommodate the contracted leg under the chair, reducing the risk of the Patient developing a posterior pelvic tilt and reducing into a sacral sitting position. With braking castors at the rear and non-braking castors to the front of the seat together with a push handle, this chair can be used for transfers around the environment it is used in.

In addition, arm supports can be removed on some models to allow extra space for side transfers and giving more space for adding and removing slings for a hoist. To order any accessories such as positioning belts, trays, removable and washable covers or other parts after delivery of your chair, please contact Seating Matters on info@seatingmatters.com, +4428 777 66624 or your local Seating Matters provider.

PRODUCT WARRANTY DETAILS:

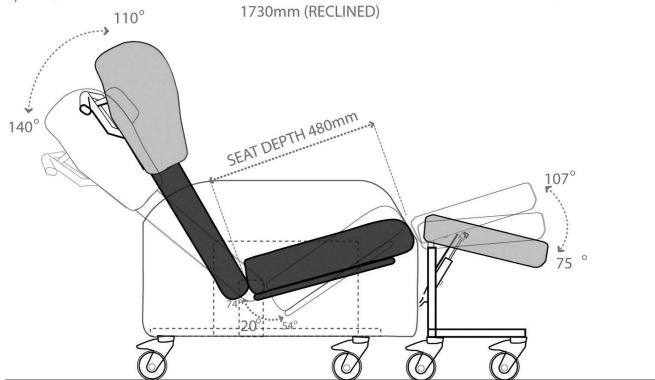
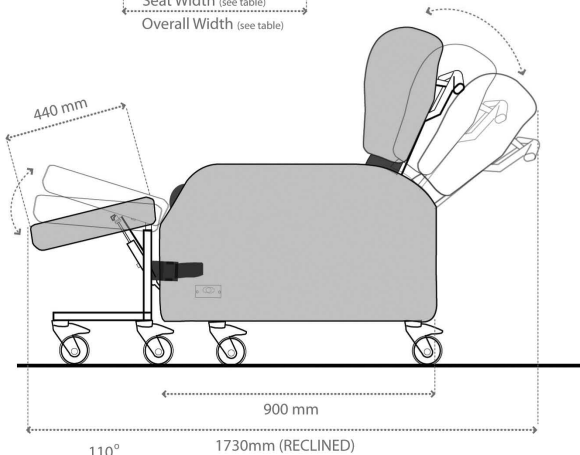
The Atlanta™ holds a 2 year warranty from the date of manufacture and a 3 year frame warranty, where reasonable care has been exercised.



AVAILABLE SEAT AND OVERALL WIDTH

SEAT WIDTH mm	OVERALL WIDTH mm
400	715
450	715
500	715
550	815
600	815

Max chair weight unloaded 67 kg/147.71lbs



SAFETY INSTRUCTIONS

ALL INSTRUCTIONS MUST BE READ AND UNDERSTOOD BEFORE THE PRODUCT MAY BE USED.

- When the Atlanta™ is not in transit, all the braking castors on the product must be engaged to prevent risk of injury when being used.
- Under no circumstances must the User or Patient stand or sit on the foot board of the Atlanta™.
- As far as possible, the Patient specific adjustments should be made when the Patient is not in the chair to avoid injury.
- Care must be taken when making the adjustments on the chair to avoid injury to the User and Patient. Only a competent person should make adjustments to this chair. If in doubt as to any the adjustments, feel free to call Seating Matters direct or your local Seating Matters provider.
- Keep all body parts away from the mechanisms under the chair. Repairs and maintenance should only be carried out by fully trained technicians.
- Exercise care in using the release lever for the reclining mechanisms and adjustments to avoid injury.

- The User must ensure that the Patient has a period out of the chair after sitting for a while to raise tissue oxygenation levels. Although the chair offers pressure reduction, the body tissue still needs time to recover. A maximum of 2 hours sitting is recommended at any one time. You must also observe Patient specific recommendations and guidelines as set by their health professional with regard to pressure care.
- For the safety of the User and Patient and to ensure longevity of the electrics on powered options, please ensure that your chair is charged nightly using a Seating Matters charger through the handset of the chair. For further details or replacement chargers please contact your Seating Matters provider.
- The chair should not be transported in a vehicle while the Patient is seated on the chair.
Assembly and installation instruction:

ASSEMBLY AND INSTALLATION INSTRUCTION:

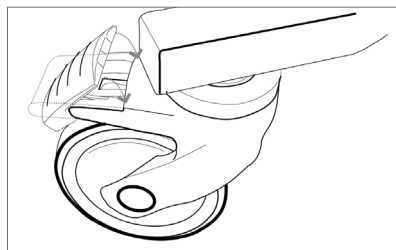
- This chair should arrive with you fully assembled. The User must ensure that the product is in good condition before use (check all nuts and bolts are fastened, fabric in good condition etc). If there are any problems, these must be reported to your Seating Matters provider and corrected before the chair is put into use.
- The product must be used on a level, plane, hard surface with the brakes engaged to avoid it moving during use and to ensure stability.
- The product must be clear of any obstacles before reclining the back to avoid damage to the chair and objects in its immediate environment.
- The product may not be left in an outdoor environment. More information on fabrics and their properties can be found on page 22.



USER GUIDE AND OPERATING INSTRUCTIONS

Please Note:

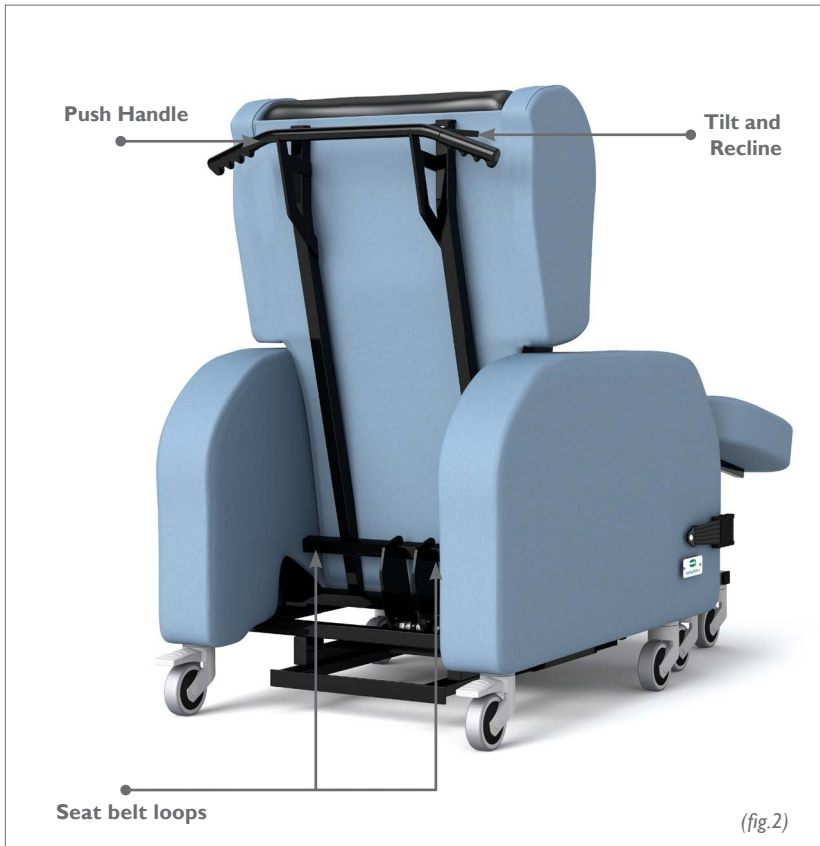
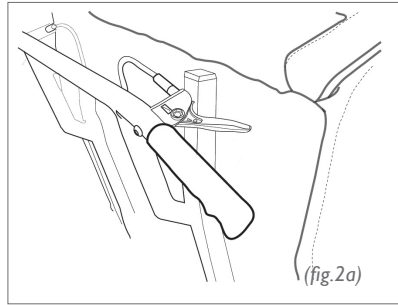
- BRAKING CASTORS:** The Atlanta™ chair must be used on a plane, hard surface with the brakes engaged to ensure stability and to avoid the device moving undesirably during use. Braking castors, where provided, must be in the braked position while in use (fig. 1) A competent person, trained in the use of the chair, should make adjustments and



set it up according to the User requirements and Patient dimensions before seating the Patient. Ensure there is more than one competent person there when making adjustments to ensure they are correct and safe for the Patient. Ensure all fixings are secure before allowing the person to sit in the chair.

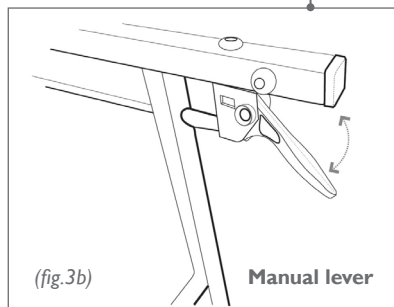
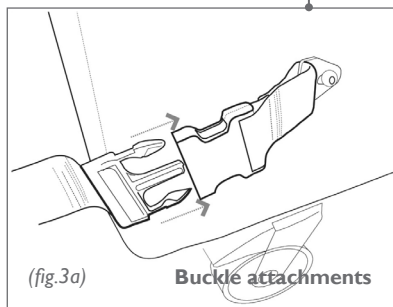
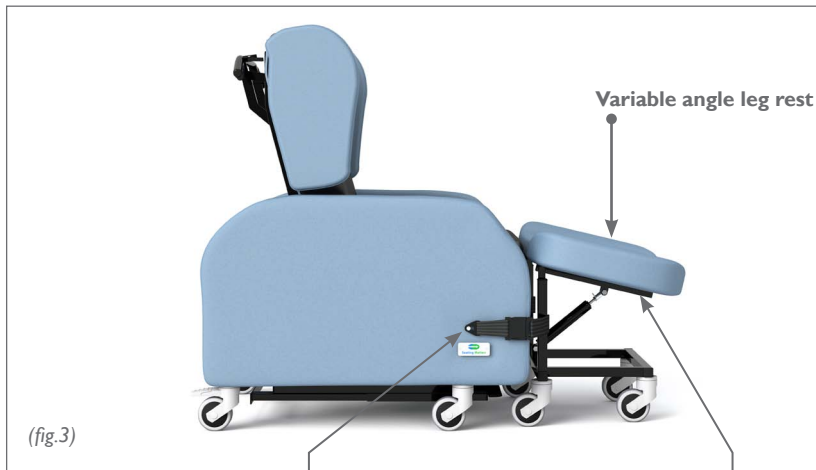
Please call your Seating Matters provider if you have any questions on these points. This product should not be lifted at any time unless by competent persons trained in manual handling.

- TILT AND RECLINE:** To operate the integrated Tilt in Space and recline on the chair, the User must inform the Patient then stand behind the chair and with two hands, firmly hold the push handle while closing the release lever. (fig.2&2a) Move the back of the chair slowly until it is in the required position and allow the release lever to move to its relaxed position before letting go of the push handles.



- CHAIR MOVEMENT:** To move the chair around, ensure that the back is in a fully upright position and push using the push handle on the back. Only a competent person should move this chair.

- **LEG REST:** A variable angle leg rest can be used with the Atlanta chair.
When the leg rest is used, please ensure that it is attached securely onto the chair using the buckle attachments on both arms of the chair. (fig.3a) Ensure that only the weight of the Patients legs are placed on this leg rest. Do not sit on the variable angle leg rest.



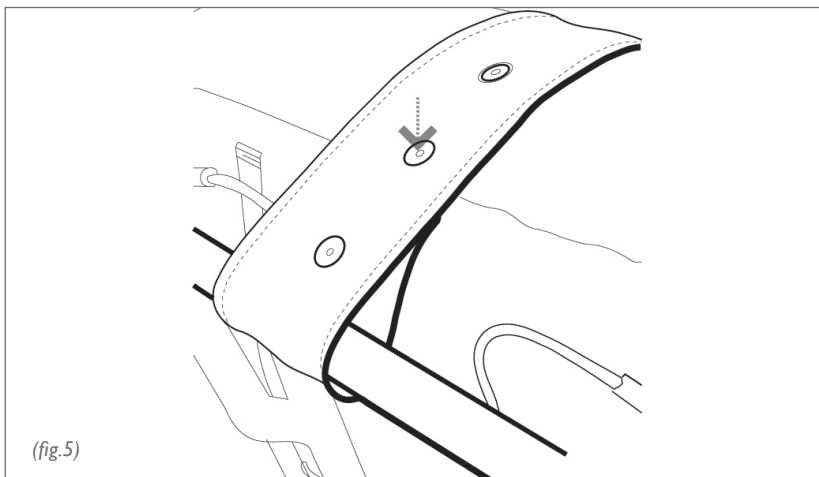
Before changing the angle of leg rest, the User or Patient must ensure there are no objects in the immediate environment that could obstruct the leg rest elevation or come into contact with the Patients' legs. Using the manual lever located under the front of the leg rest, move the leg rest until it is in the required position and release the lever. (fig.3b)



- SLIDING FOOTPLATE:** To use the sliding footplate, pull it out to the full position and allow the feet to rest on it, ensuring that the feet are placed on top of the sliding footplate. (fig.4) At no point should anyone stand or sit on the sliding footplate. Push the footplate in to its fully retracted position before allowing the Patient to get on or off the chair, exercising care to stay away from the sliding rail move the footplate by holding the front lip.
- STAND TRANSFERS:** For those who stand transfer,ensure the footplate is pushed in to its fully retracted position before allowing the Patient to get on or off the chair, exercising care to stay away from the sliding rail, move the footplate by holding the front lip. Use the integrated Tilt in Space and back recline to bring the chair up to a safe position for the Patient and perform the stand transfer. At no point should anyone stand or sit on the footplate.
- SEAT CUSHION:** The seat cushion on the Atlanta™ is a waterproof, pressure reducing, breathable, medium foam cushion can be added for pressure relief and comfort in the chair.The seat cushion will have Velcro on one face and a zip closure to the rear.
To fit the seat cushion to the chair, ensure the Velcro is on the bottom and makes contact with the Velcro already on the base board, with the zip closure at the rear.This is important as the foams' structure allows good immersion and envelopment of the body ONLY when fitted as instructed.

ACCESSORIES:

- **HEADREST:** There are various types of headrests for the Atlanta: Each can be viewed online and can be trialled from your local Seating Matters provider.
Each headrest is attached using a belt and a series of buttons. Place the support behind the head (and for Concave and Horseshoe supports over the shoulders too) and position it at a suitable location for the Patient. Use the buttons to clip the head support in place around the push handle and avoid it slipping down the Patients' back. (fig.5) Some head supports can be filled or reduced in size by opening the zip at the back. Remove or add some filling until it is at the desired level of support and close the zip again. Ensure excess filling is disposed of carefully.





- SEAT BELT:** The Seating Matters two point belt is only to be used for positioning in accordance with facility or local regulations regarding restraint.

User guide and operating instructions: Adjust the belt to the desired length. Clip the two metal ends of the belt onto the two loops on the hardware of the chair. Pull to ensure it is locked in place. Close the belt in a safe and suitable position on the Patient. Monitor and check regularly in accordance with facility or local regulations regarding the use of the belt. (fig.6)
- SEAT CUSHION COVER:** This washable cover is made from Dartex material and will fit over the existing seat cushion cover of the chair. *Ensure the flat panels are to the side of the seat cushion and the continuous Dartex panel of the seat cover goes from the front to the back of the cushion.*
- ARM COVER:** One or two washable arm covers can be used on the chair to increase its longevity and improve hygiene.

User guide and operating instructions: Arm covers will fit on tightly over the arm of the chair. Ensure they are pulled right down as far as possible over the arm
- TRAY:** A tray for positioning support and facilitation of meals and activities can be added to the chair. It is only to be used in accordance with facility or local regulations regarding restraint.

User guide and operating instructions: Place the tray on the top of the arms, with the concave part towards the Patients' body. Using the belt attachments, clip the four belts in place at the bottom of the arm. Ensure the tray is in a comfortable and safe position for the Patient. Monitor and check regularly in accordance with facility or local regulations regarding the use of the tray.



WORKING ENVIRONMENT

- **DARTEX MULTI-STRETCH:** Waterproof, stain resistant, flame retardant, multidirectional stretch for pressure relieving situations – i.e. seat cushion and seat back.
- **VINYL:** Non-absorbent, anti-bacterial, flame retardant, strong, durable material for outer arms, outside back etc.

CLEANING AND MAINTENANCE OF FABRICS

- **VINYL: (Arms and outside back) Stain Resistance:** The vinyl is resistant to urine, most household stains, mild acids/alkalis, drinks and beverages as they are not absorbed by the vinyl and can be wiped off without any problem or lasting damage. Some difficult substances such as lipstick, ball point pen ink and food colourings should be cleaned off immediately to avoid permanent staining.
- **CLEANING:** To ensure proper cleaning and longevity of the fabrics, the chairs should be cleaned with warm soapy water followed by a clean water rinse to help retain the attractive appearance and durability. Heavy, ingrained soiling may be removed by scrubbing with a soft brush. Strong detergents, solvent cleaners, polishes or patent chemical cleaners should not be used as they are unnecessary and may cause embrittlement and cracking of the material. Additional Care – special attention should be given to head rest and arm rest areas, as build-up of body oils in these areas will gradually cause the vinyl to harden.

DARTEX MULTI STRETCH FABRIC (BLACK PATIENT CONTACT SURFACE)

PROPERTIES: This fabric is waterproof, has the ability to be wiped clean and has biostatic (anti-mycotic) coatings to provide an impenetrable barrier to virus and bacteria. Superficial dirt may be removed by wiping with a soft cloth moistened with water containing a neutral detergent. More persistent contamination may be treated by wiping with alcohols or turpentine substitute, followed by hot water and detergent. Routine cleaning and disinfection in situ may be carried out on the coating with hand hot water and a neutral detergent or with a sodium hypochlorite solution (0.1% or 1000 parts per million available chlorine). The material is compatible with the 10,000ppm available chlorine in solution required for the decontamination of blood spills. Excess solution must be removed and the surface thoroughly rinsed and dried prior to reuse or storage. Proprietary disinfectants may be used provided manufacturer's instructions are followed.

All cleaning agents, and disinfectants, must be thoroughly rinsed off and the item dried

before storage. Failure to do this may result in damage to the polyurethane coating, react with the chair frame, or negate the biocompatibility results of the fabric. It is essential that articles be thoroughly dried after all cleaning procedures and before storage.

END OF LIFE (DISPOSAL)

Please contact Seating Matters for disposal of your chair at the end of its lifespan. Batteries may only be disposed of according to your local legal guidelines.

SAFETY

The Atlanta™ is CE marked to show conformance to the Medical Devices Directive 93/42/EEC and conforms to BS ISO 7176 at medium hazard.

ATLANTA™ MAINTENANCE AND SERVICING

Regularly servicing your Seating Matters chair will prevent untimely and inconvenient breakdowns, reduce repair costs and extend the chairs' life. Damage to the chair can also cause excess strain for the User and Patient.

IMPORTANT!

Parts can only be changed by service persons trained in Seating Matters products and use only Seating Matters parts. We recommend that your chair is serviced every year by a Seating Matters approved provider for any running repairs and maintenance.

MAINTENANCE

Carry out the following regular checks to ensure the operation and safety of the chair. If you are in any doubt about the functioning of your chair contact your Seating Matters approved provider immediately.

DAILY

- Check that the castors are not damaged
- Check that the castors turn freely
- Make sure that the castor forks run free and are not bent.
- Check all fabrics for damage or contamination and replace where necessary.
- See Cleaning and Maintenance of Fabrics section in manual for cleaning instructions.
- Check batteries and electrical connections are secure

WEEKLY

- Check the castors fittings for hair and dirt etc. which could restrict the castor movement.
- Pick out any such material with tweezers or take the spindle out, clean it and then replace it.
- If it is still not free (one continuous turn without it sticking) contact your Seating Matters approved provider for replacement.

MONTHLY

- **CASTORS:** Make sure the top of the castor housing is parallel with the floor. Any variation will cause restricted movement. If it is damaged contact your Seating Matters approved provider for replacement.

- **MECHANISMS:**

Check all tilting mechanisms are working smoothly.

Check that cables are not kinked or frayed.

Check that all nuts and bolts are present.

Check that all nuts and bolts are secure.

Note: If nuts or bolts need attention, contact your Seating Matters approved provider IMMEDIATELY and DO NOT USE the chair until it has been serviced.

- **LEG RESTS:** Check that all leg rests are easily removed/swung-away and replaced or repositioned easily. Ensure that parts lock in place securely. If parts are not locking try lubricating.

If the problem still remains contact your Seating Matters approved provider.

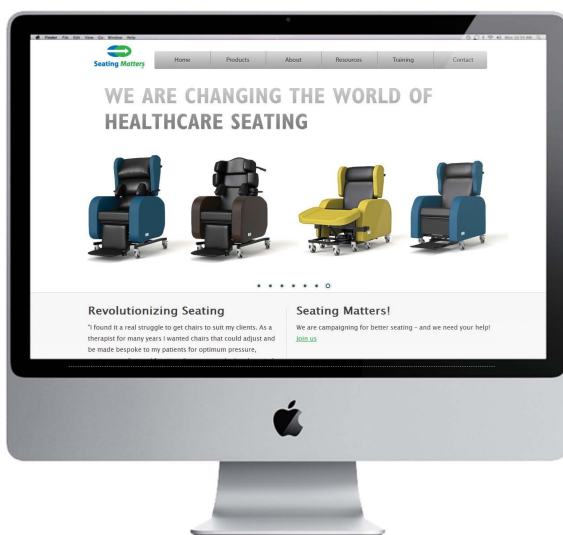
- **FRAME:** Check the visible parts of the frame for cracks, splits, large dents or other damage. If you find any of these things DO NOT USE. Contact your Seating Matters approved provider immediately.

**WE'RE HERE
TO HELP...**

**FOR ANY QUESTIONS OR QUERIES REGARDING YOUR
SEATING MATTERS CHAIR PLEASE CONTACT:**

info@seatingmatters.com

VIEW OUR FULL RANGE OF CHAIRS & ACCESSORIES ONLINE...



WWW.SEATINGMATTERS.COM

MANUFACTURED BY:
SEATING MATTERS LTD.
Limavady
N Ireland
BT49 9JG
+4428 777 666 24
info@seatingmatters.com

