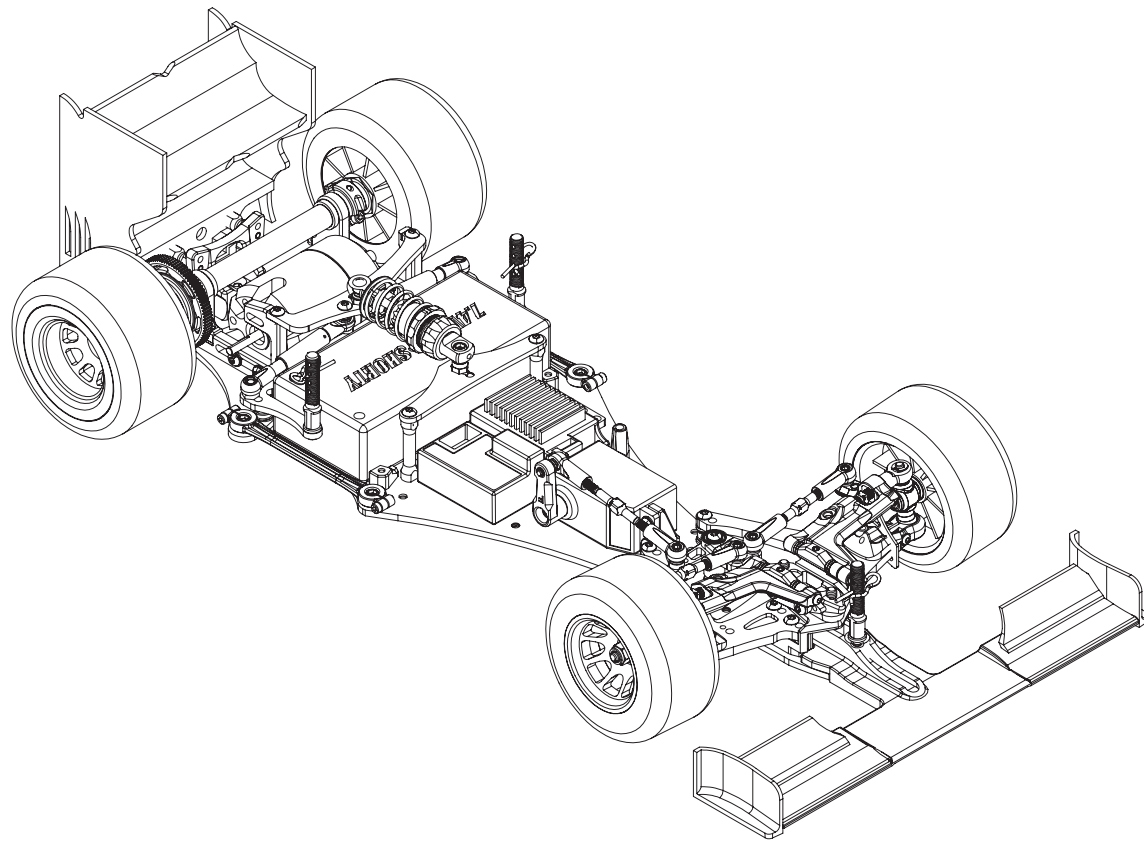


COMPETITION GRADE HIGH PERFORMANCE RADIO CONTROL RACING CAR CHASSIS KIT

LIGHTNINGFXM

1/10 SCALE ELECTRIC COMPETITION FORMULA CAR KIT



INSTRUCTIONS MANUAL



Thank you for purchasing VBC Racing product.

Things that we should remind you.

This VBC Racing kit is a high performance, racing grade car kit intended for experienced racers. The kit compose of VBC formulated composite materials, top quality full carbon fiber chassis and high grade 7075 material which will give you a competitive edge over the others.

Novice racer should seek advice from more experienced racer before assembly.

Always keep this instruction manual handy at all times for quick reference even after completing the assembly.

Before your assembly, sand the chassis edges.

Sand the chassis edges with #600 sand paper and apply CA glue to the edges and counter sink holes.

Need help or support.

If you need help or you would like to leave us a comment, please email to our support team: support@vbc-racing.com or visit our web site www.vbcrcracing.com



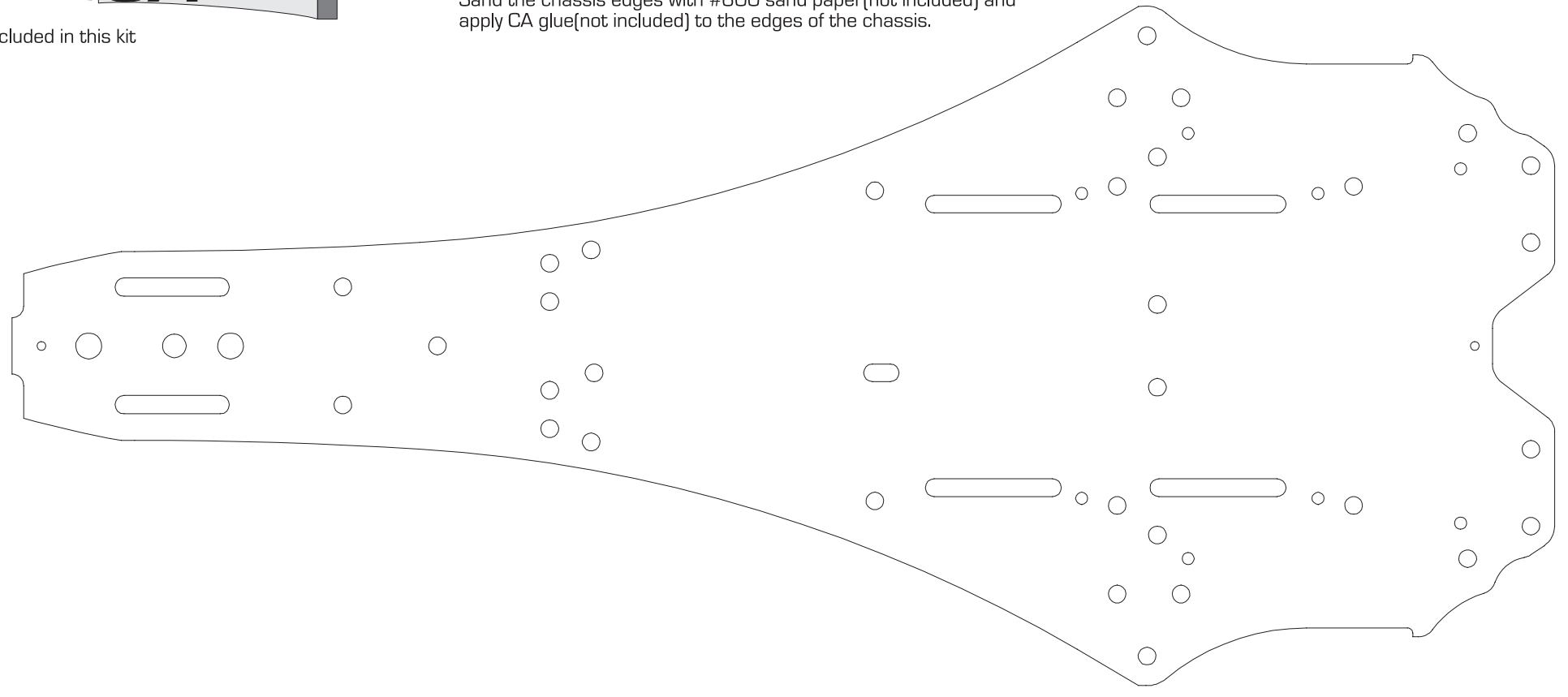
1

Graphite Edges Protection Procedure

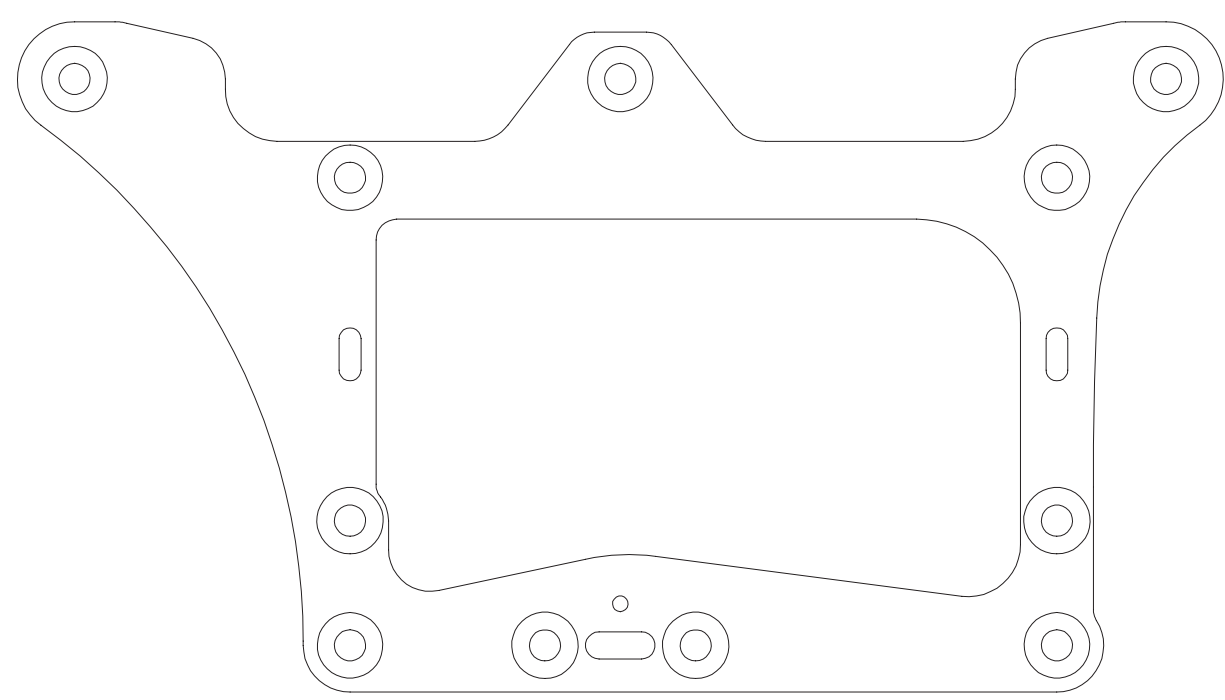


*Not included in this kit

Sand the chassis edges with #600 sand paper(not included) and apply CA glue(not included) to the edges of the chassis.



A-01-P51204 Lightning FXM Main Chassis

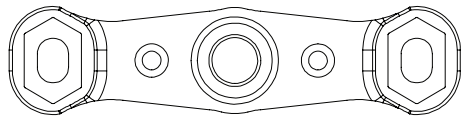


A-01-P51183 Lightning FXM Lower Pod Plate

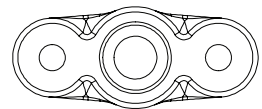
Sand the below graphite edges with #600 sand paper and apply CA glue to the edges.

2

Pivot Brace Assembly Part 1



Pivot Brace (bottom) A-03-VBC-5007 x 1



Pivot Brace (cover) A-03-VBC-5008 x 1



M2x6 Cap Head C-02-SC-R2.0x6 x 2



Pivot Balls A-03-VBC-1027 x 5



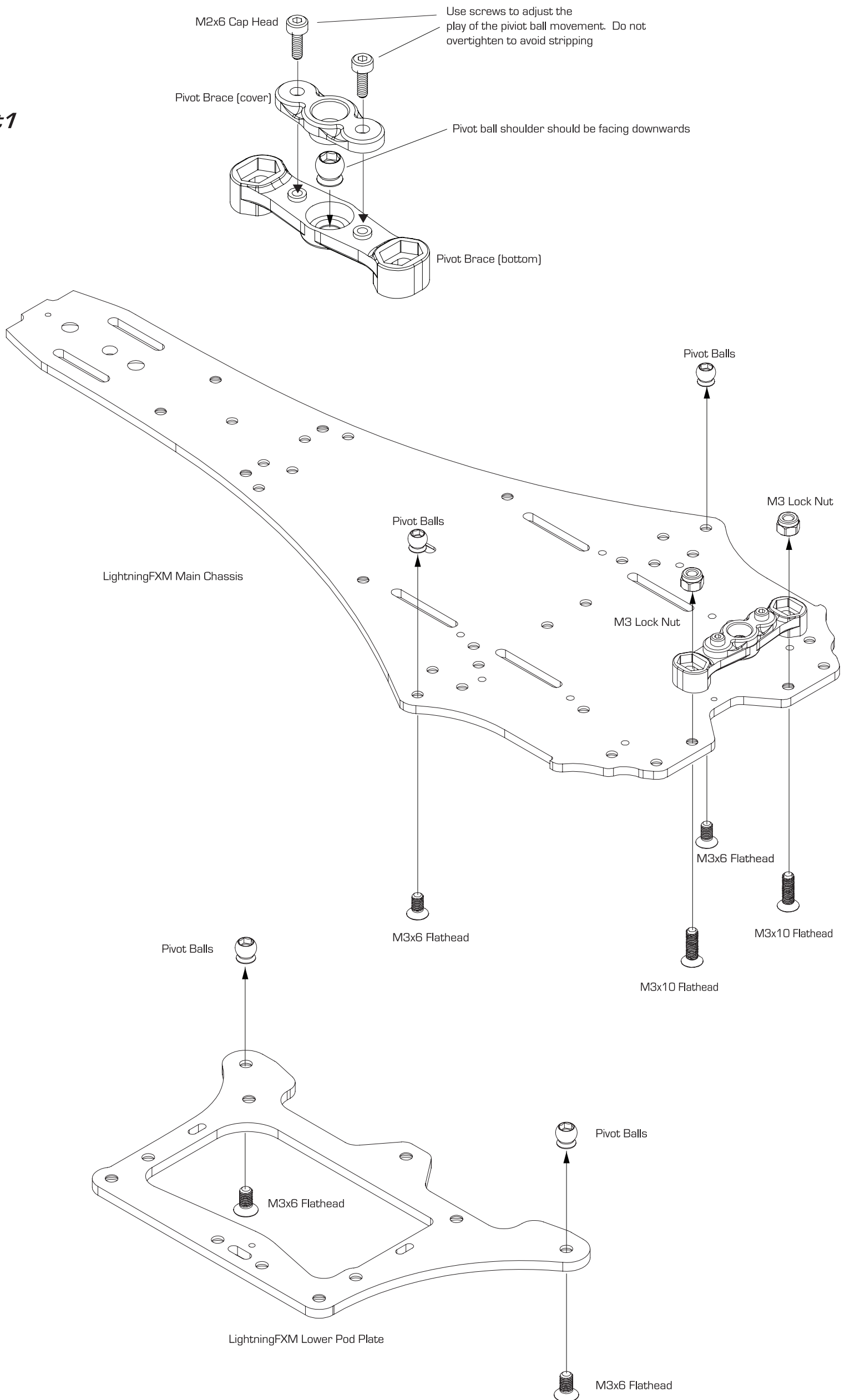
M3x6 Flathead C-02-SC-F0306 x 5



M3 Locknut C-02-SC-NN03 x 2



M3x10 Flathead C-02-SC-F0310 x 2



BAG MARKED **STEP 2-3**

2

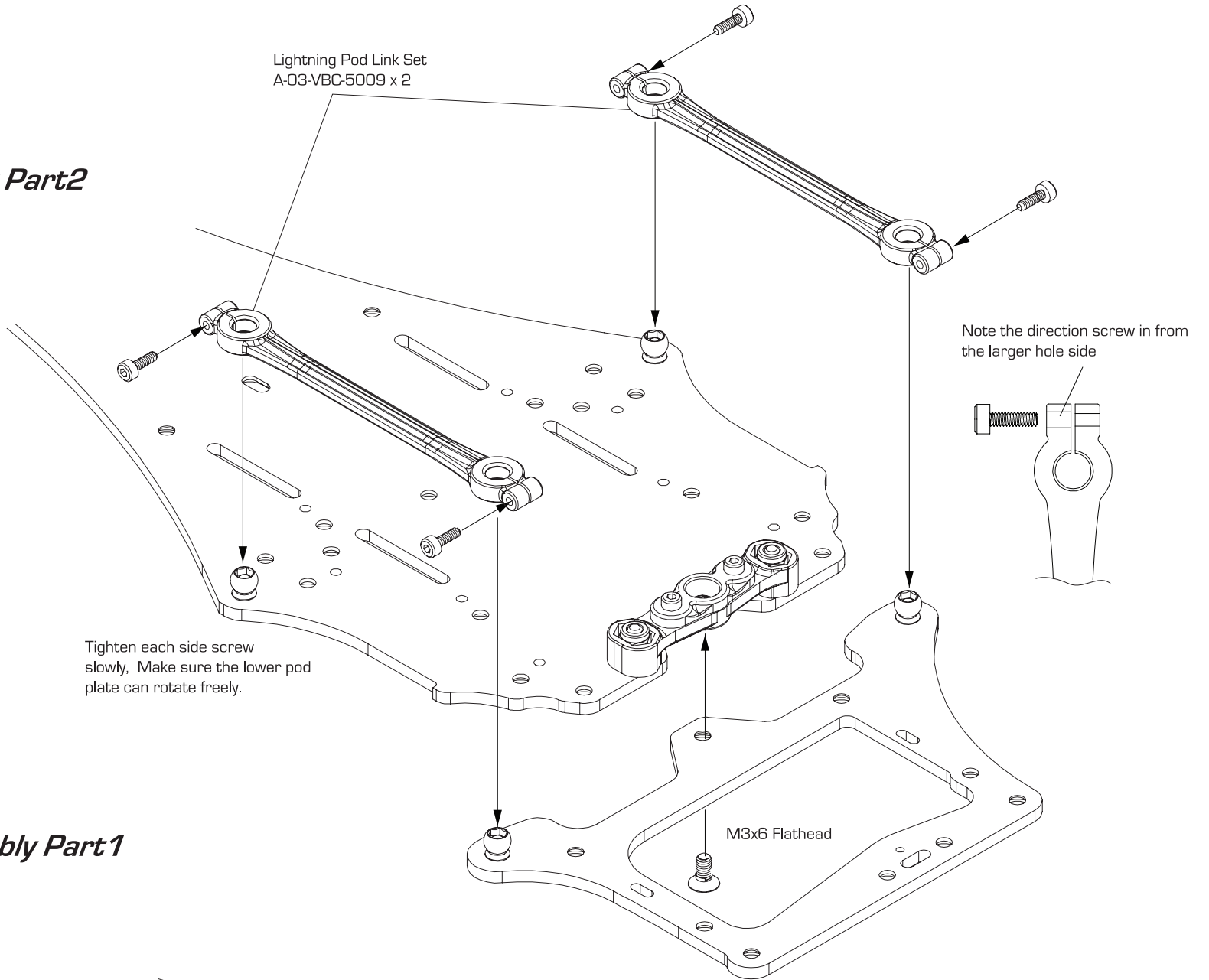
Pivot Brace Assembly Part 2



M2x6 Cap Head C-02-SC-R2.0x6 x 4

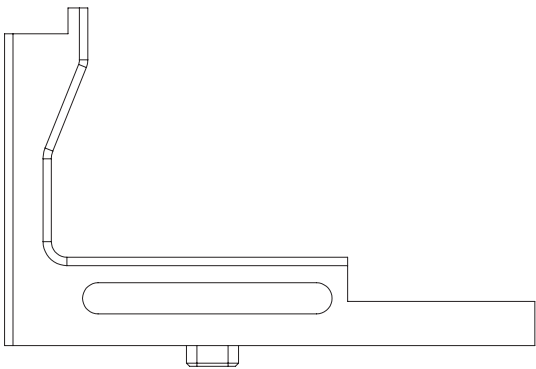


M3x6 Flathead C-02-SC-F0306 x 1

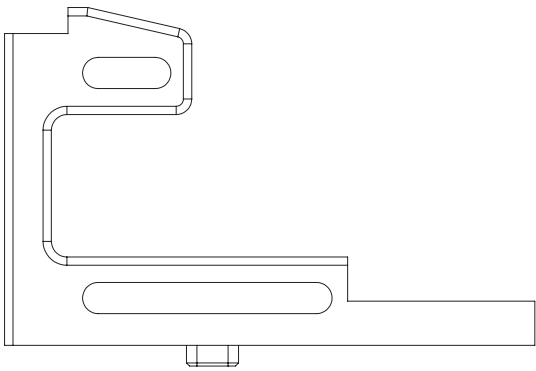


3

Rear Bulkhead Assembly Part 1



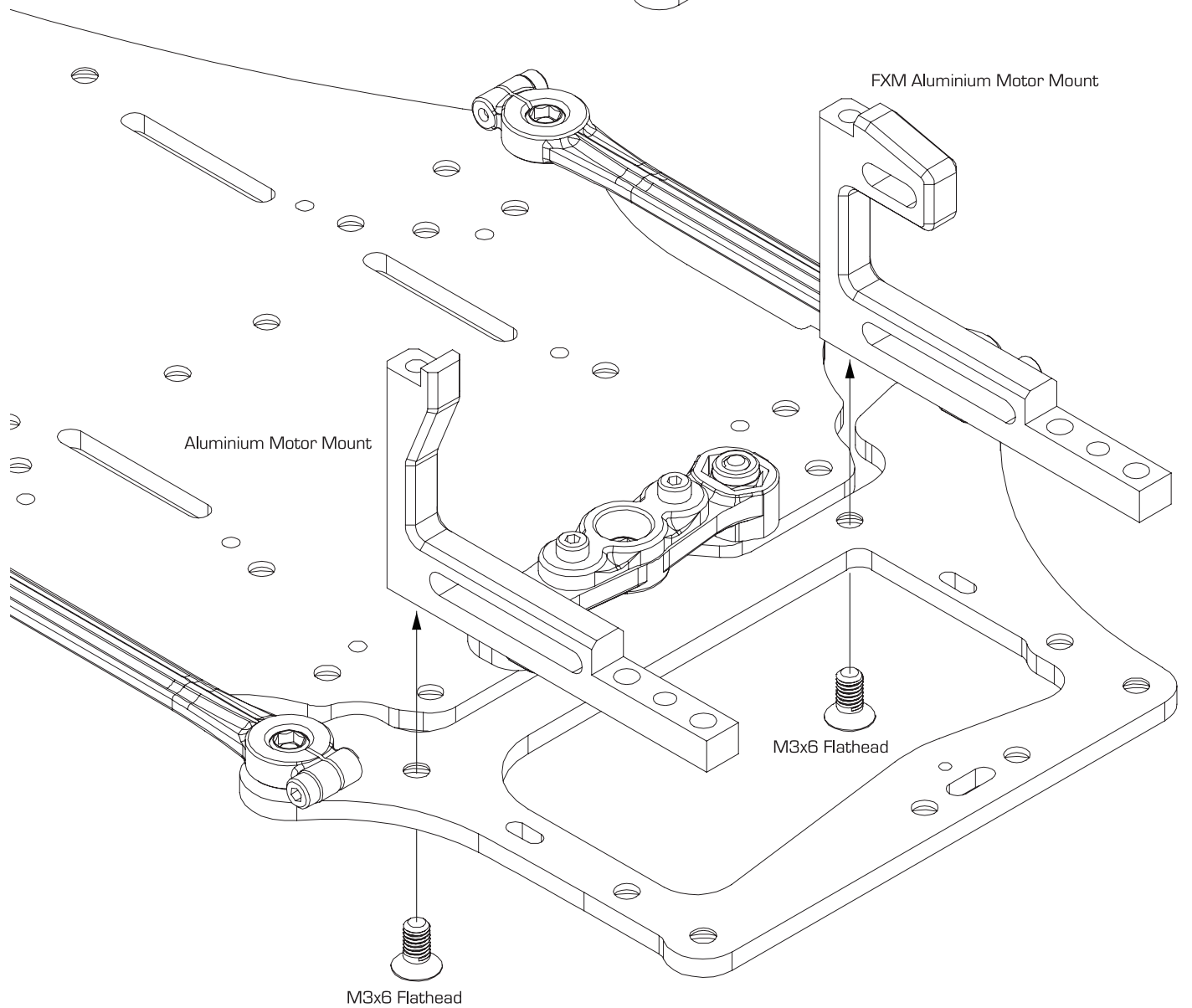
Aluminium Motor Mount B-02-P50664 x 1



FXM Aluminium Motor Mount B-02-P51284 x 1



M3x6 Flathead C-02-SC-F0306 x 4

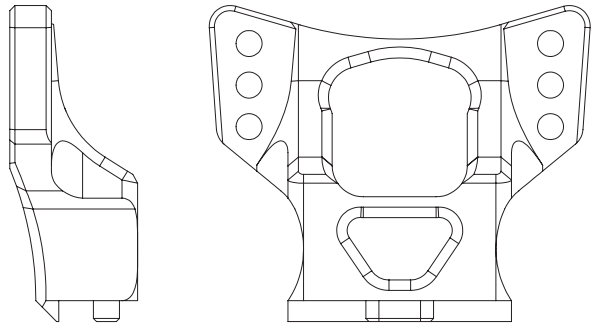


3

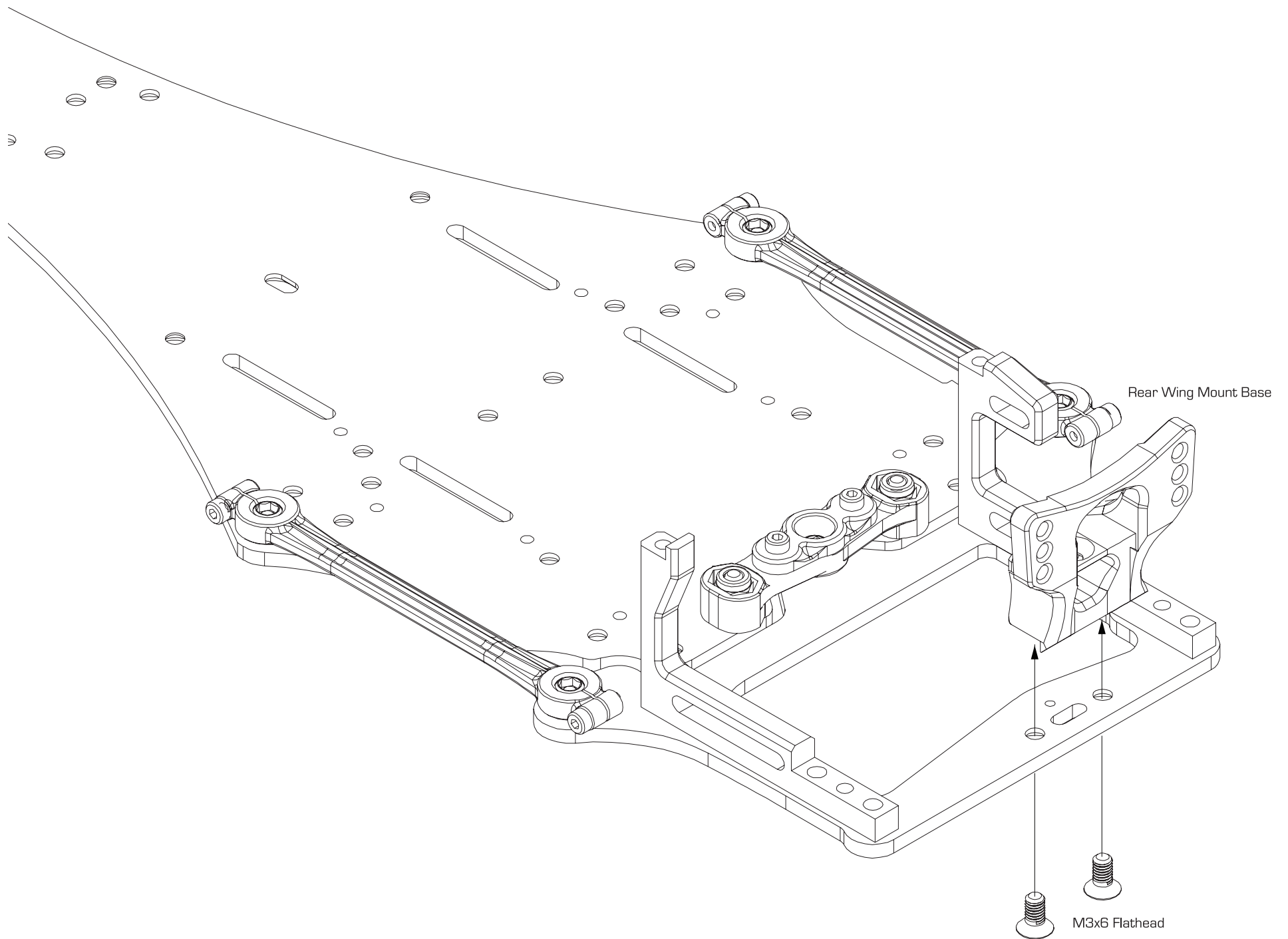
Rear Bulkhead Assembly Part2



M3x6 Flathead C-02-SC-F0306 x 2

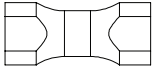


Rear Wing Mount Base B-02-P51184 x 1



4

Rear Chassis Brace Assembly



14mm Aluminum Standoff B-02-VBC-5073 x 2



M3x6 Flathead Screw C-02-SC-F0306 x 2



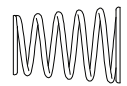
4.7mm Thin Ball Nuts B-02-P51288 x 2



M3x6 Roundhead C-02-SC-R0306 x 6



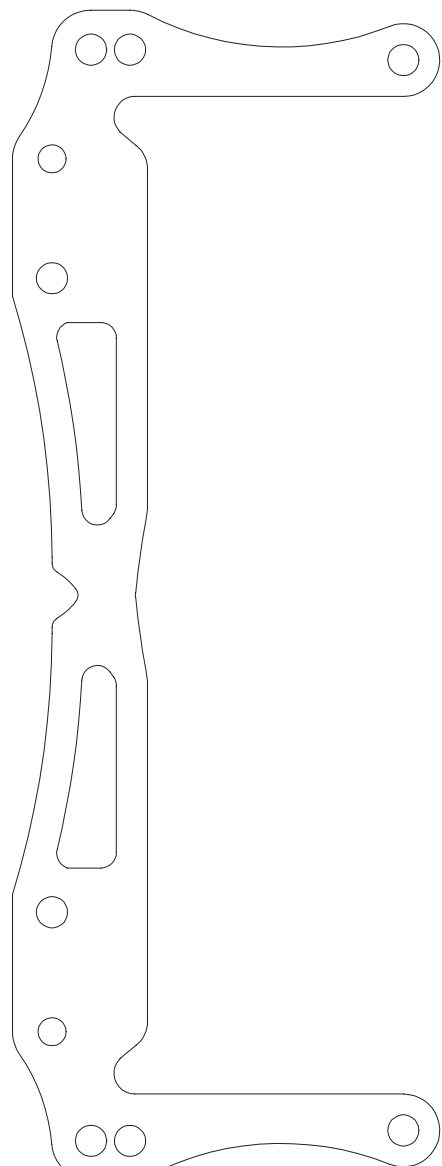
Aluminum Side Spring Retainer B-02-VBC-5074 x 2



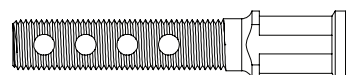
Side Spring (Soft/Silver) A-03-VBC-1047 x 2



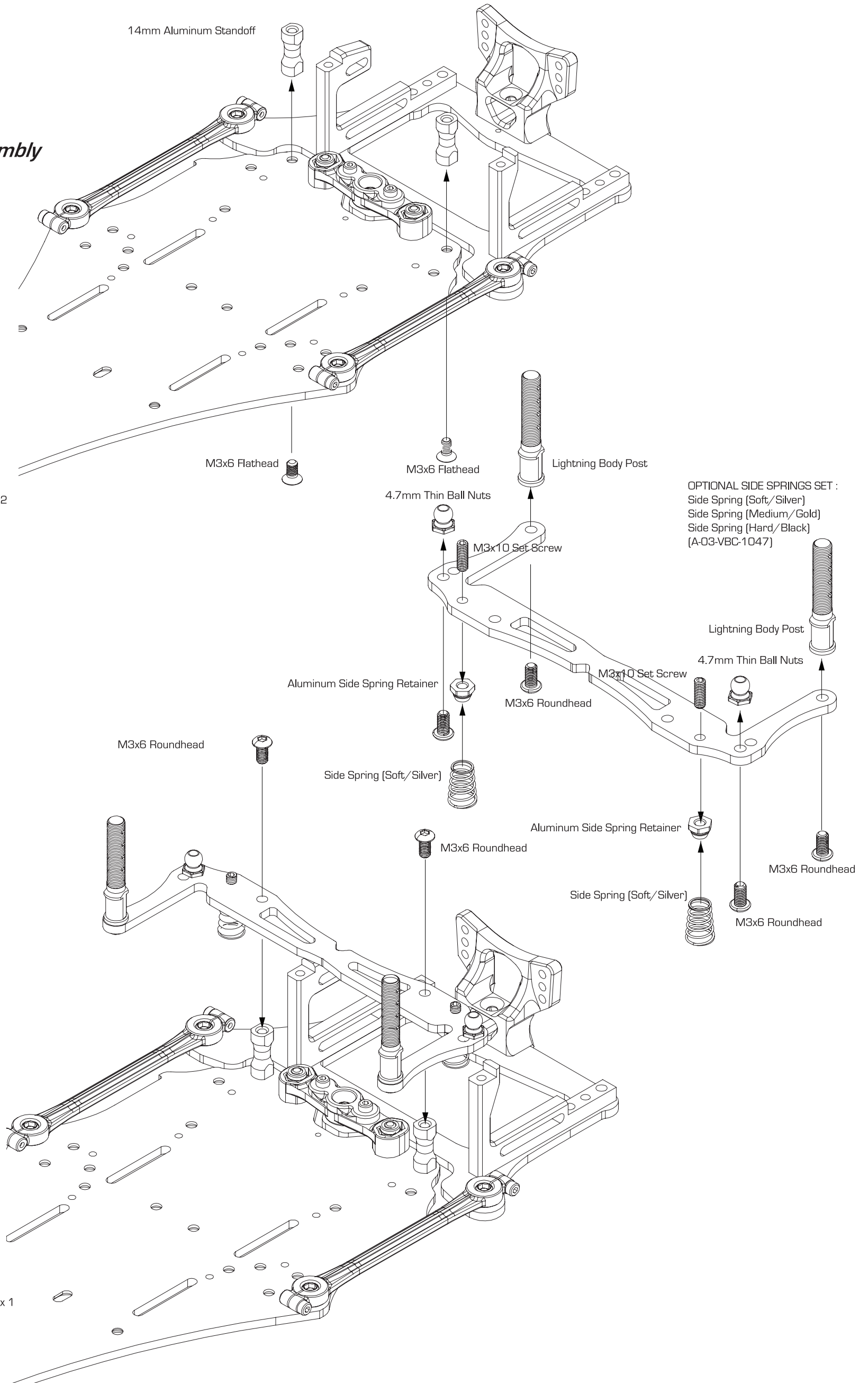
M3x10 Set Screw C-02-SC-SS-0310 x 2



Lightning FXM Rear Chassis Brace A-01-P51199 x 1



Lightning Body Post A-03-VBC-5010 x 2



5

Side Damper Tube Assembly

4.7mm Thin Ball Nuts B-02-P51288 x 2

Ball Connector B-02-VBC-0045 x 1

M3 Hex Nut C-02-SC-FN03 x 1

M3x6 Roundhead C-02-SC-R0306 x 4

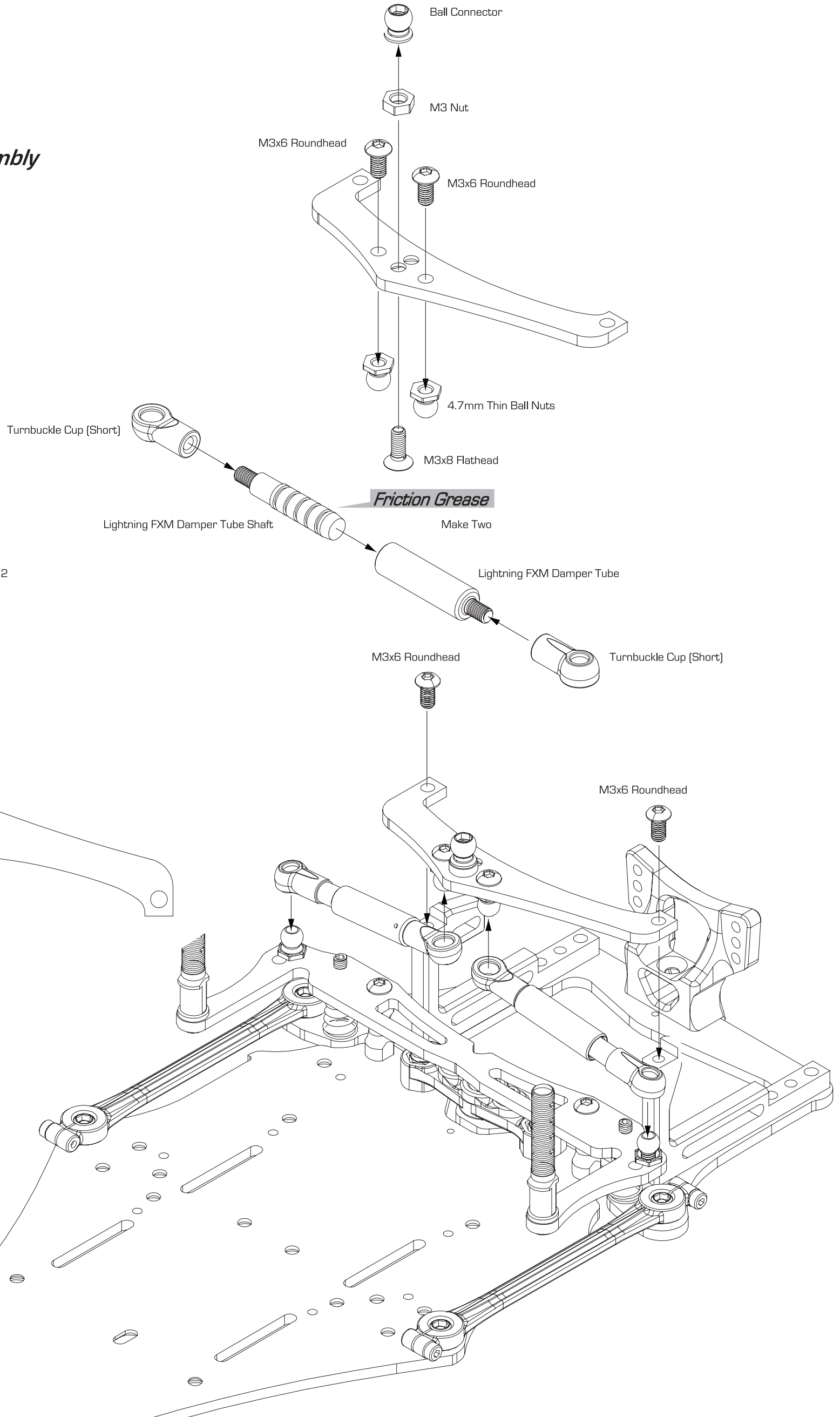
M3x10 Flathead C-02-SC-F0310 x 2

Lightning FXM Damper Tube Shaft B-02-P51201 x 2

Lightning FXM Damper Tube B-02-P51200 x 2

Turnbuckle Cup (Short) A-03-VBC-5021 x 4

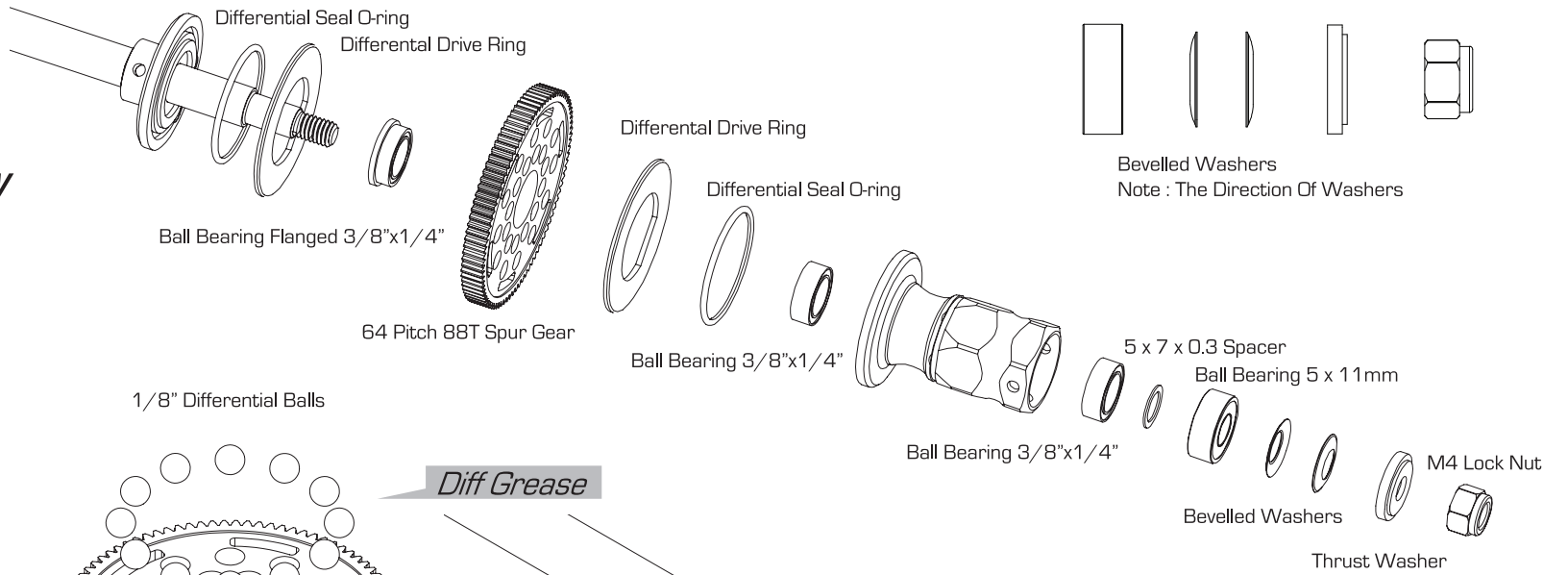
Lightning FXM Upper Pod Plate A-01-P51198 x 1



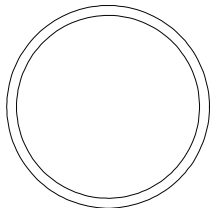
6

Ball Differential Assembly

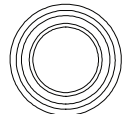
LightningF Rear Axle
D-05-VBC-0124



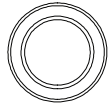
Bevelled Washers
Note : The Direction Of Washers



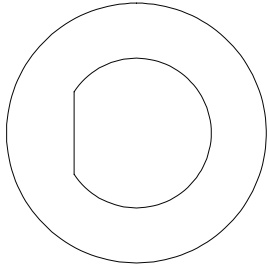
Differential Seal O-ring B-02-VBC-5082 x 2



Ball Bearing Flanged 3/8"x1/4"
C-02-BB-3814F x 3



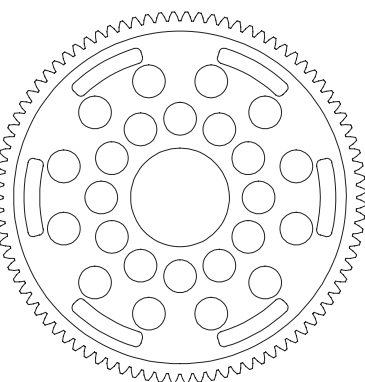
Ball Bearing 3/8"x1/4" C-02-BB-3814 x 2



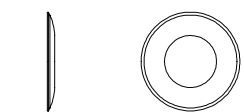
Differential Drive Ring B-02-VBC-1001 x 2



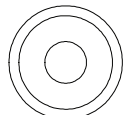
1/8" Differential Balls C-02-DB-0801 x 12



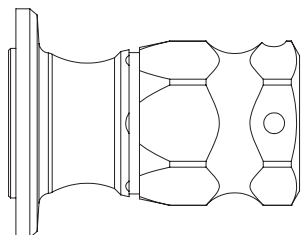
AXON Spur Gear DTS 64P88T G-02-P51282 x 1



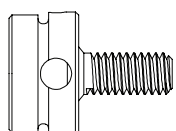
Bevelled Washer C-02-VBC-5076 x 2



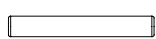
Thrust Washer B-02-VBC-5125 x 1



FXM Aluminum Diff Hub B-02-P51289 x 1

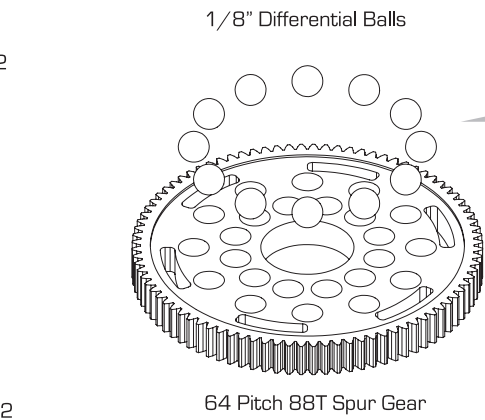


Hardened Differential Cap B-02-VBC-5124 x 1

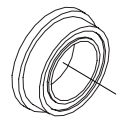


M2x14 Shaft Pin A-03-VBC-1049 x 1

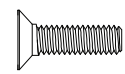
© VBC Racing LIGHTNING FXM



Ball Bearing Flanged 3/8"x1/4"

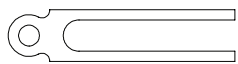


FXM Rear Hub Axle Housing L

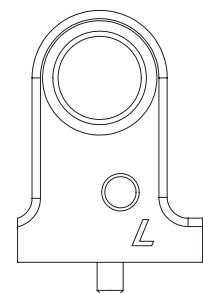


M3x12 Flathead C-02-SC-F0312 x 4

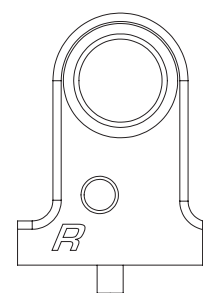
Ride Height 1.0mm Spacer



Ride Height 1.0mm Spacer A-01-P50968 x 4



FXM Rear Hub Axle Housing L B-02-P51205



FXM Rear Hub Axle Housing R B-02-P51192

Diff Grease

Carbon Cross Tube A01P50665
Make Sure the Carbon Cross Tube Is Free From Turning After Assembled

FXM Rear Hub Axle Housing R

Ball Bearing Flanged 3/8"x1/4"

Ride Height 1.0mm Spacer

Insert Or Remove Ride Height Spacers to Adjust The Rear Ride Height

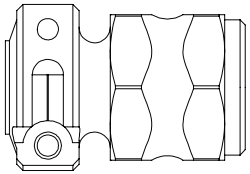
M3x12 Flathead

M3x12 Flathead

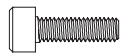
07

7

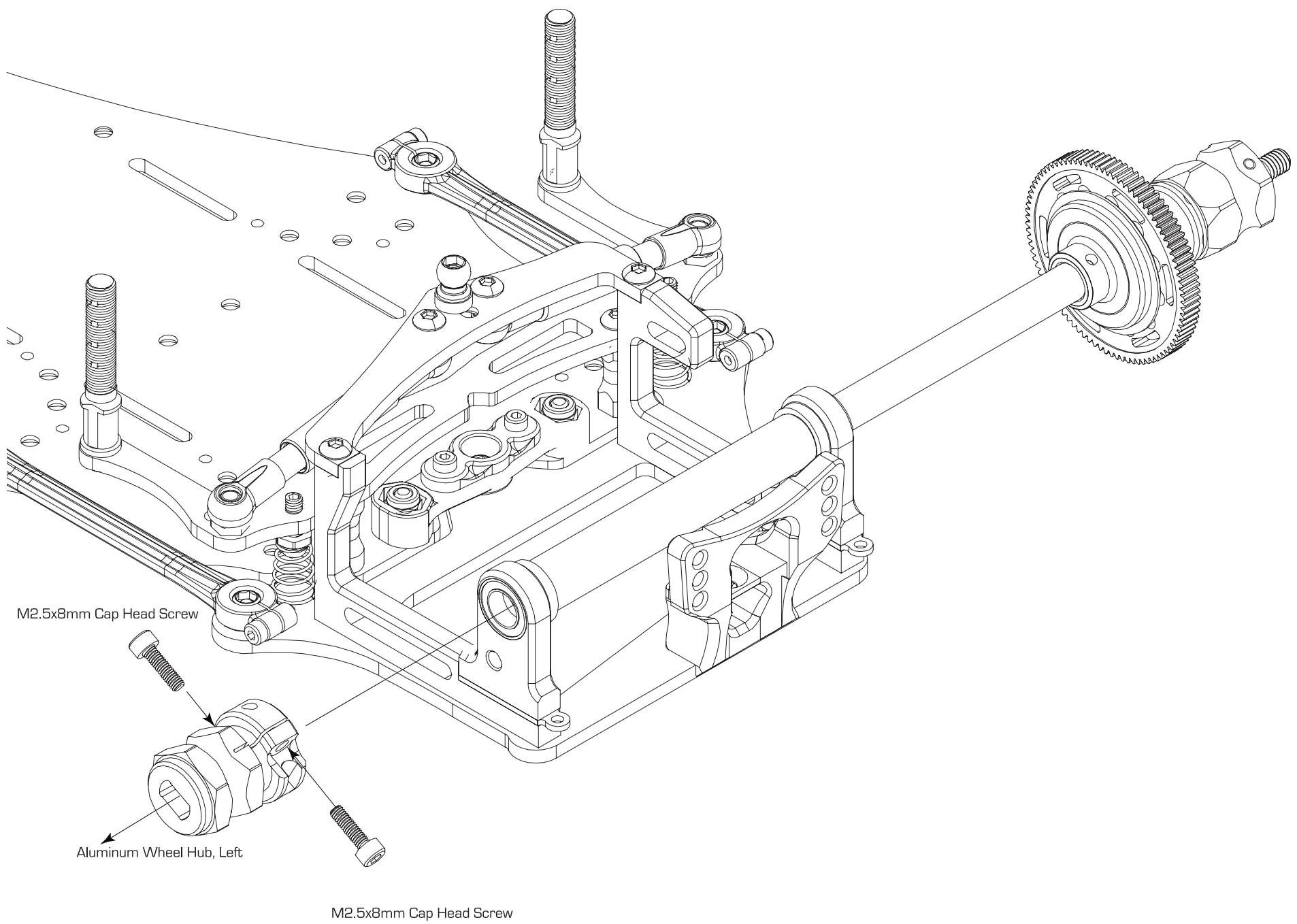
Ball Differential Assembly



Aluminum Wheel Hub, Left B-02-VBC-5122 x 1

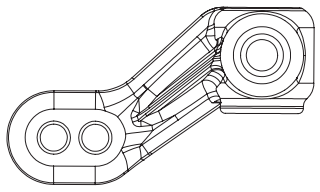


M2.5x8mm Cap Head Screw C-02-SC-R2508 x 2



8

Steering Blocks



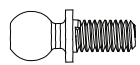
Composite Steering Block
A-03-P50832 x 2



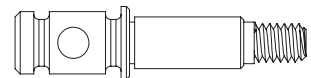
3mm X 7mm X 0.5mm Spacer
C-02-P50830 x 2



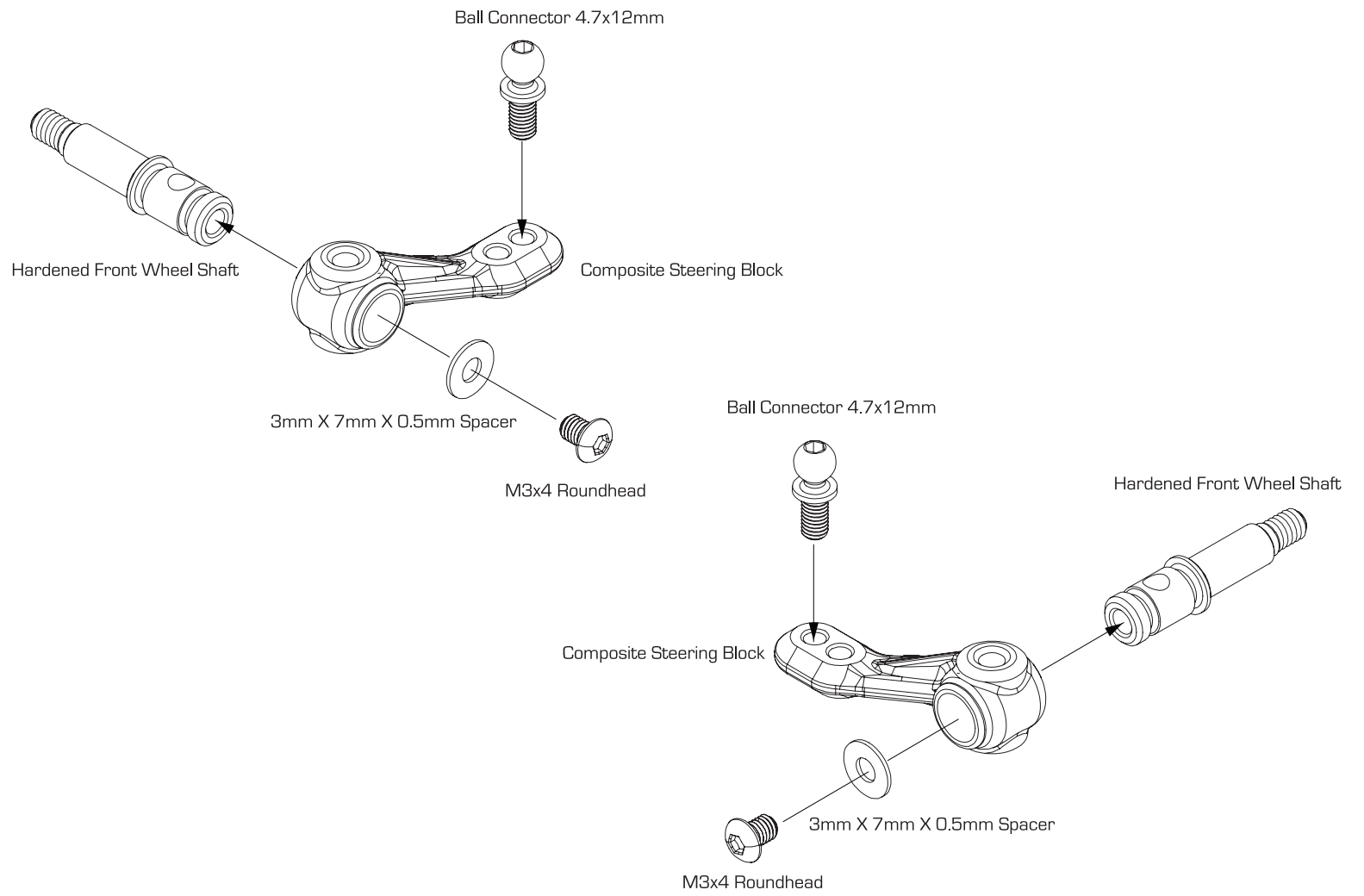
M3x4 Roundhead C-02-SC-R0304 x 2



Ball Connector 4.7x12mm
B-02-VBC-5015 x 2

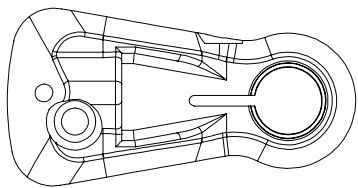


Hardened Front Wheel Shaft
B-02-VBC-1002 x 2

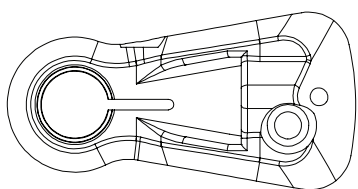


9

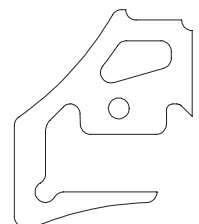
Front End Assembly



Front Lower Arm Pivot Ball Mount (Right) D-05-VBC-1006 x 1



Front Lower Arm Pivot Ball Mount (Left) D-05-VBC-1006 x 1



Steering Limiter V3 A-01-P51290 x 2



M3x8 Flat Head Screw C-02-SC-F0308 x 2



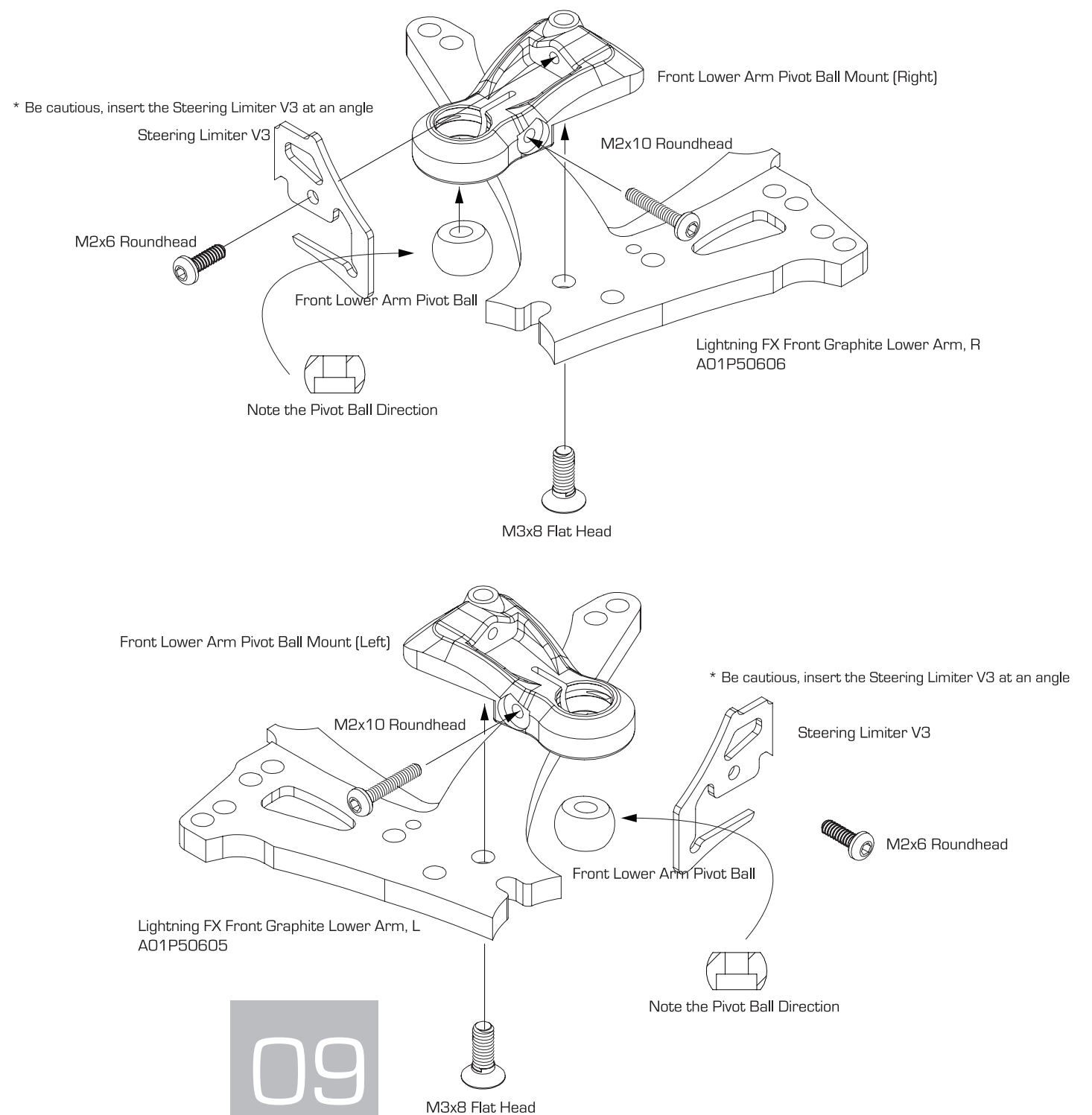
Front Lower Arm Pivot Ball A-03-VBC-1022 x 2



M2x6 Roundhead Screw C-02-SC-R0206 x 2

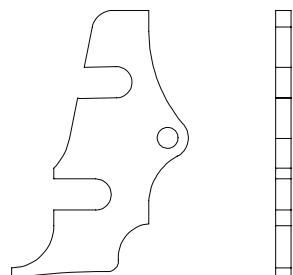


M2x10 Roundhead Screw C-02-SC-R0210 x 2



10

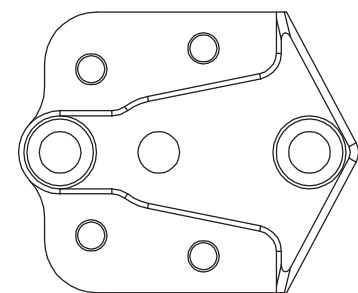
Front End Assembly Continue



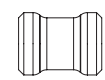
Ride Height 1.5mm Adjustment Spacer x 2
D-05-VBC-1018



M3x8 Roundhead C-02-SC-R0308 x 4



Lower Arm support A-03-VBC-1033 x 1



Lightning FX Lower Arm Support Mount B-02-P50607 x 2



M3x6 Flathead Screw C-02-SC-F0306 x 2



Suspension Arm Spacer T2 Composite A-03-VBC-0052 x 4



Suspension Arm Spacer T1 Composite A-03-VBC-0051 x 4



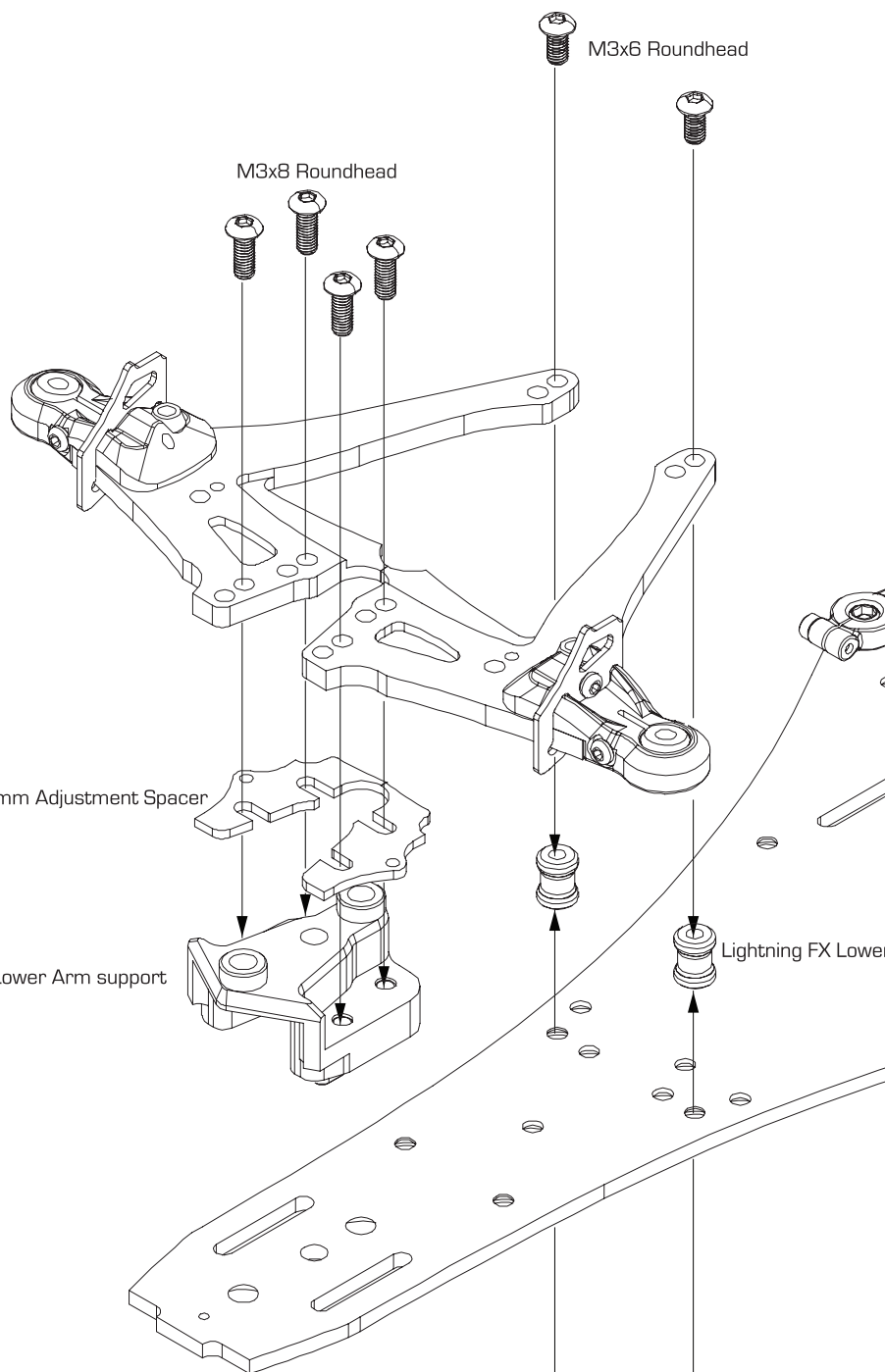
Flash04 King Pin B-02-VBC-1004 x 2



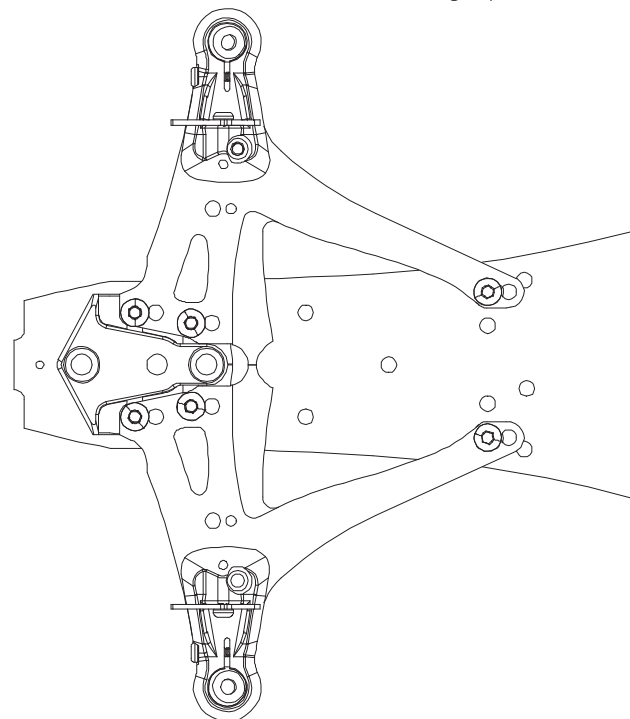
M3 E-Clip B-02-VBC-0044 x 2



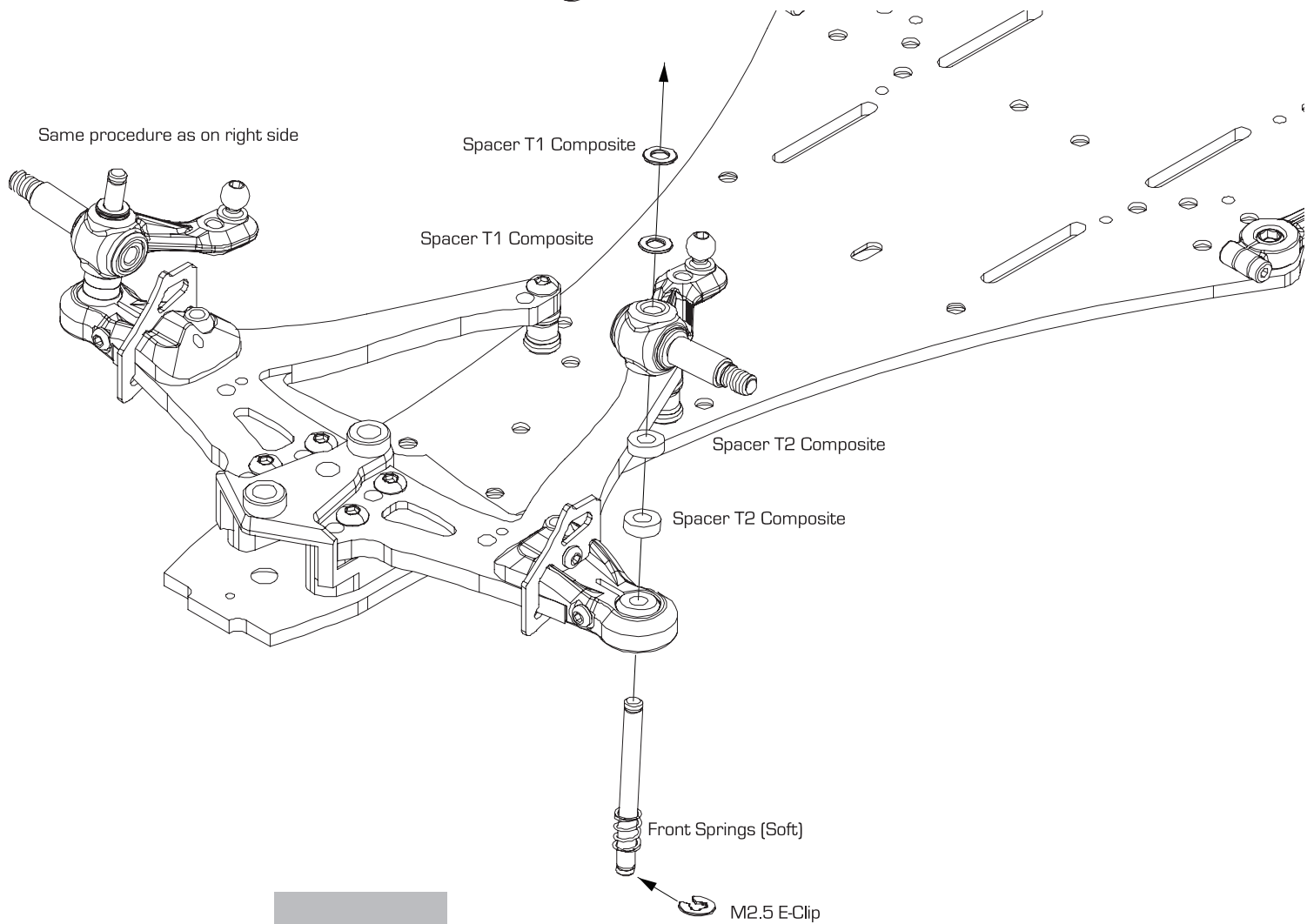
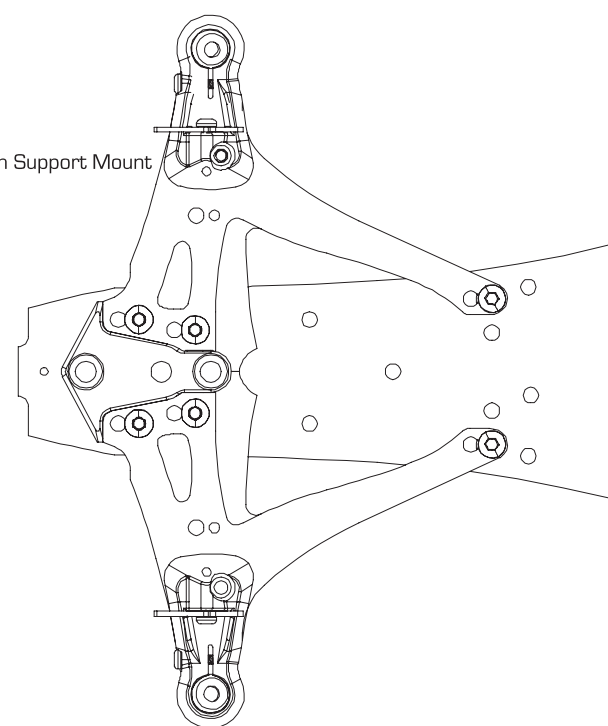
Front Springs (Soft) C-02-VBC-5041 x 2



Standard Wheel Base : Recommend For High Speed Tracks



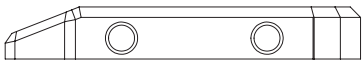
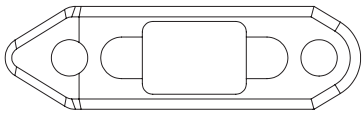
-4mm Wheel Base : Suitable for Technical Track



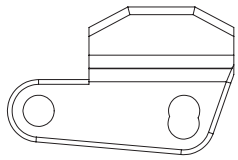
11

Installing Front Caster Mount

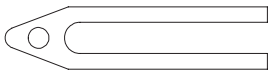
M3x8 Roundhead
M3x8 Roundhead C-02-SC-R0308 x 4



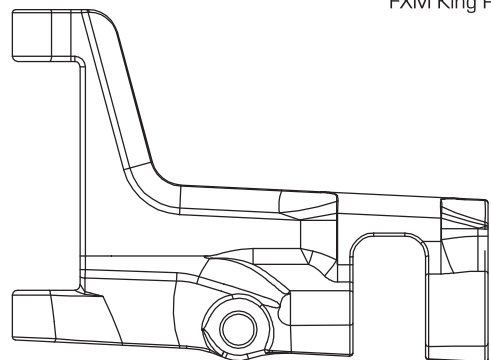
Lightning F Active Caster Mount Base B-02-P50784 x 1



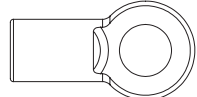
Lightning F Active Caster Mount B-02-P50785 x 2



Lightning F Active Caster Shim 2.5mm A-01-P50786 x 2



Flash04 Upper Arm A-03-VBC-1035 x 2



FXM Upper Arm Outer Cup A-03-P51285 x 2



FXM King Pin Upper Ball B-02-P51286 x 2



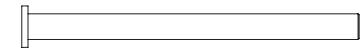
Super Steel Front Camber Link Turnbuckle C-02-P50790 x 2



2.6 x 5 x 1 Caster Spacer B-02-P50791 x 8



2.6 x 5 x 4 Wheelbase Spacer B-02-P50781 x 2



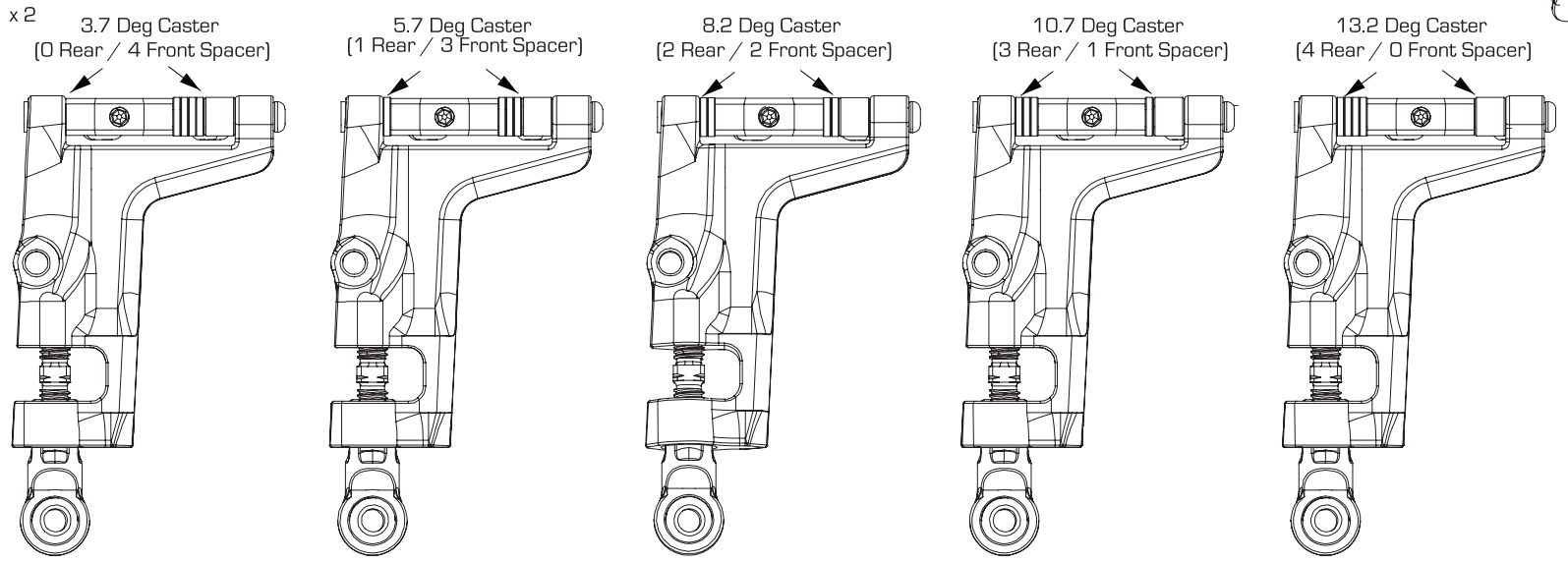
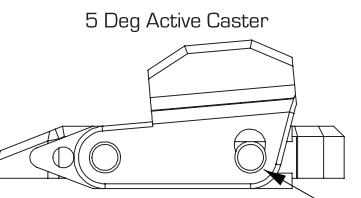
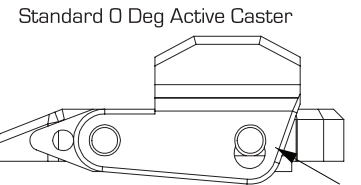
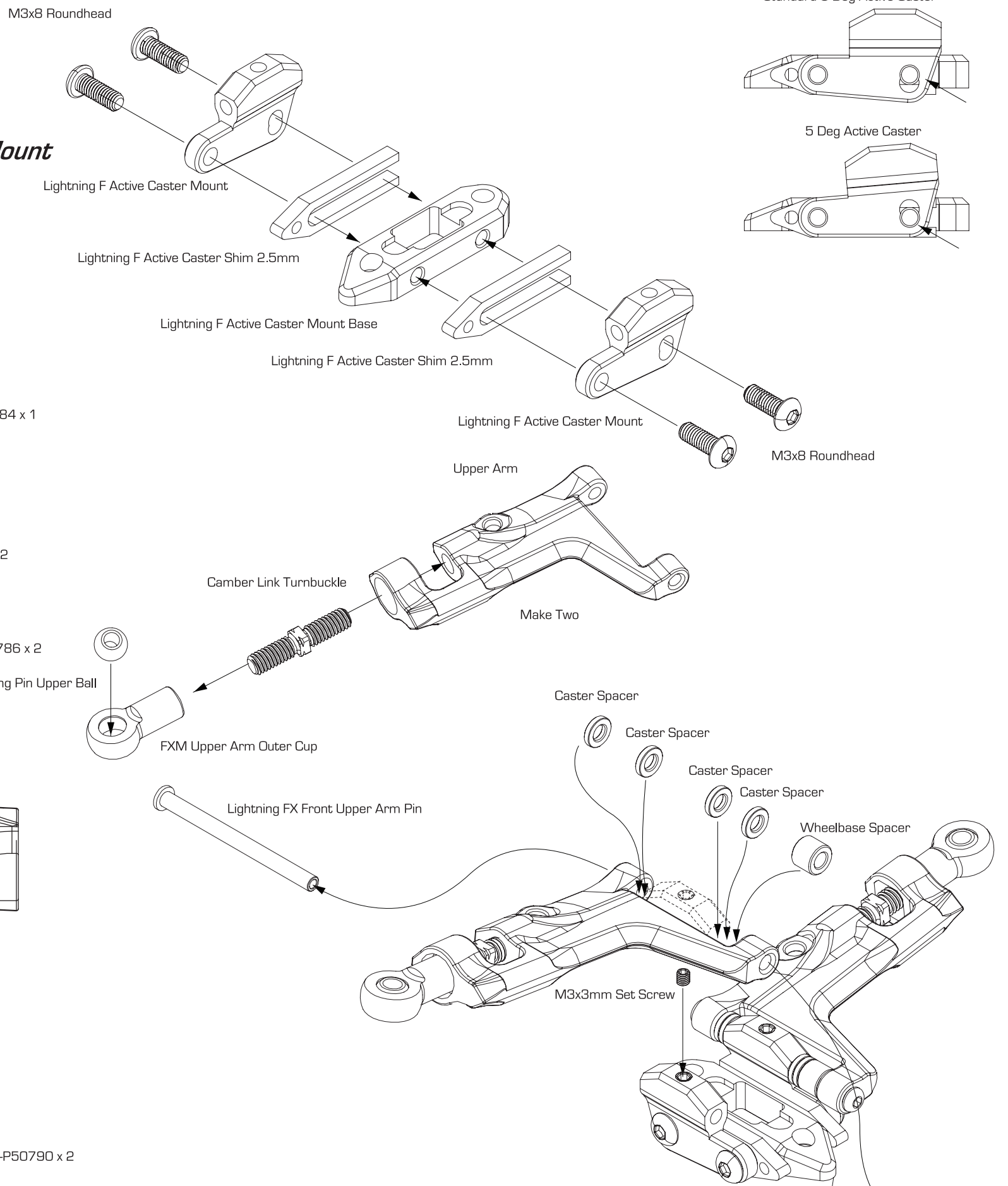
Lightning FX Front Upper Arm Pin C-02-P50787 x 2



M2x4 Roundhead Screw C-02-SC-R0204 x 2

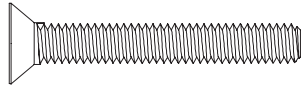


M3x3mm Set Screw C-02-SC-SS-0303 x 2



12

Installing Front Upper Arm



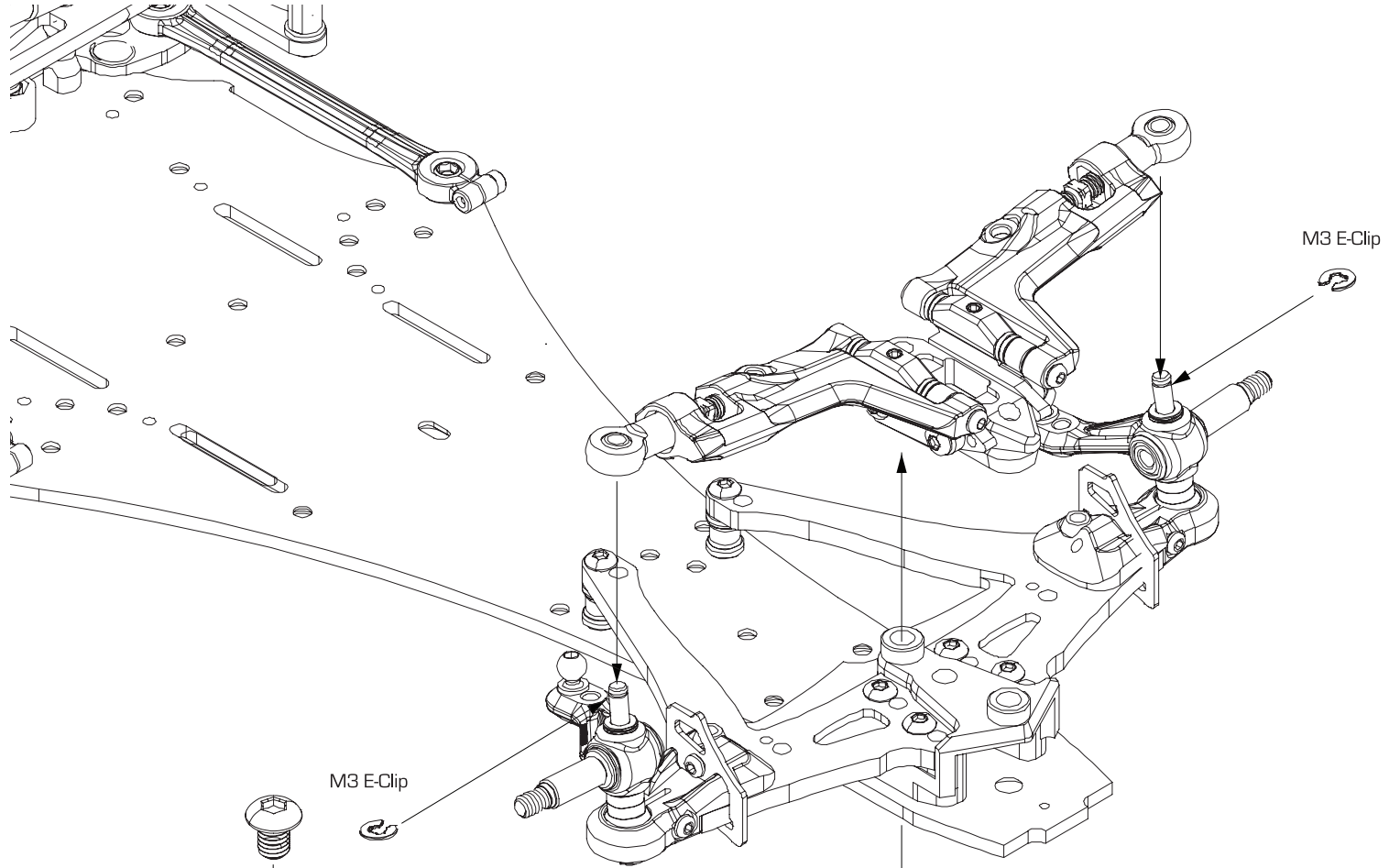
M4x28 Flathead Screw
C-02-SC-F0428 x 1



M3 E-Clip B-02-VBC-0044 x 2

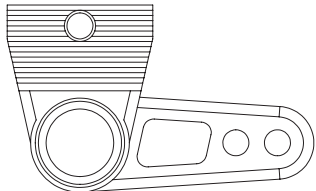


M3x3mm Set Screw C-02-SC-SS-0303 x 2

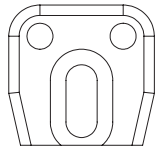


13

Installing Steering System



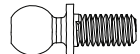
Lightning FX Steering Arm_A B-02-P50609 x 1



Lightning FX Steering Arm_B B-02-P50782 x 1



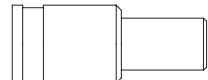
M3x4 Roundhead C-02-SC-R0304 x 1



Ball Connector 4.7x12mm
B-02-VBC-5015 x 3



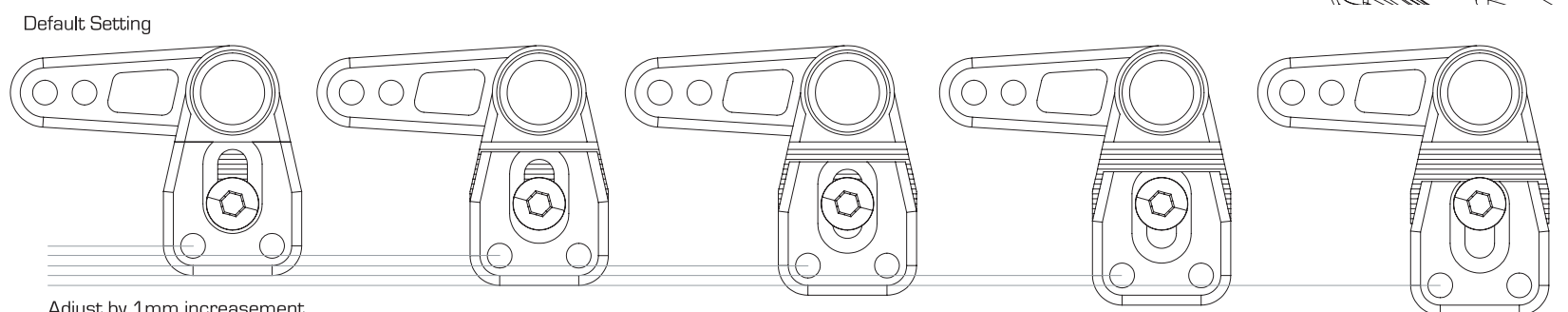
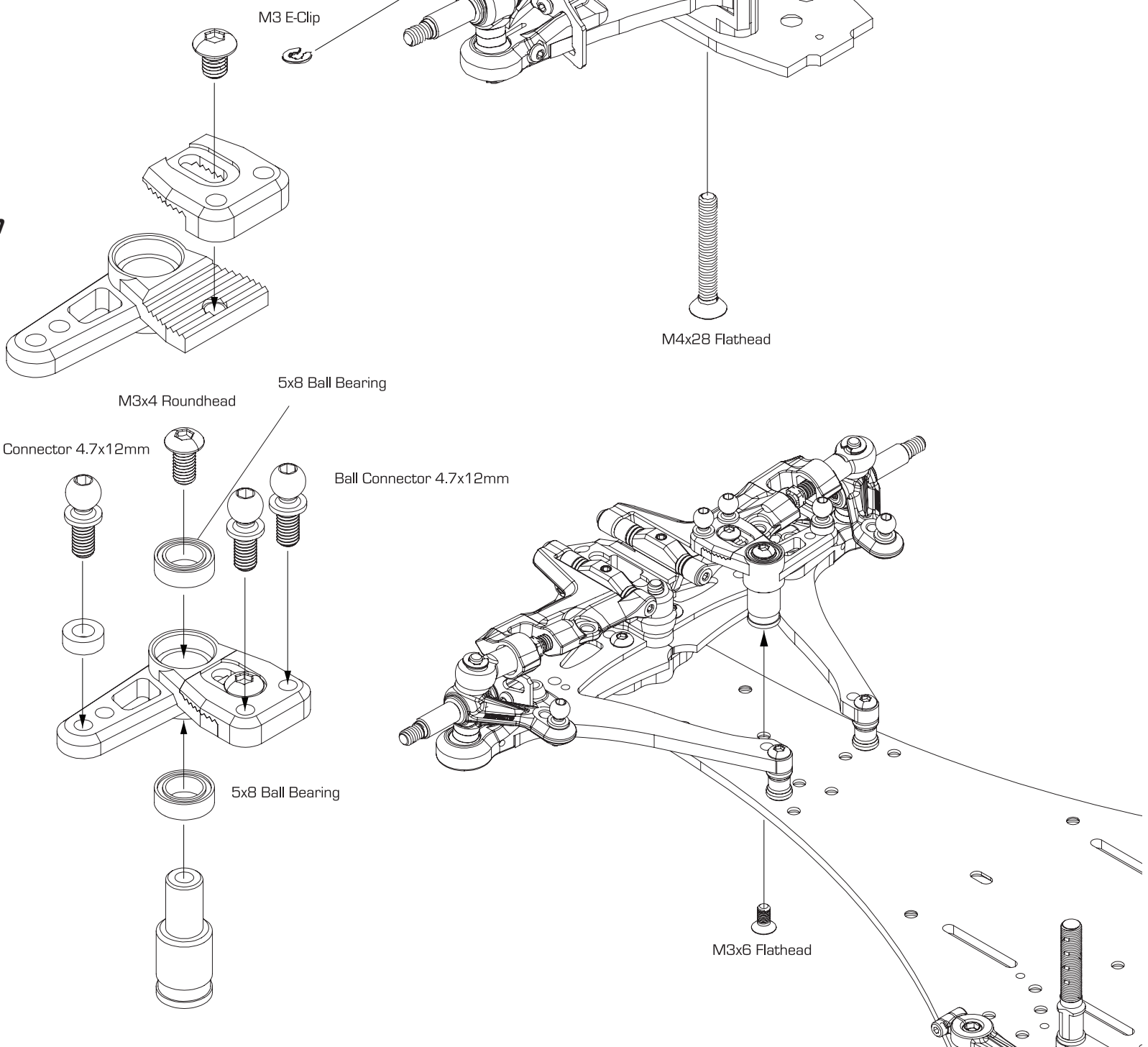
5x8 Ball Bearing C-02-BB-0805-B x 2



Lightning FX Steering Post B-02-P50627 x1

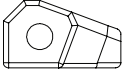


M3x6 Flathead Screw C-02-SC-F0306 x 1

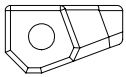


15

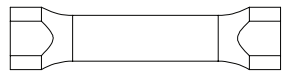
Install Battery



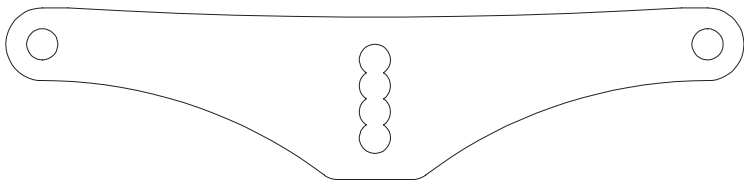
Firebolt Side Battery Stopper X A-03-VBC-6075 x 1



Firebolt Side Battery Stopper Y A-03-VBC-6076 x 1



LightningF Upper Deck Mount B-02-VBC-5096 x 2



Lightning FXM Upper Deck A01-P51301 x 1



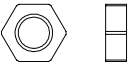
T2 7075 Spacer (Red) B-02-P30890 x 2



M3x6 Flathead Screw C-02-SC-F0306 x 2



M3x6 Roundhead C-02-SC-R0306 x 2



M3 Hex Nut C-02-SC-FN03 x 1

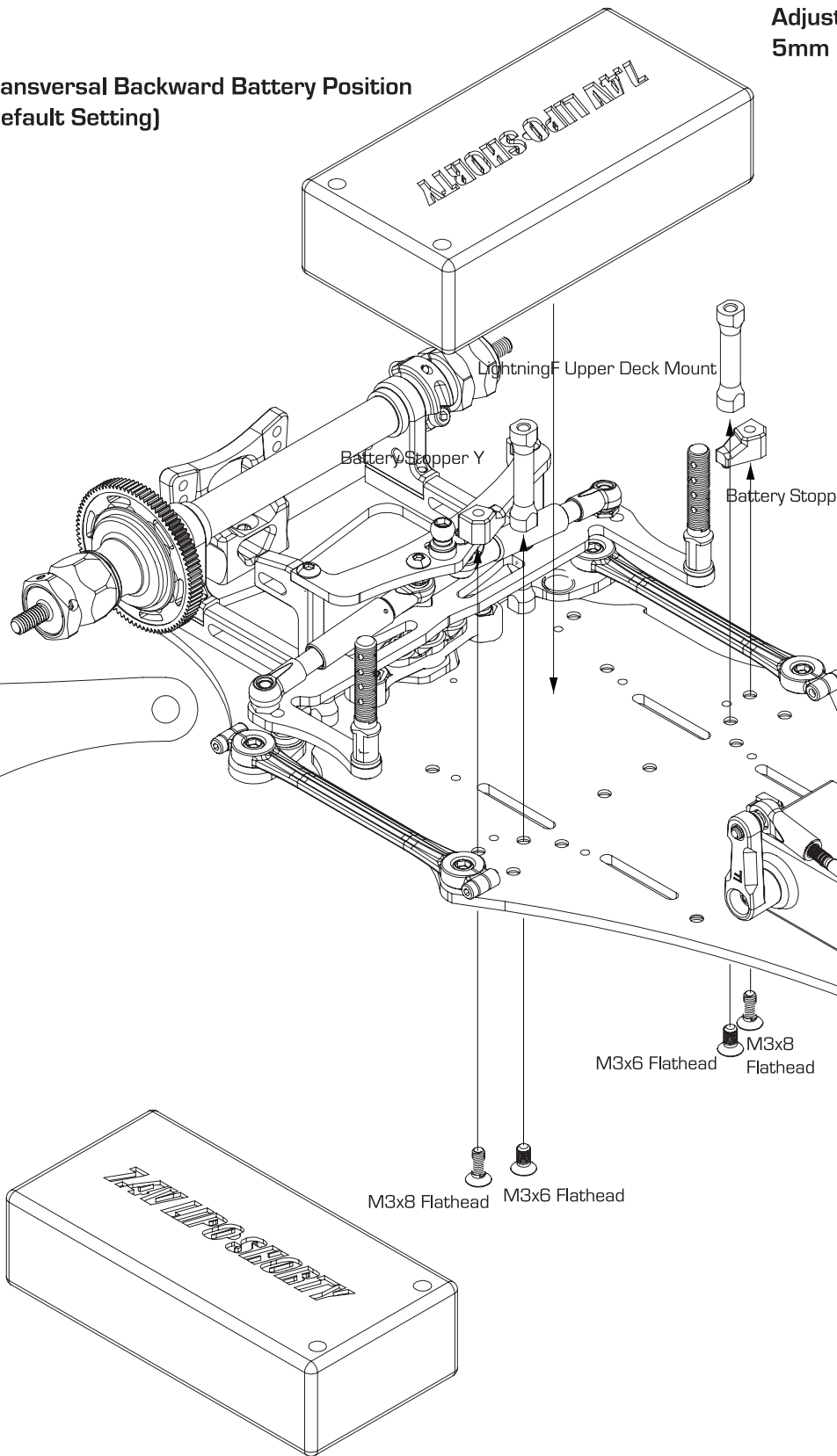


Ball Connector B-02-VBC-0045 x 1

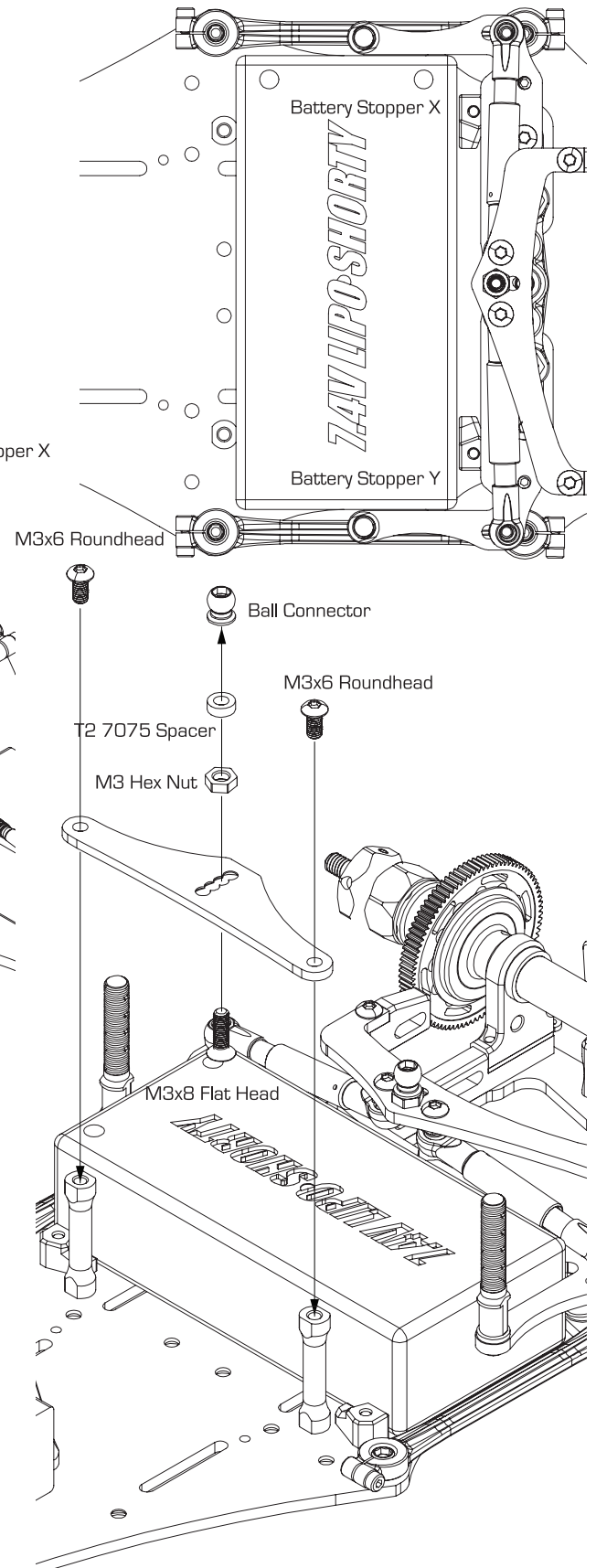


M3x8 Flat Head Screw C-02-SC-F0308 x 3

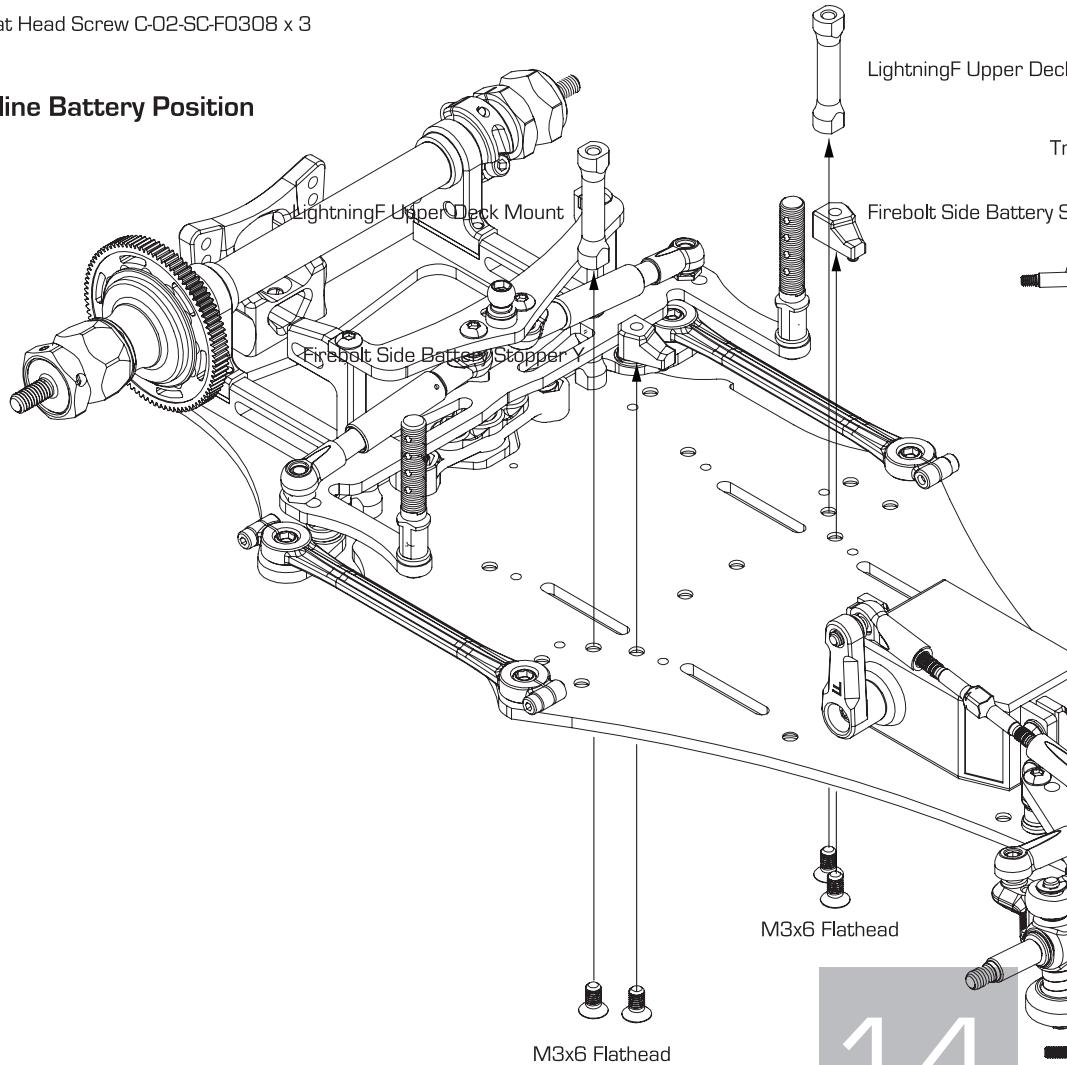
Transversal Backward Battery Position (Default Setting)



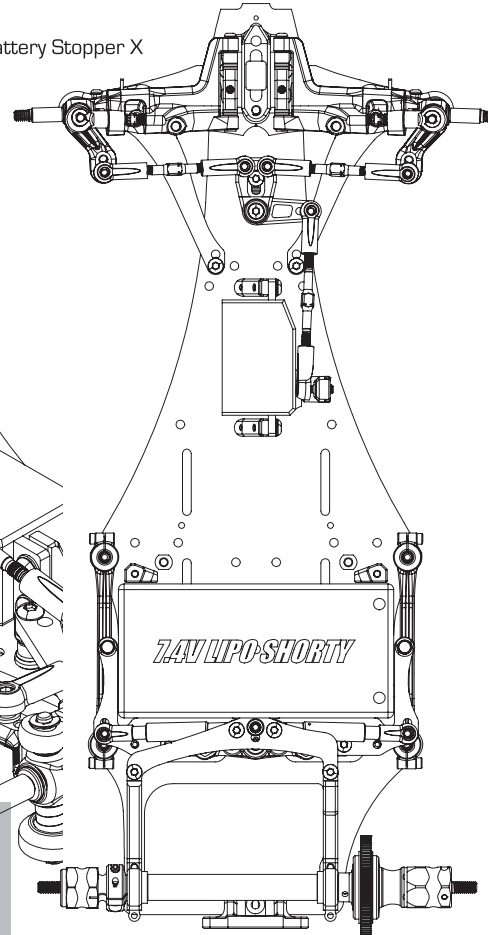
Adjustable Battery Position Transversal 5mm Forward Battery Position



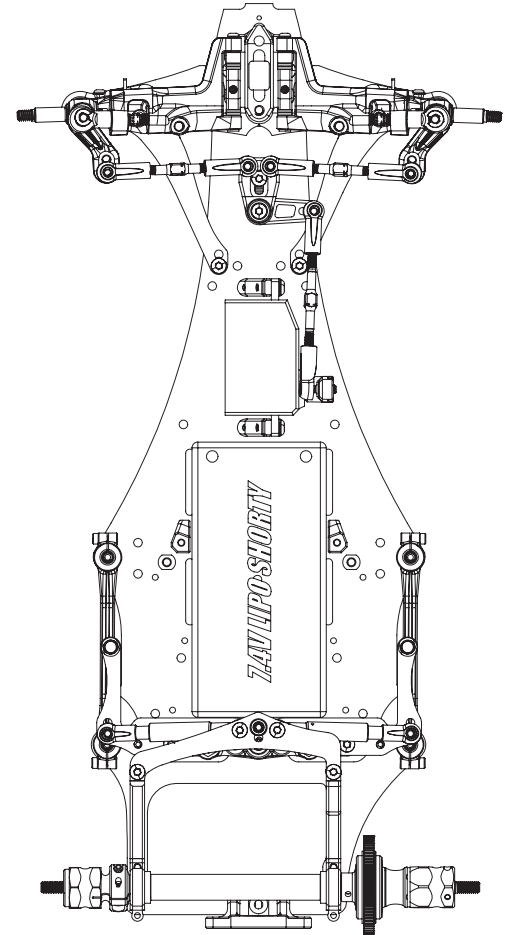
Inline Battery Position



Transversal Battery Position (Default Setting)

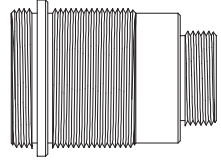


Inline Battery Position

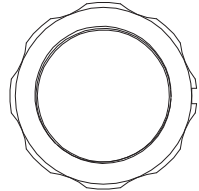


16

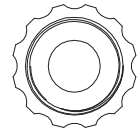
Shock Assembly



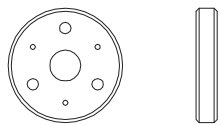
TBB Shock Body B-02-VBC-0120 x 1



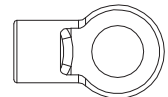
TBB Shock Height Adjuster B-02-VBC-0121 x 1



TBB Shock Bottom Cap A-03-VBC-0122 x 1



TBB Shock Piston (3 holes) A-03-VBC-0123 x 1



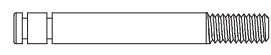
TBB Shock Bottom Connector A-03-VBC-0124 x 1



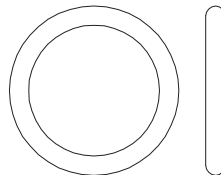
TBB Shaft Cap B-03-VBC-0125 x 1



TBB Shaft Guide A-03-VBC-0126 x 1



TBB Shock Shaft B-03-VBC-0127 x 1



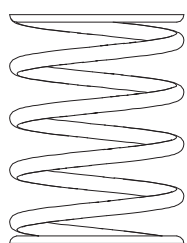
Sealer O-Ring (Shock Height Adjuster) B-03-VBC-0128 x 1



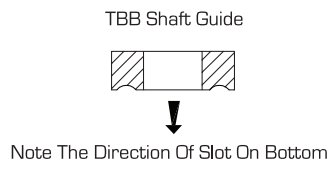
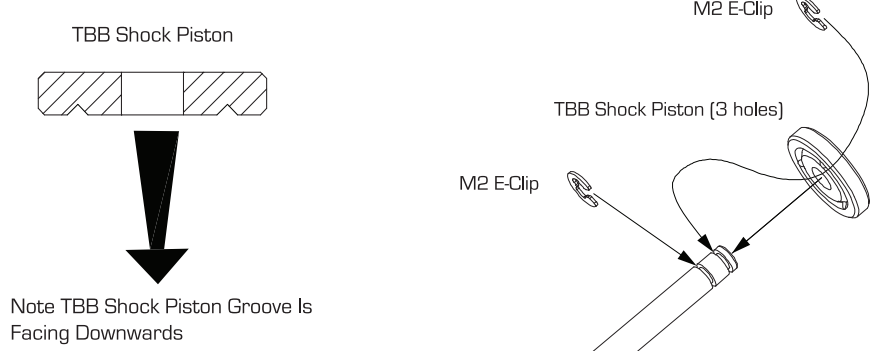
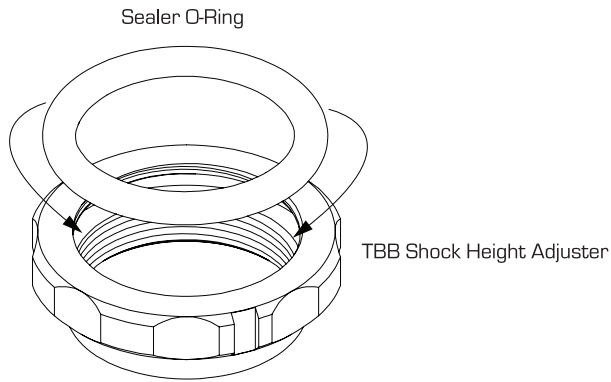
Shaft Sealer O-Ring B-03-VBC-0012 x 1



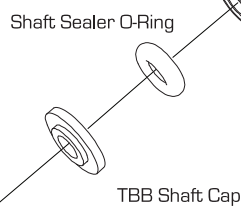
M2 E-Clip B-02-VBC-0129 x 2



TBB Shock Spring Red-Med Soft B-02-VBC-0134 x 1

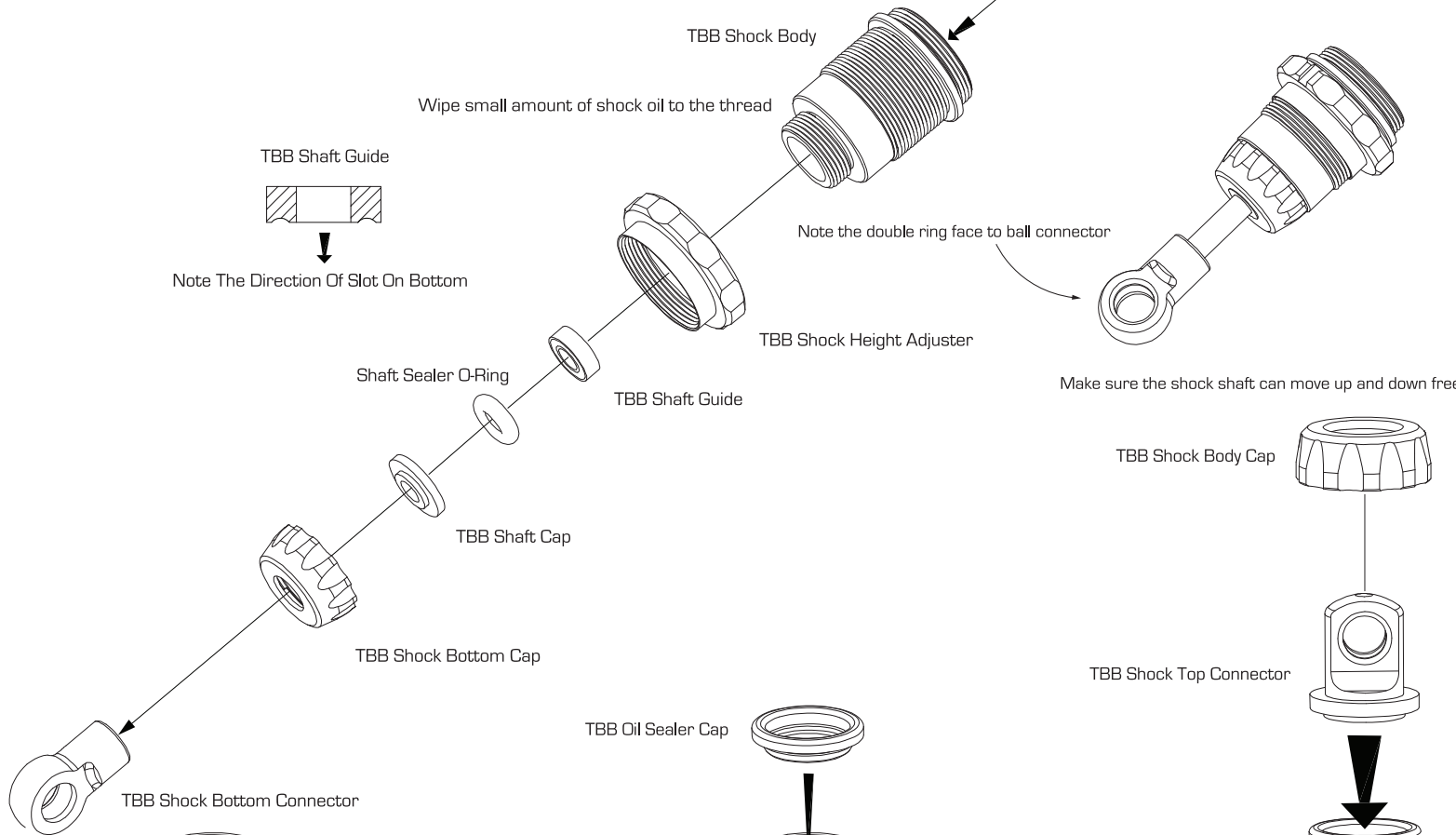


Wipe small amount of shock oil to the thread



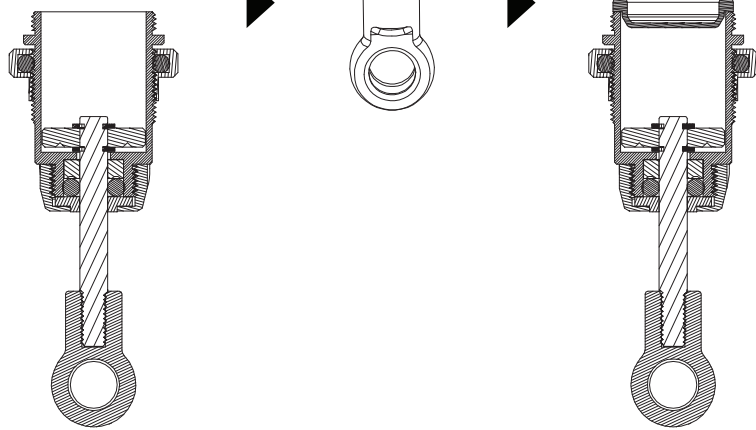
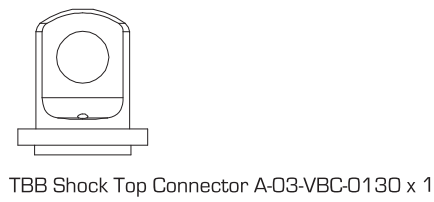
Note the double ring face to ball connector

Make sure the shock shaft can move up and down freely



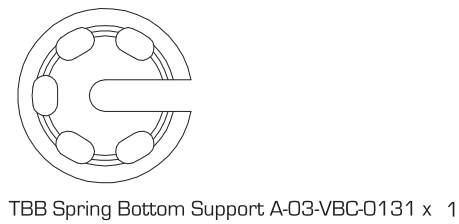
Fill supplied shock oil and remove air by moving the piston up and down until air bubbles disappears

When placing Oil Sealer Cap make sure no bubbles are trap inside the shock body

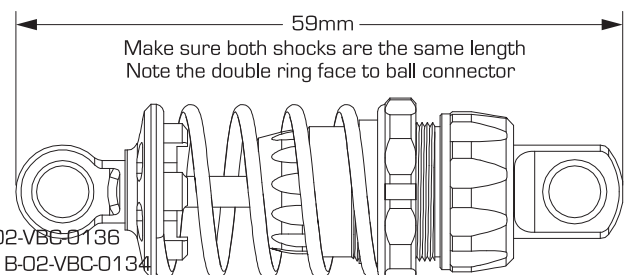


TBB Spring Bottom Support

Note the double ring face to ball connector



Shock Spring Orange (For Front)
Shock Spring Red (For Rear)

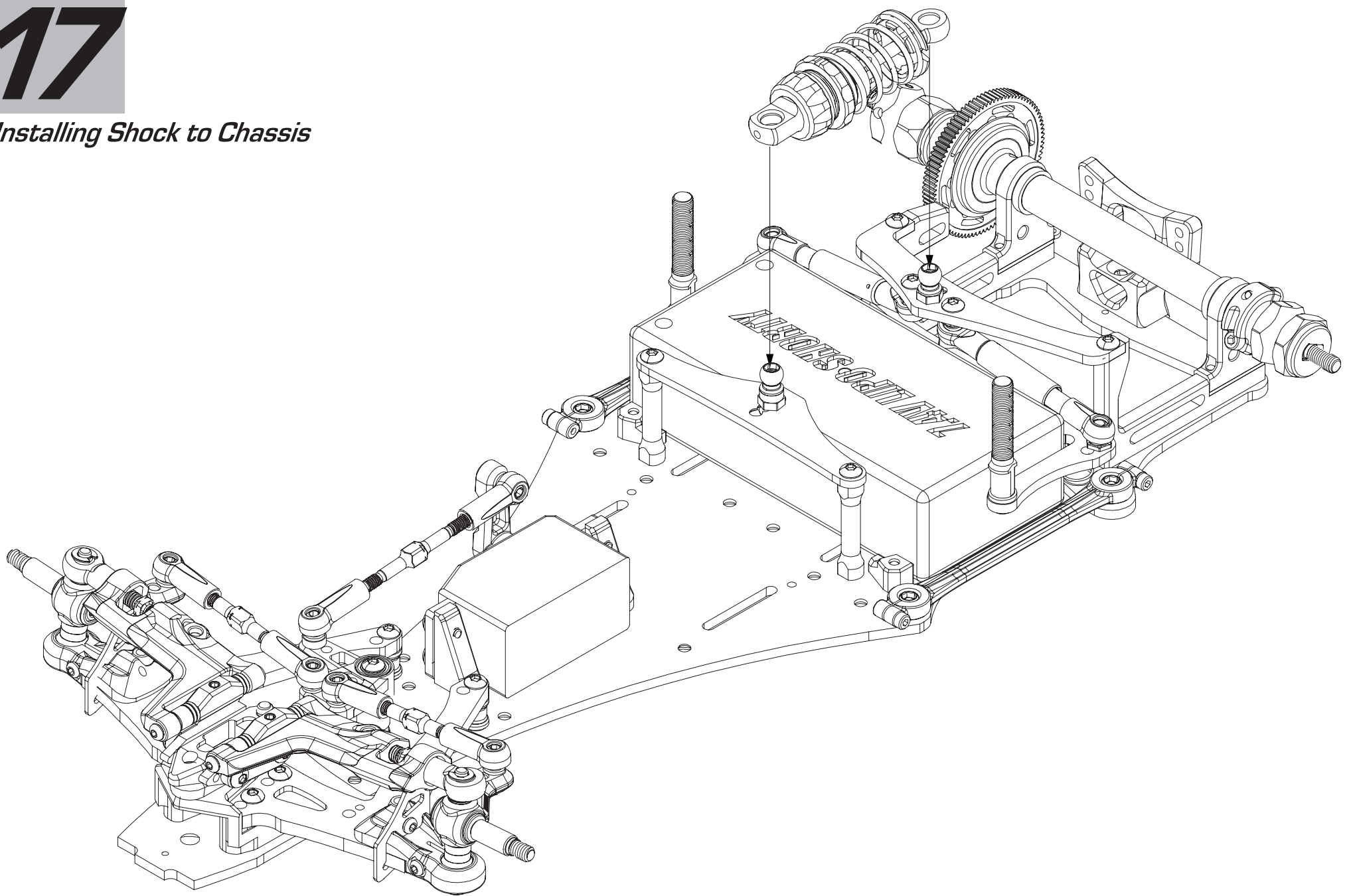


15

VBC Racing TBB Shock Springs:
 TBB Shock Spring (Green - Soft) B-02-VBC-0136
 TBB Shock Spring (Red - Med. Soft) B-02-VBC-0134
 TBB Shock Spring (Orange - Med. Hard) B-02-VBC-0135
 TBB Shock Spring (White - Hard) B-02-VBC-0137

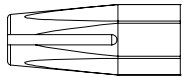
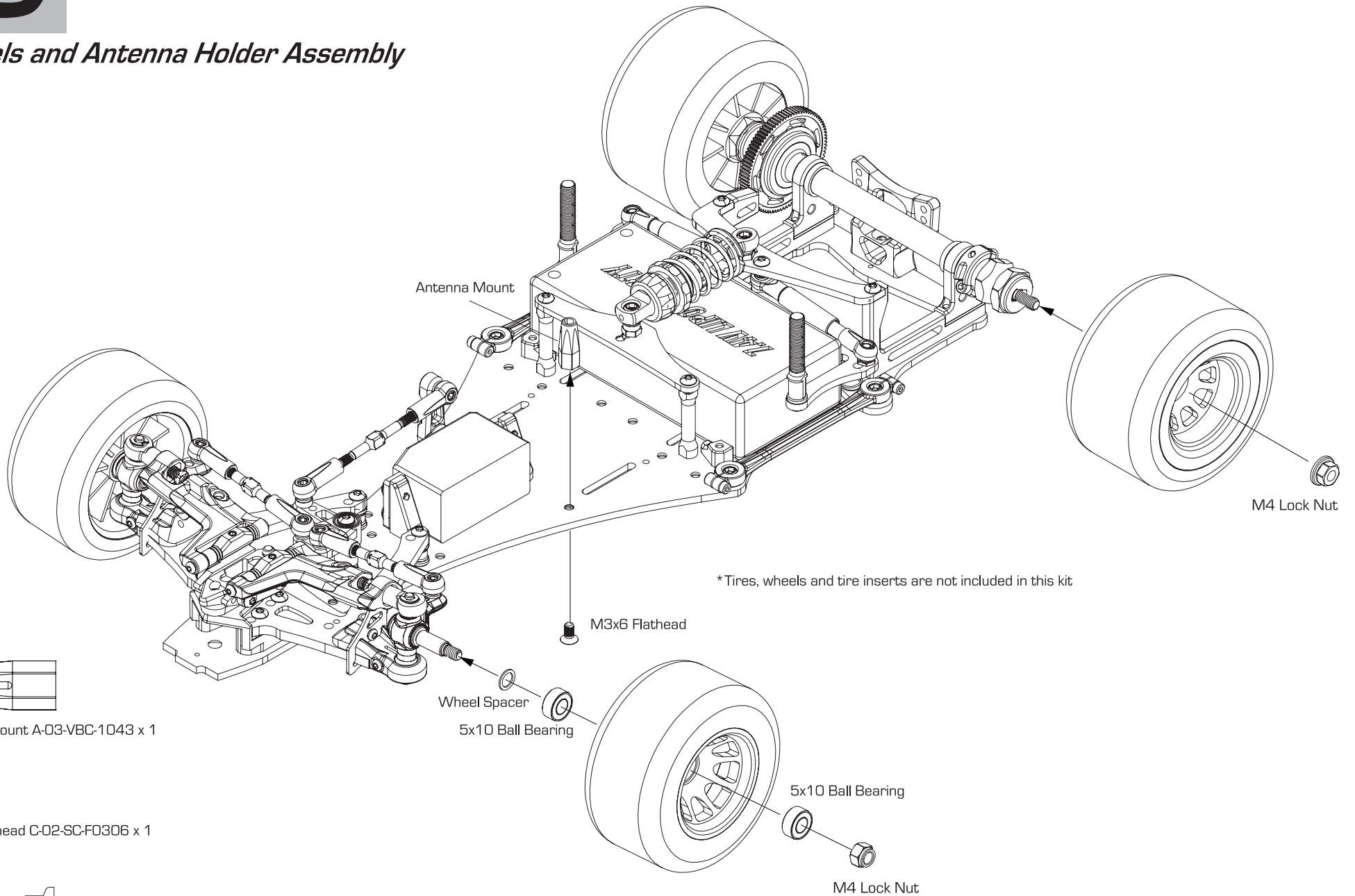
17

Installing Shock to Chassis



18

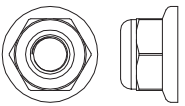
Wheels and Antenna Holder Assembly



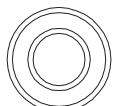
Antenna Mount A-03-VBC-1043 x 1



M3x6 Flathead C-02-SC-F0306 x 1



M4 Flanged Wheel Nut B-02-VBC-0086 x 2



5x10 Ball Bearing C-02-BB-1005-B x 4



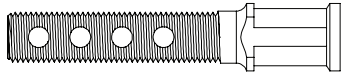
Wheel Spacer B-02-VBC-0019-575 x 2



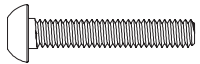
M4 Lock Nut C-02-P51098 x 2

19

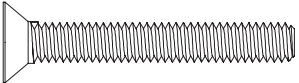
Front and Rear Wings Assembly



Lightning Body Post A-03-VBC-5010 x 1



M3x16 Roundhead C-02-SC-R0306 x 2

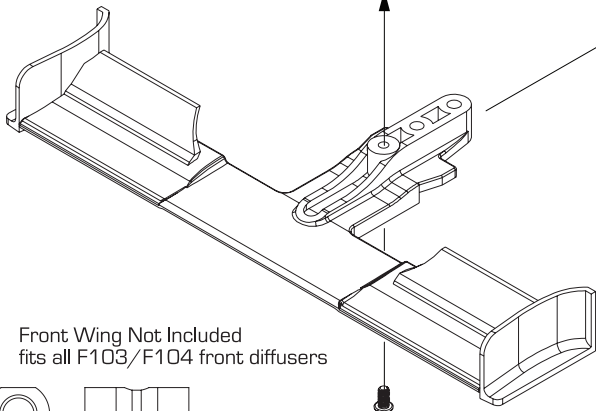


M4x28 Flathead Screw C-02-SC-FD428 x 1

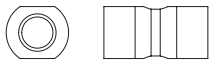


M3x6 Roundhead C-02-SC-R0306 x 1

Lightning Body Post



Front Wing Not Included fits all F103/F104 front diffusers



M3x6 Roundhead
FXM Rear Wing Mount B-02-P51287 x 2

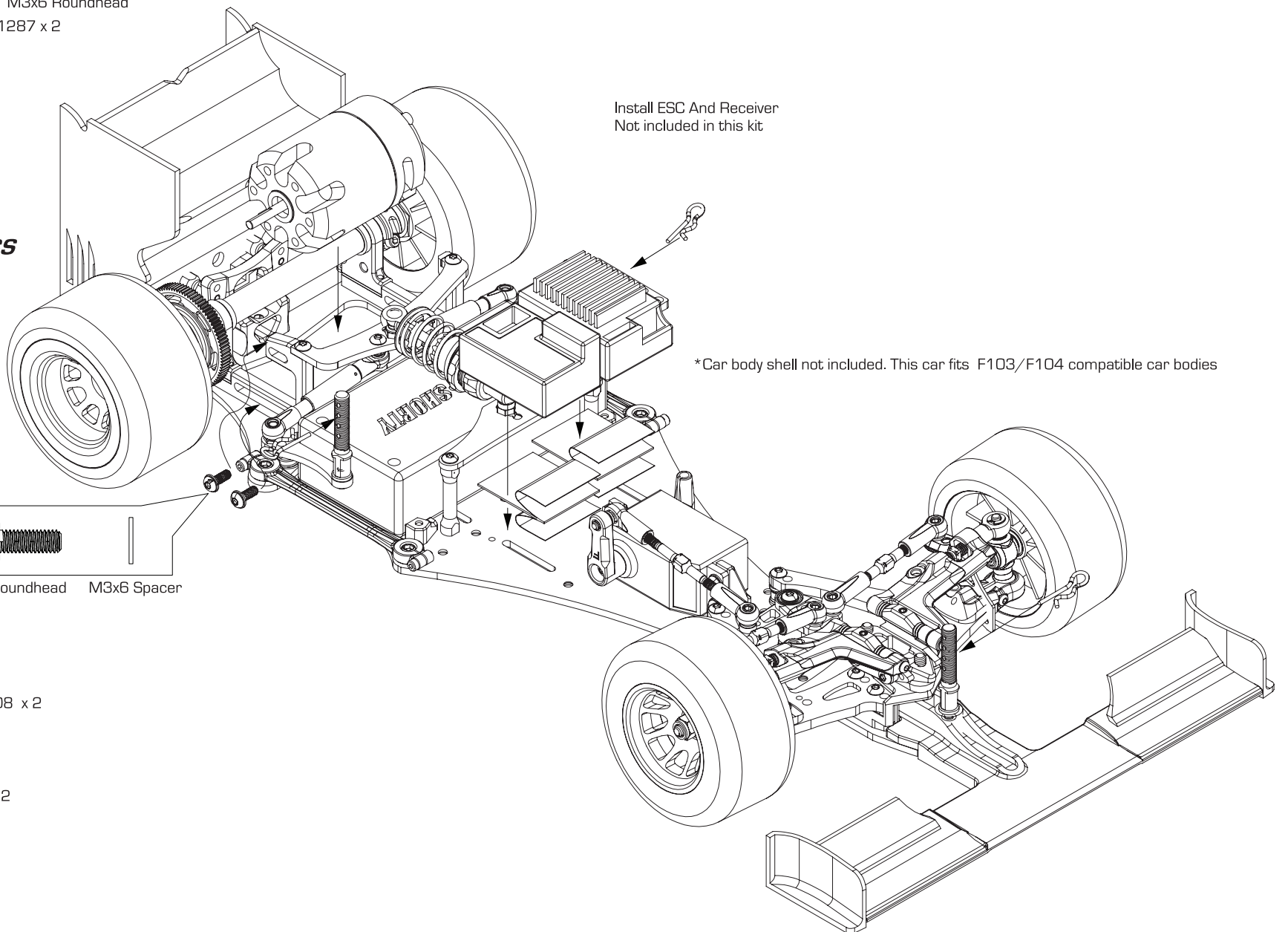
M4x28 Flathead

Rear Wing Not Included fits all F103/F104 rear diffusers

FXM Rear Wing Mount

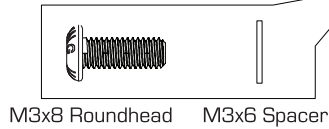
M3x16 Roundhead

Install Electronics



Install ESC And Receiver Not included in this kit

*Car body shell not included. This car fits F103/F104 compatible car bodies



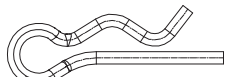
M3x8 Roundhead M3x6 Spacer



M3x8 Roundhead C-02-SC-R0308 x 2



M3x6 Spacer B-02-VBC-5093 x 2

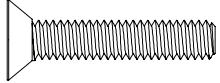


Body Clip B-02-VBC-0076 x 3

Installation For Lightning F Front End Conversion (Not Included)
D-05-VBC-0251



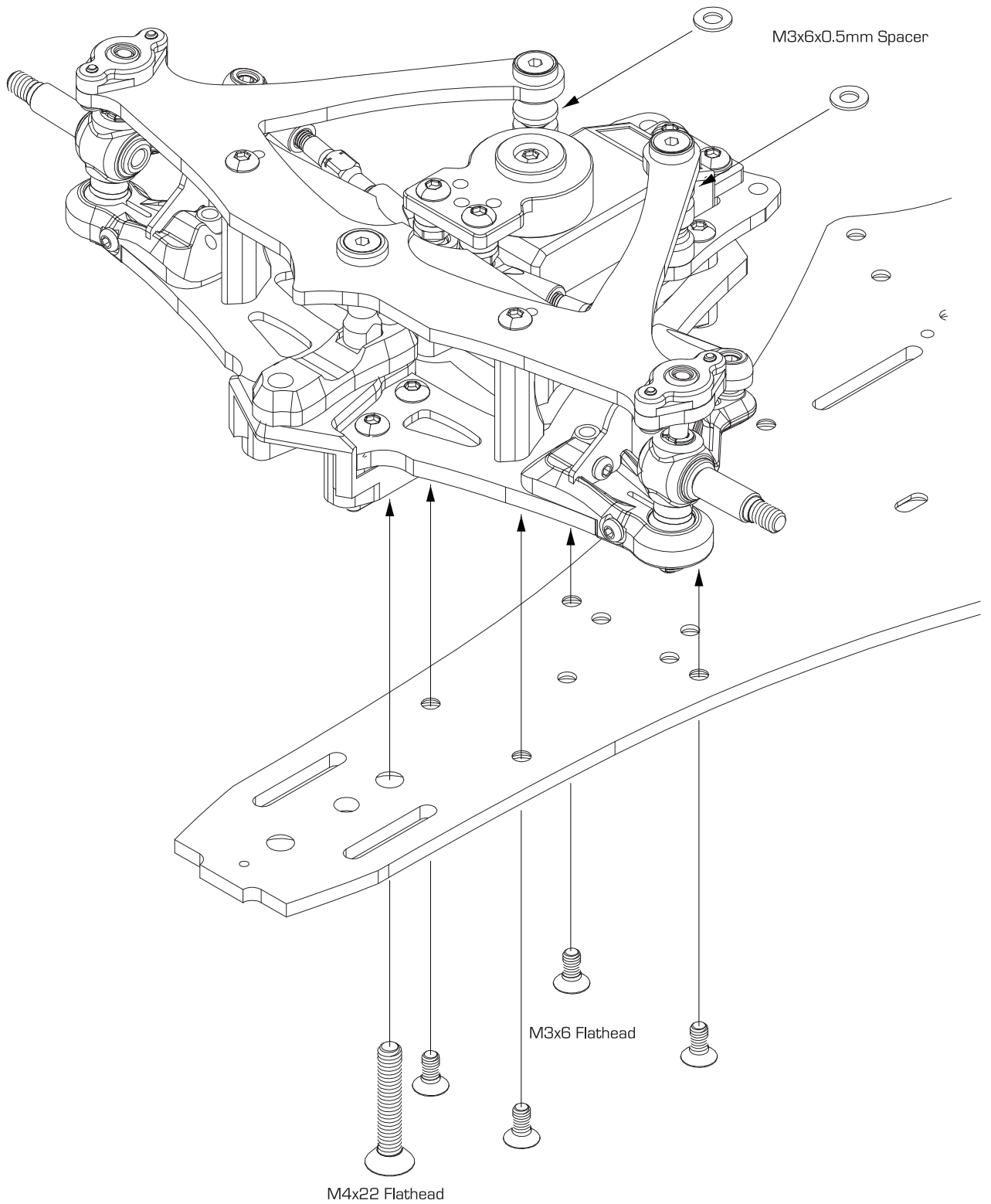
M3x6x0.5mm Spacer B-02-VBC-5093 x 2 Original Lightning F Parts



M4x22 Flathead Screw C-02-SC-F0422 x 1 Original Lightning F Parts



M3x6 Flathead Screw C-02-SC-F0306 x 4 Original Lightning F Parts





COMPETITION GRADE HIGH PERFORMANCE RADIO CONTROL RACING CAR CHASSIS KIT

LIGHTNINGFXM

1/10 SCALE ELECTRIC COMPETITION FORMULA CAR KIT

Instruction Book P01-P51302 VBC Racing Lightning FXM Car Kit D-05-VBC-CK23

PARTS LIST



FOR ONLINE ORDERS, PLEASE VISIT OUR WEBSITE WWW.VBCRACING.COM OR VISIT YOUR NEAREST HOBBY STORE. PLEASE VISIT OUR WEBSITE FOR THE LATEST VBC WILDFIRE OPTION PARTS.

Order Number	Package Descriptions	Parts Number	Parts Descriptions
A-01-P-51204	LightningFXM Main Chassis	A01P51204	LightningFXM Main Chassis
A-01-P-51183	LightningFXM Lower Pod Plate	A01P51183	LightningFXM Lower Pod Plate
B-02-VBC-0045	Ball Connector	B-02-VBC-0045	Ball Connector
A-01-P51198	Lightning FXM Upper Pod Plate	A01P51198	Lightning FXM Upper Pod Plate
A-01-P-50606	LightningFX Front Graphite Lower Arm, R	A01P50606	LightningFX Front Graphite Lower Arm, R
A-01-P-50605	LightningFX Front Graphite Lower Arm, L	A01P50605	LightningFX Front Graphite Lower Arm, L
B-02-VBC-1004	King Pin	B-02-VBC-1004	King pin
B-02-P-50607	LightningFX Lower Arm Support Mount	B02P50607	LightningFX Lower Arm Support Mount
D-05-VBC-0251	Upper Arm Set V2	A-03-P51285	FXM Upper Arm Outer Cup
		A-03-VBC-1035	Upper Arm
C-02-P-50790	Hardened Stainless Front Camber Link Turnbuckle	C02P50790	Hardened Stainless Front Camber Link Turnbuckle
D-05-VBC-0206	LightningFX Steering Arm A&B	B02P50609	LightningFX Steering Arm_A
		B02P50782	LightningFX Steering Arm_B
D-06-VBC-0123	Firebolt Bumper & Battery Stopper Set	A-03-VBC-6011	Front Bumper
		A-03-VBC-6012	Rear Bumper
		A-03-VBC-6074	Firebolt Center Battery Stopper
		A-03-VBC-6075	Firebolt Side Battery Stopper X
		A-03-VBC-6076	Firebolt Side Battery Stopper Y
B-02-P-50627	LightningFX Steering Post	B02P50627	Lightning F V2 Steering Post
B-02-P51286	FXM King Pin Upper Ball	B-02-P51286	FXM King Pin Upper Ball
D-05-VBC-0018	WildFire Servo Horn Set (Composite)	A-03-VBC-0053	Servo Horn Type F (Composite)
		A-03-VBC-0054	Servo Horn Type A (Composite)
		A-03-VBC-0032	Servo Spacer 1mm
		A-03-VBC-0033	Servo Spacer 2mm
A-01-P-50786	LightningFX Active Caster Shim 2.5mm	A01P50786	LightningFX Active Caster Shim 2.5mm
A-01-P-51301	LightningFXM Upper Deck	A01P51301	LightningFXM Upper Deck
B-02-P-50262	Alum Servo Mount	B-02-P-50262	Alum Servo Mount
D-05-VBC-0203	Caster Spacer set	B02P50791	2.6 x 5 x 1 Caster Spacer
		B02P50781	2.6 x 5 x 4 Wheelbase Spacer
B-02-P-50784	LightningFX Active Caster Mount Base	B02P50784	LightningFX Active Caster Mount Base
B-02-P-50785	LightningFX Active Caster Mount	B02P50785	LightningFX Active Caster Mount
C-02-P-50787	LightningFX Front Upper Arm Pin	C02P50787	LightningFX Front Upper Arm Pin
B-02-VBC-5014	42mm Turnbuckle BK for Lightning/Assoc.R5 series	B-02-VBC-5014	42mm Turnbuckle, Black
D-05-VBC-0252	True Big Bore (TBB) Single Shock Set	B-02-VBC-0120	TBB Shock Body
		B-02-VBC-0121	TBB Shock Height Adjuster
		A-03-VBC-0122	TBB Bottom Cap
		A-03-VBC-0123	TBB Shock Piston (3 holes)
		A-03-VBC-0124	TBB Shock Bottom Connector
		B-02-VBC-0125	TBB Shaft Cap
		A-03-VBC-0126	TBB Shaft Guide
		B-03-VBC-0127	TBB Shock Shaft
		B-03-VBC-0128	TBB Sealer O-Ring (Shock Height Adjuster)
		B-03-VBC-0012	TBB Shaft Sealer O-Ring
		B-03-VBC-0129	M2 E-Clip
		A-03-VBC-0130	TBB Shock Top Connector
		A-03-VBC-0131	TBB Spring Bottom Support
		B-03-VBC-0132	TBB Short Oil Sealer Cap (Medium Soft)
B-02-VBC-0133	TBB Shock Body Cap		
B-02-VBC-0134	TBB Shock Spring (Red-Medium Soft)		
B-03-VBC-0012	Shaft Sealer O-Ring	B-03-VBC-0012	Shaft Sealer O-Ring
B-03-VBC-0127	TBB Shock Shaft	B-03-VBC-0127	TBB Shock Shaft
A-03-VBC-1043	Antenna Mount	A-03-VBC-1043	Antenna Mount
B-02-VBC-5096	LightningF Upper Deck Support Mount	B-02-VBC-5096	LightningF Upper Deck Support Mount
B-02-VBC-5020	4.7mm Ball Nuts	B-02-VBC-5020	4.7mm Ball Nuts
B-02-P51288	4.7mm Thin Ball Nuts	B02P51288	4.7mm Thin Ball Nuts
D-05-VBC-0101	Pivot Brace for Lightning/Assoc.R5 series	A-03-VBC-5007	Pivot Brace (bottom)
		A-03-VBC-5008	Pivot Brace (cover)

PARTS LIST



FOR ONLINE ORDERS, PLEASE VISIT OUR WEBSITE WWW.VBCRACING.COM OR VISIT YOUR NEAREST HOBBY STORE. PLEASE VISIT OUR WEBSITE FOR THE LATEST VBC WILDFIRE OPTION PARTS.

Order Number	Package Descriptions	Parts Number	Parts Descriptions
A-03-VBC-5009	Pod Link Set for Lightning/Assoc.R5 series	A-03-VBC-5009	Pod Link Set for Lightning/Assoc.R5 series
A-03-VBC-1027	Pivot Balls for Lightning/Assoc.R5 series	A-03-VBC-1027	Pivot Balls for Lightning/Assoc.R5 series
D-05-VBC-0207	Body Posts set	A-03-VBC-5010	Body Post
		B-02-VBC-0076	Body Clips
B-02-VBC-0076	Body Clips	B-02-VBC-0076	Body Clips
B-02-VBC-5102	32mm Turnbuckle	B-02-VBC-5102	32mm Turnbuckle
B-02-VBC-5015	Ball Connector 4.7x12mm (5pcs)	B-02-VBC-5015	Ball Connector 4.7x12mm (5pcs)
A-03-VBC-5016	Turnbuckle Cup (Long)	A-03-VBC-5016	Turnbuckle Cup (Long)
D-05-VBC-0253	Damper Tube Set	B02P51201	LightningFXM Damper Tube Shaft
		B02P51200	LightningFXM Damper Tube
A-03-VBC-5021	Turnbuckle Cup (Short)	A-03-VBC-5021	Turnbuckle Cup (Short)
A-03-P-50832	Steering Knuckle	A-03-P-50832	Steering Knuckle
B-02-VBC-5073	14mm Aluminum Standoff	B-02-VBC-5073	14mm Aluminum Standoff
D-05-VBC-0208	Wheel Shaft Set	B-02-VBC-1002	Front Wheel Shaft
		C-02-P-50830	3x7x0.5 spacer
		C-02-SC-R0304	M3x4 Roundhead Screw
A-03-VBC-1033	Lower Arm support	A-03-VBC-1033	Lower arm support
D-05-VBC-1006	Lower Arm Pivot Ball Mount	A-03-VBC-1039	Front Lower Arm Pivot Ball Mount (Left)
		A-03-VBC-1040	Front Lower Arm Pivot Ball Mount (Right)
A-03-VBC-1022	Front Lower Arm Pivot Ball	A-03-VBC-1022	Front Lower Arm Pivot Ball
A-01-P51290	Steering Limiter V3	A01P51290	Steering Limiter V3
D-05-VBC-1018	Front Ride Height 1.5mm Adjustment Spacer	D-05-VBC-1018	Front Ride Height 1.5mm Adjustment Spacer
A-01-P51199	Lightning FXM Rear Chassis Brace	A01P51199	Lightning FXM Rear Chassis Brace
A-03-VBC-1047	Side Spring Set (Black, Gold, Silver)	A-03-VBC-1047	Side Spring Set (Black, Gold, Silver)
B-02-VBC-5074	Alum Side Spring Retainer for Lightning/Assoc.R5 series	B-02-VBC-5074	Alum Side Spring Retainer for Lightning/Assoc.R5 series
C-02-VBC-5076	Bevelled Washer	C-02-VBC-5076	Bevelled Washer
G-02-P51282	AXON Spur Gear DTS 64P88T	G-02-P51282	AXON Spur Gear DTS 64P88T
D-05-VBC-0124	LightningF Rear Axle	C-02-VBC-5119	LightningF Rear Axle
		C-02-VBC-5120	Shaft Diff Ring Holder
		C-02-VBC-5121	2x9.8mm Shaft Pin
A-03-VBC-1049	M2x14 Shaft Pin	A-03-VBC-1049	M2x14 Shaft Pin
D-05-VBC-0125	LightningF Al7075 Wheel Hub, Left	B-02-VBC-5122	Aluminum Wheel Hub, Left
		C-02-SC-R2508	M2.5x8mm Cap Head Screw
B-02-VBC-5124	LightningF Al7075 Diff Cap	B-02-VBC-5124	Aluminum Diff Cap
B-02-VBC-5125	Thrust Washer	B-02-VBC-5125	Thrust Washer
C-02-DB-0801S	1/8" Diff Balls for Lightning/Assoc.R5 series	C-02-DB-0801S	1/8" Diff Balls
B-02-VBC-1001	Diff D Ring	B-02-VBC-1001	Diff D Ring
C-02-VBC-5036	M1.0x7.5 O-ring	C-02-VBC-5036	M1.0x7.5 O-ring
B-02-VBC-5082	Diff Seal O-ring	B-02-VBC-5082	Diff Seal O-ring
B-02-VBC-0044	M3 E-Clips	B-02-VBC-0044	M3 E-Clips
B-02-VBC-5093	M3x6x0.5 Spacer	B-02-VBC-5093	M3x6x0.5 Spacer

PARTS LIST



FOR ONLINE ORDERS, PLEASE VISIT OUR WEBSITE WWW.VBCRACING.COM OR VISIT YOUR NEAREST HOBBY STORE. PLEASE VISIT OUR WEBSITE FOR THE LATEST VBC WILDFIRE OPTION PARTS.

Order Number	Package Descriptions	Parts Number	Parts Descriptions
D-05-VBC-0254	LightningFXM Ball Differential Set	C-02-BB-3814F	Bearing, 3/8 x 1/4, Flanged for Lightning/ Assoc.R5 series
		C-02-BB-3814	Bearing, 3/8 x 1/4 for Lightning/ Assoc.R5 series
		C-02-BB-1105	5x11 Ball Bearing
		C-02-P51098	M4 Lock Nut
		C-02-VBC-5076	Bevelled Washer
		G-02-P51282	AXON Spur Gear DTS 64P88T
		C-02-VBC-5119	LightningF Rear Axle
		C-02-VBC-5120	Shaft Diff Ring Holder
		C-02-VBC-5121	2x9.8mm Shaft Pin
		A-03-VBC-1049	M2x14 Shaft Pin
		B-02-VBC-5122	Aluminum Wheel Hub, Left
		C-02-SC-R2508	M2.5x8mm Cap Head Screw
		B-02-P51289	FXM Aluminum Diff Hub
		B-02-VBC-5124	Aluminum Diff Cap
		B-02-VBC-5125	Thrust Washer
		C-02-DB-0801S	1/8" Diff Balls
B-02-VBC-1001	Diff D Ring		
C-02-VBC-5036	M1.0x7.5 O-ring		
B-02-VBC-5082	Diff Seal O-ring		
D-05-VBC-0205	Upper Arm Spacer	A-03-VBC-1074	Front Upper Arm Pin Guide
		A-03-VBC-1073	Front Upper Arm Spacer
B-02-P51192	FXM Rear Hub Axle Housing R	B-02-P51192	FXM Rear Hub Axle Housing R
B-02-P51205	FXM Rear Hub Axle Housing L	B-02-P51205	FXM Rear Hub Axle Housing L
B-02-P51184	Rear Wing Mount Base	B-02-P51184	Rear Wing Mount Base
B-02-P51287	FXM Rear Wing Mount	B-02-P51287	FXM Rear Wing Mount
B-02-P51284	FXM Aluminium Motor Mount	B-02-P51284	FXM Aluminium Motor Mount
B-02-P50664	Aluminium Motor Mount	B-02-P50664	Aluminium Motor Mount
D-05-VBC-0241	Ride Height Spacer Set 1.0mm/0.5mm (4 each)	A01P50968	Ride Height 1.0mm Spacer
		A01P50969	Ride Height 0.5mm Spacer
C-02-SC-FN03	M3 Nut	C-02-SC-FN03	M3 Nut
X-03-P51295	LightningFXM Decals	X03P51295	LightningFXM Decals
B-02-VBC-0019-575	Wheel Spacer	B-02-VBC-0019-575	Wheel Spacer
C-02-SC-R0204	M2x4 Roundhead Screw	C-02-SC-R0204	M2x4 Roundhead Screw
C-02-SC-R0206	M2x6 Roundhead Screw	C-02-SC-R0206	M2x6 Roundhead Screw
C-02-SC-R2.0x6	M2x6 Screw	C-02-SC-R2.0x6	M2x6 Screw
C-02-SC-R0208	M2.0x8mm Round Head Screw	C-02-SC-R0208	M2.0x8mm Round Head Screw
C-02-SC-R0210	M2x10 Roundhead Screw	C-02-SC-R0210	M2x10 Roundhead Screw
C-02-SC-R2508	M2.5x8mm Cap Head Screw	C-02-SC-R2508	M2.5x8mm Cap Head Screw
C-02-SC-R0304	M3x4 Roundhead Screw	C-02-SC-R0304	M3x4 Roundhead Screw
C-02-SC-R0306	M3x6 Roundhead Screw	C-02-SC-R0306	M3x6 Roundhead Screw
C-02-SC-R0308	M3x8 Roundhead Screw	C-02-SC-R0308	M3x8 Roundhead Screw
C-02-SC-R0310	M3x10 Roundhead Screw	C-02-SC-R0310	M3x10 Roundhead Screw Option
C-02-SC-R0314	M3x14 Roundhead Screw	C-02-SC-R0314	M3x14 Flathead Screw
C-02-SC-F0306	M3x6 Flathead Screw	C-02-SC-F0306	M3x6 Flathead Screw
C-02-SC-F0308	M3x8 Flathead Screw	C-02-SC-F0308	M3x8 Flathead Screw
C-02-SC-F0310	M3x10 Flathead Screw	C-02-SC-F0310	M3x10 Flathead Screw
C-02-SC-F0425	M4x25 Flathead Screw	C-02-SC-F0425	M4x25 Flathead Screw
C-02-SC-SS-0303	M3x3 Set Screw	C-02-SC-SS-0303	M3x3 Set Screw
C-02-SC-SS-0306	M3x6 Set Screw	C-02-SC-SS-0306	M3x6 Set Screw
C-02-SC-SS-0308	M3x8mm Set Screw	C-02-SC-SS-0308	M3x8mm Set Screw
B-03-VBC-0129	M2 E-Clip	B-03-VBC-0129	M2 E-Clip
B-02-VBC-0086	M4 Flanged Wheel Nuts	B-02-VBC-0086	M4 Flanged Wheel Nuts
C-02-SC-NN03	M3 Locknut	C-02-SC-NN03	M3 Locknut
A-03-VBC-1024	M4 Aluminum Lock Nut	A-03-VBC-1024	M4 Aluminum Lock Nut
C-02-P51098	M4 Lock Nut	C-02-P51098	M4 Lock Nut
C-02-BB-1005-B	5x10 Ball Bearing	C-02-BB-1005-B	5x10 Ball Bearing
C-02-BB-3814F	Bearing, 3/8 x 1/4, Flanged for Lightning/ Assoc.R5 series	C-02-BB-3814F	Bearing, 3/8 x 1/4, Flanged for Lightning/ Assoc.R5 series
C-02-BB-3814	Bearing, 3/8 x 1/4 for Lightning/ Assoc.R5 series	C-02-BB-3814	Bearing, 3/8 x 1/4 for Lightning/ Assoc.R5 series
C-02-BB-1105	5x11 Ball Bearing	C-02-BB-1105	5x11 Ball Bearing
B-02-G-50831	LightningF/FX Aluminium Steering Knuckle	B-02-G-50831	LightningF/FX Aluminium Steering Knuckle
B-02-VBC-1002	Front Wheel Shaft	B-02-VBC-1002	Front Wheel Shaft
		C-02-SC-SS-0303	M3x3 Set Screw
D-05-VBC-0248	Lightweight Carbon Fiber Rear Axle Set for LightningF/FX/FXM	B-02-G-50924	Carbon Rear Axle for Formula Chassis
		C-02-G-50922	Left Hub Outer Shaft
C-02-G51196	Brass Lower Arm Support for LightningFX/FXM (39.3gm)	C-02-G51196	Brass Lower Arm Support for LightningFX/FXM (39.3gm)
A-03-G51140	PEEK (polyetheretherketone) Pivot Brace Cover	A03G51140	PEEK (polyetheretherketone) Pivot Brace Cover