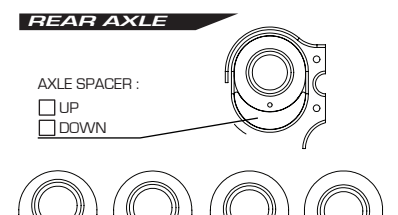
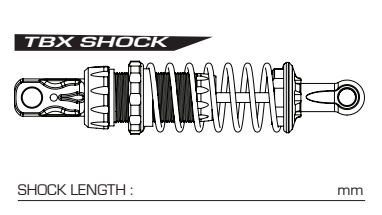
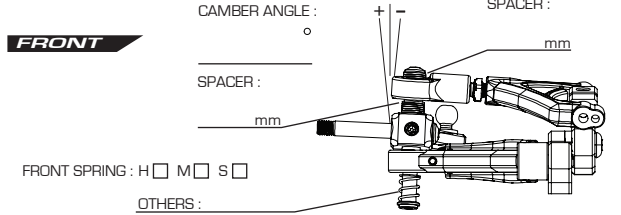
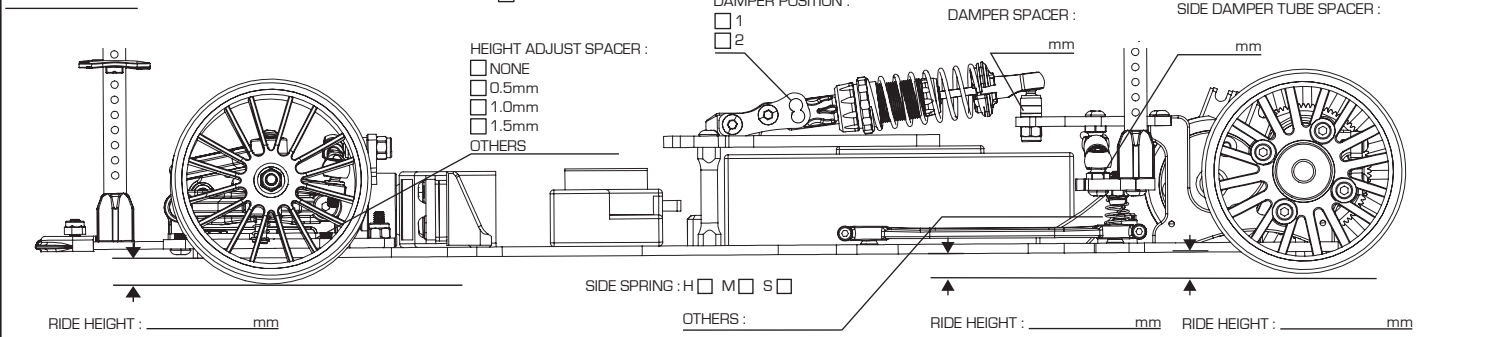
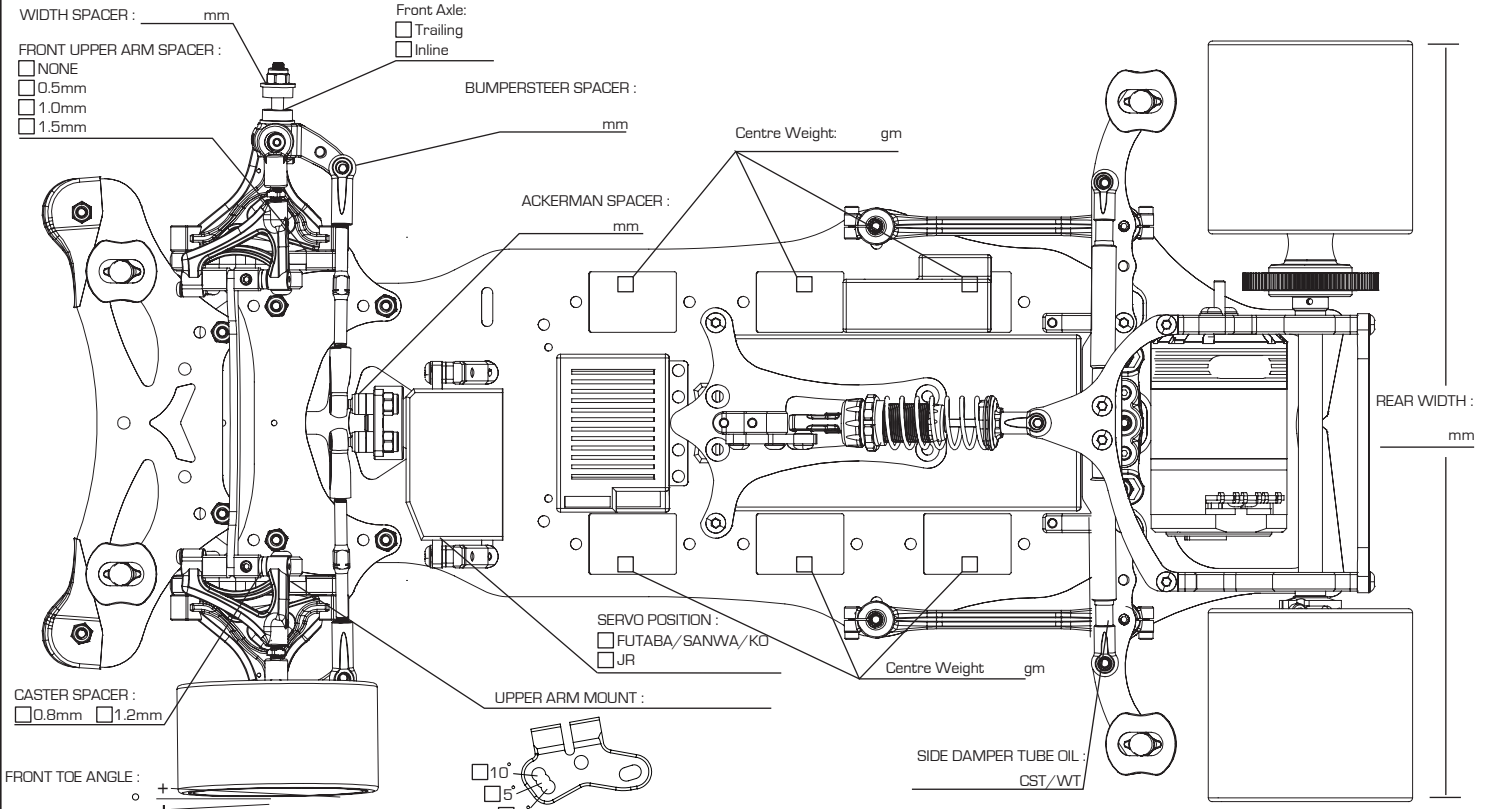




1/10 SCALE ELECTRIC COMPETITION CAR KIT



**SETUP SHEET**



**FRONT TIRES**

TIRE: \_\_\_\_\_

DIAMETER: \_\_\_\_\_ mm

WHEEL: \_\_\_\_\_

TIRE TREATMENT: \_\_\_\_\_

TREATMENT TIME: \_\_\_\_\_

SURFACE TREATED: \_\_\_\_\_

NOTES: \_\_\_\_\_

**REAR TIRES**

TIRE: \_\_\_\_\_

DIAMETER: \_\_\_\_\_ mm

WHEEL: \_\_\_\_\_

TIRE TREATMENT: \_\_\_\_\_

TREATMENT TIME: \_\_\_\_\_

SURFACE TREATED: \_\_\_\_\_

NOTES: \_\_\_\_\_

MOTOR: \_\_\_\_\_ ROTOR: \_\_\_\_\_ TIMING: \_\_\_\_\_

SPUR: \_\_\_\_\_ PITCH/ T PINION: \_\_\_\_\_ PITCH/ T ROLLOUT: \_\_\_\_\_

ESC: \_\_\_\_\_ SETUP: \_\_\_\_\_ BATTERY: \_\_\_\_\_

STEERING EXPO: \_\_\_\_\_ BRAKE E.P.: \_\_\_\_\_ THROTTLE EXPO: \_\_\_\_\_

BODY: \_\_\_\_\_ WEIGHT: \_\_\_\_\_

REMARKS: \_\_\_\_\_