

# WILDFIRE DO6

1/10 4WD ELECTRIC COMPETITION TOURING CAR KIT



## SETUP SHEET

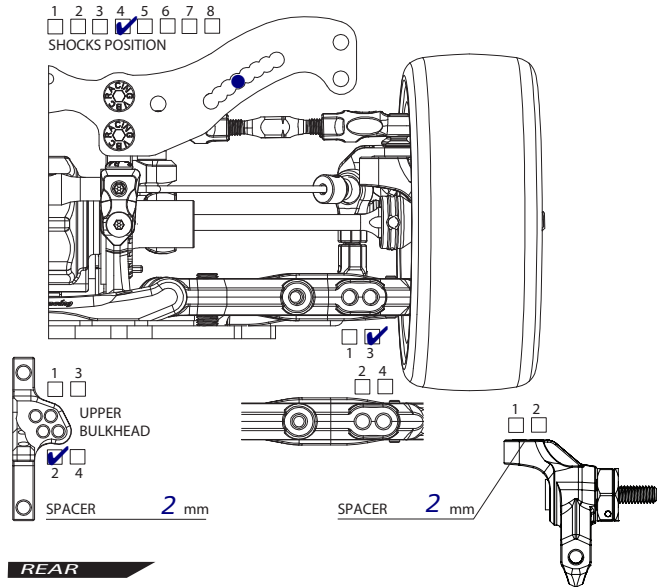
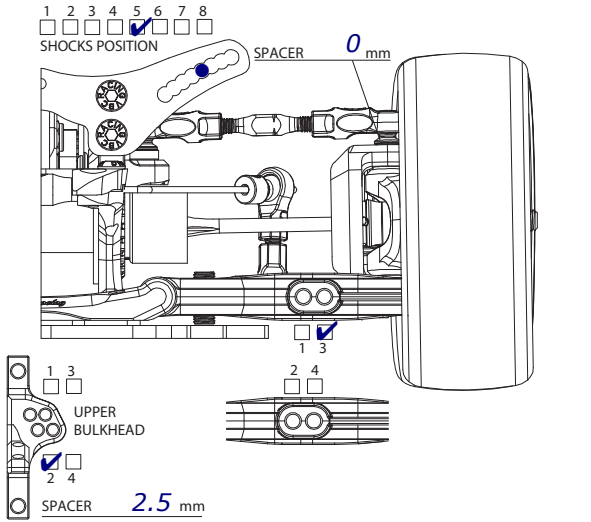
DRIVER *Sandro Kuriger* DATE *14.-18.10.2014*

TRACK NAME *IIC Las Vegas 17.5* RESULT

COMPOSITION (IN  OR/OUTDOOR) BEST LAP *11.599*

HUMIDITY TRACK TEMP

GRIP  MEDIUM LOW SURFACE  SMOOTH BUMPY

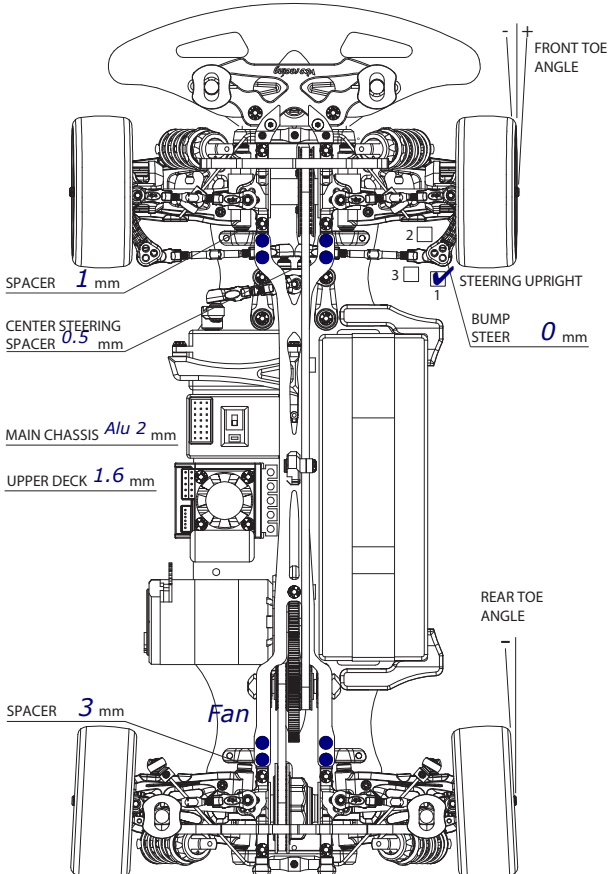


### FRONT

GROUND CLEARANCE	<i>5</i> mm	DROOP	<i>5.8</i>
CAMBER ANGLE	<i>1.5</i> °	TOE ANGLE	<i>1</i> °
CASTER BLOCK	<i>4</i> °	FRONT DRIVE	DIFF (OIL) ) / DIRECT <input checked="" type="checkbox"/>
STABILIZER	1.2 <input checked="" type="checkbox"/>	1.4	WHEEL SPACER <i>0.5</i> mm
SUSPENSION SHIM (FF)	<i>0.5</i> mm	SUSPENSION SHIM (FR)	<i>1</i> mm
SUSPENSION MOUNT (FF)	<i>F10</i>	SUSPENSION MOUNT (FR)	<i>C05</i>
WHEELBASE	FRONT <i>3</i>	REAR <i>1</i>	BELT TENSION
AXLE TYPE / SIZE	TWO PIECE JOINT / SINGLE JOINT (STEEL/ALUM) mm		

### REAR

GROUND CLEARANCE	<i>5.25</i> mm	DROOP	<i>4.8</i>
CAMBER ANGLE	<i>2</i> °	TOE ANGLE	<i>3</i> °
REAR DRIVE	DIFF (OIL <i>3000</i> )	DRIVE CUP	ALUM <input checked="" type="checkbox"/> / STEEL
STABILIZER	1.2 <input checked="" type="checkbox"/>	1.4	WHEEL SPACER <i>0</i> mm
SUSPENSION SHIM (RF)	<i>0.5</i> mm	SUSPENSION SHIM (RR)	<i>0.5</i> mm
SUSPENSION MOUNT (RF)	<i>C0</i>	SUSPENSION MOUNT (RR)	<i>E30</i>
WHEELBASE	FRONT <i>3</i>	REAR <i>1</i>	BELT TENSION
AXLE TYPE / SIZE	TWO PIECE JOINT / SINGLE JOINT (STEEL/ALUM) <i>49</i> mm		



### FRONT

SHOCK LENGTH	<i>60</i> mm
PISTON	3 <input checked="" type="checkbox"/> holes / OTHERS
OIL	<i>450 WRP</i>
SPRING	<i>Ride blue</i>
OIL SEALER CAP	S / <input checked="" type="checkbox"/> / M / H
REBOUND	<i>0</i> %
NOTES	<i>Hole in Cap</i>

### REAR

SHOCK LENGTH	<i>60</i> mm
PISTON	3 <input checked="" type="checkbox"/> holes / OTHERS
OIL	<i>550 WRP</i>
SPRING	<i>Ride Grey</i>
OIL SEALER CAP	S / <input checked="" type="checkbox"/> / M / H
REBOUND	<i>0</i> %
NOTES	<i>Hole in Cap</i>



MOTOR	<i>R1 wurks 17.5</i>	SPUR	<i>98</i> T	PINION	T	PITCH	<i>64</i>
TIRE	<i>Gravity Hand Out</i>	TIRE INSERT		WHEEL			
TIRE ADDITIVE	<i>SXT</i>	TIME	<i>5 min</i>	TIRE WARMER			
ESC	<i>Muchmore FLETA Pro</i>	ESC SETTING	<i>Blinky</i>				
BATTERY	<i>skConcept 6000</i>	BODY	<i>PF Speed 6</i>	REAR WING	<i>MR33 with Cutout</i>		

REMARKS  
*Additive rear full, front half, Glue on Sidewall front*  
*Alum Spoolshaft, Hard Spooloutdrives*