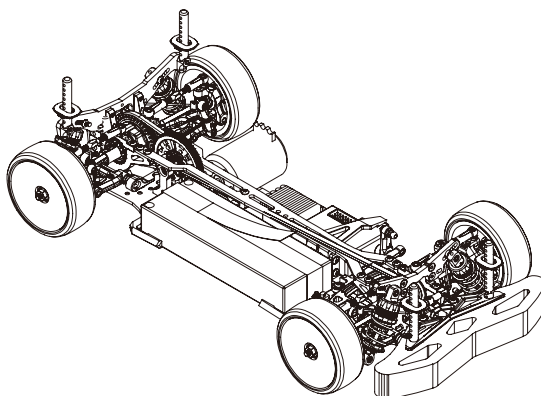


COMPETITION GRADE HIGH PERFORMANCE RADIO CONTROL RACING CAR CHASSIS KIT

ghost 18

1/10 4WD ELECTRIC COMPETITION TOURING CAR KIT



INSTRUCTIONS MANUAL

vbc racing



Thank you for purchasing VBC Racing product.

Things that we should remind you.

This VBC Racing kit is a high performance, racing grade car kit intended for experienced racers. The kit compose of VBC formulated composite materials, top quality full carbon fiber chassis and high grade 7075 material which will give you a competitive edge over the others.

Novice racer should seek advice from more experienced racer before assembly.

Always keep this instruction manual handy at all times for quick reference even after completing the assembly.

Before your assembly, sand the chassis edges.

Sand the chassis edges with #600 sand paper and apply CA glue to the edges and counter sink holes.

Need help or support.

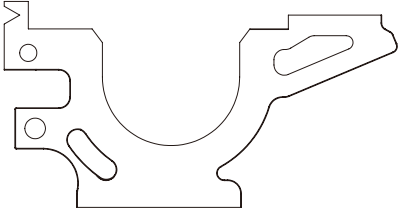
If you need help or you would like to leave us a comment, please email to our support team: support@vbc-racing.com or visit our web site www.vbc-racing.com



內小箱 瓦楞紙 PP

1

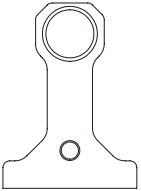
Front Lower Bulkhead Assembly



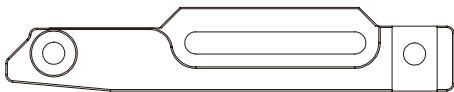
ALU7075 Lower Bulkhead B-02-P41676 x 4



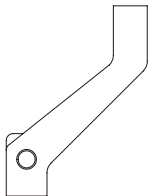
M3x6 Flathead C-02-SC-F0306 x 15



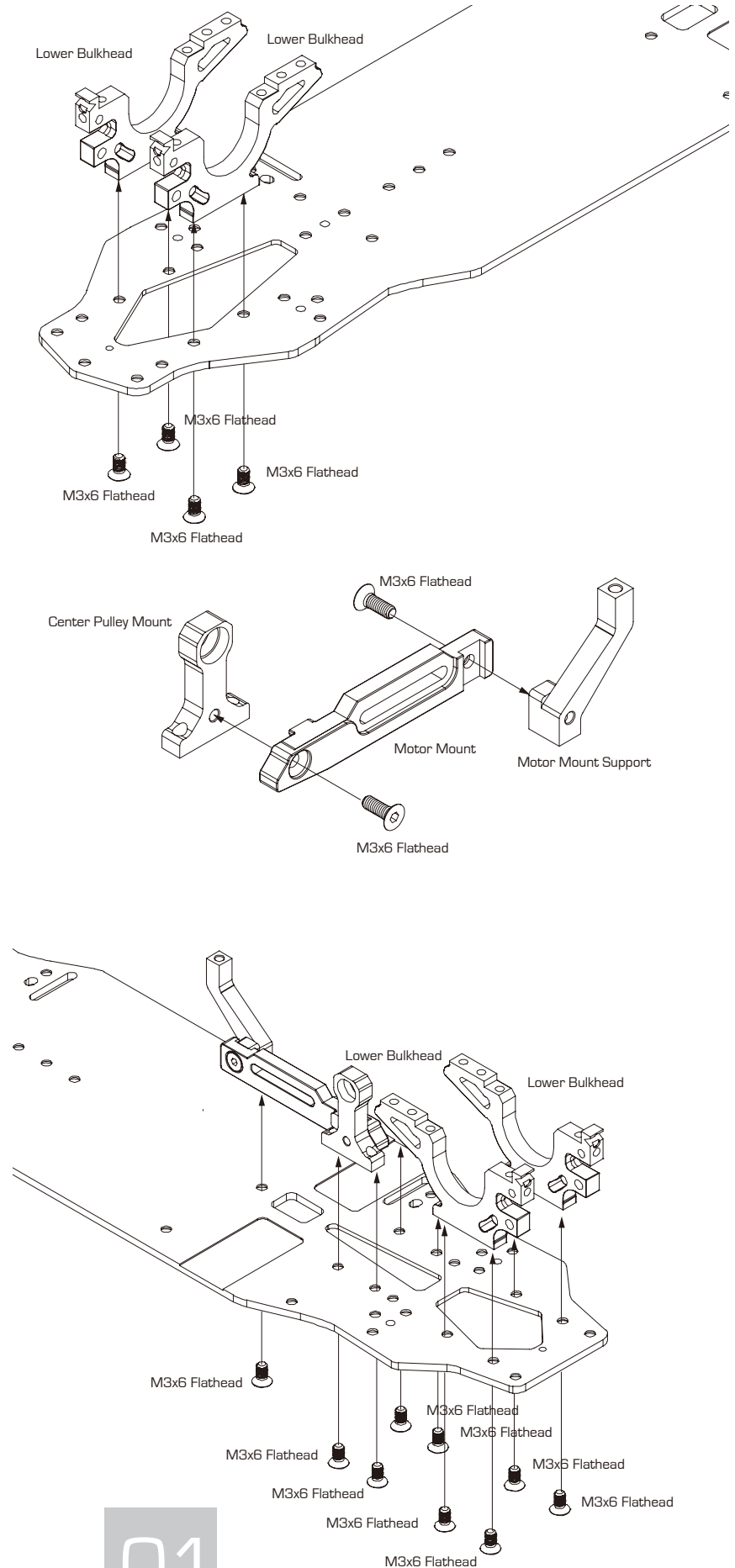
ALU7075 Center Pulley Mount B-02-P41679 x 1



ALU7075 Motor Mount B-02-P41677 x 1

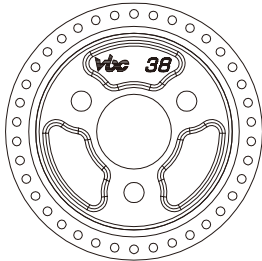


ALU7075 Motor Mount Support B-02-P41678 x 1

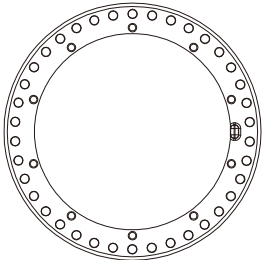


2

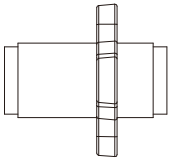
Front Lower Bulkhead Assembly



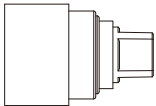
Front Spool 38T A-03-VBC-0021 x 1



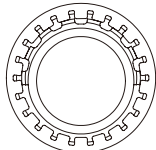
Pulley Belt Guide A-03-VBC-0022 x 1



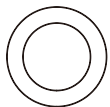
Spool Drive Shaft A-03-VBC-0049 x 1



Front Spool Outdrive A-03-VBC-0055 x 2



Bulkhead Belt Adjuster 927000477 x 2



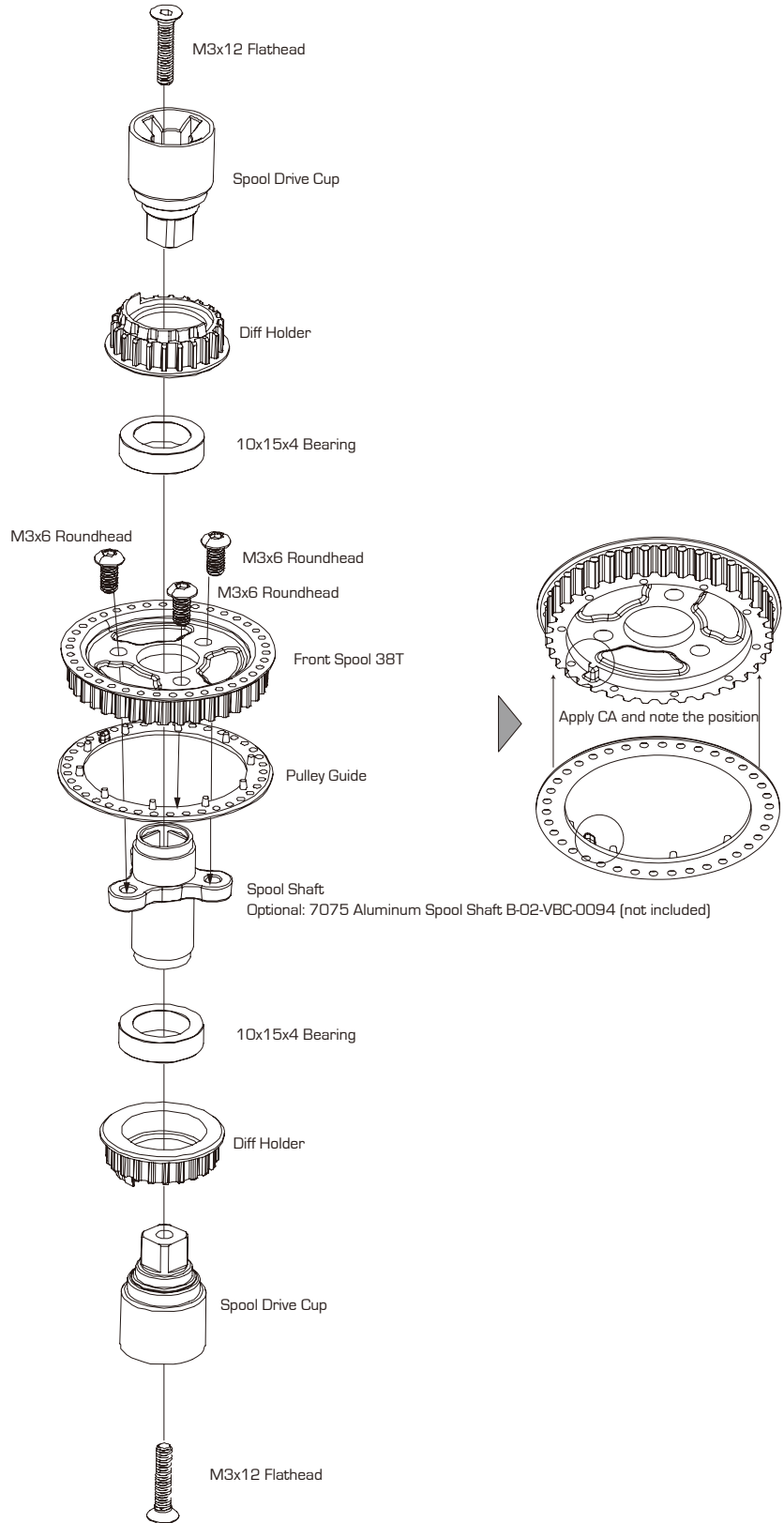
C-02-BB-1510-P 10x15x4 Bearing x 2



M3x12 Flathead C-02-SC-F0312 x 2



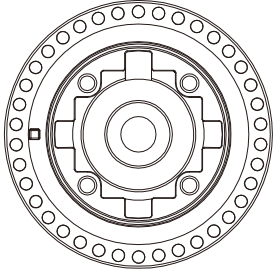
M3x6 Roundhead C-02-SC-R0306 x 3



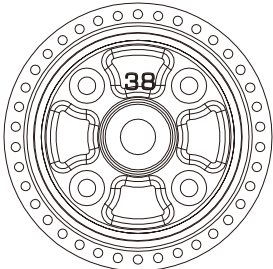
3

Rear Gear Diff Left Side

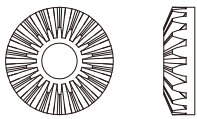
Rear Gear Diff Assembly



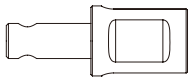
Gear Diff Housing A-03-VBC-0016 x 1



Gear Diff Pulley 3BT A-03-VBC-0017 x 1



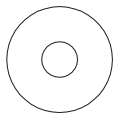
Diff Gear A-03-VBC-0019 x 2



Hardened Gear Differential Hub C-02-P41681 x 2



10 x 15 Ball Bearing C-02-BB-1510-P x 2



15 x 0.3 Shim B-02-VBC-0077 x 2



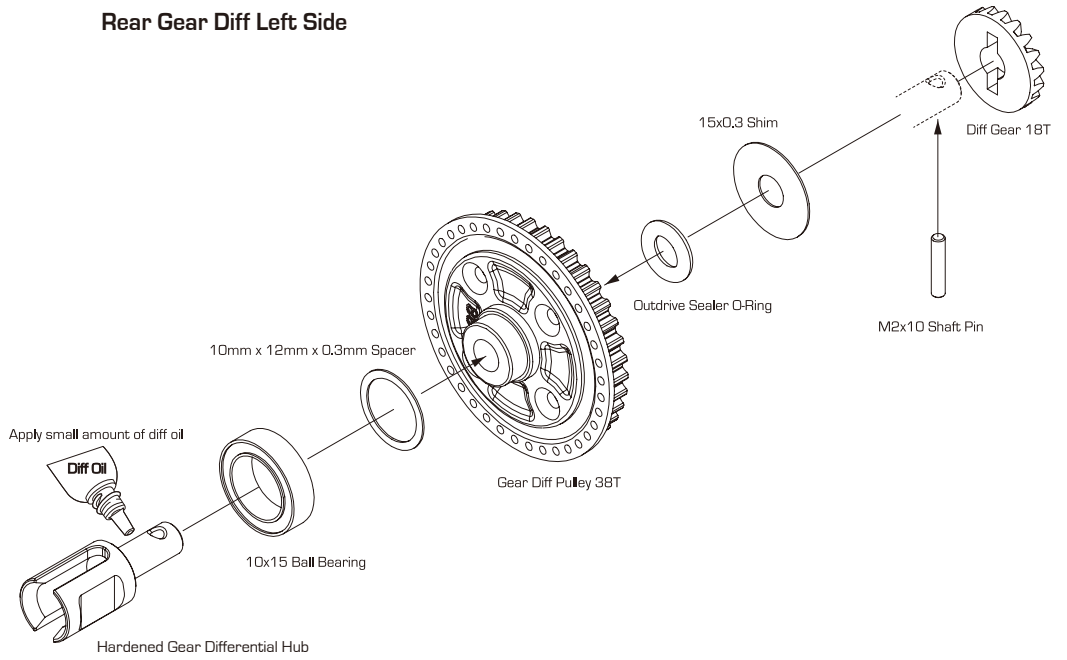
M2 x 10 Shaft Pin B-02-VBC-0020 x 2



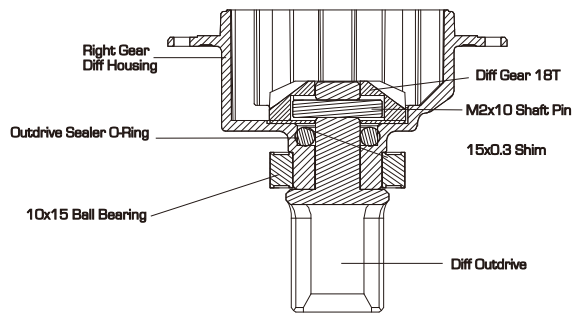
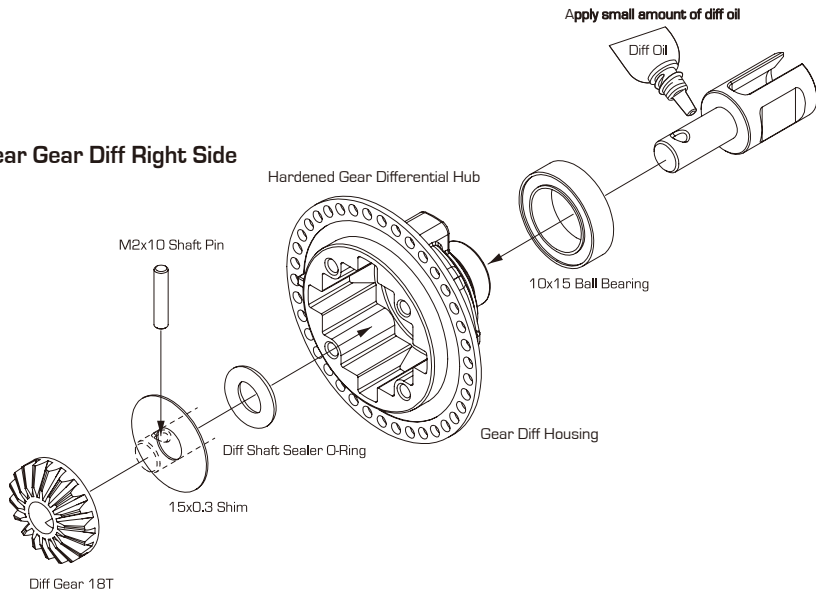
Diff Shaft Sealer O-Ring B-03-VBC-0006 x 2



10mm x 12mm x 0.3mm Spacer C-02-P30914 x 1



Rear Gear Diff Right Side



Rear Gear Diff Right Side Assembly Cross Section

4

Rear Gear Diff Assembly Continue



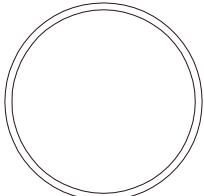
Diff Gear 10T A-03-VBC-0018 x 4



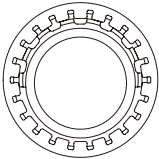
9.5x0.2mm Shim B-02-VBC-0078 x 4



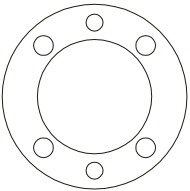
M2.6x10 Flathead Screw C-02-SC-F2.6x10 x 4



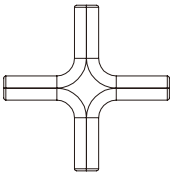
Diff Housing Sealer O-Ring B-03-VBC-0005 x 1



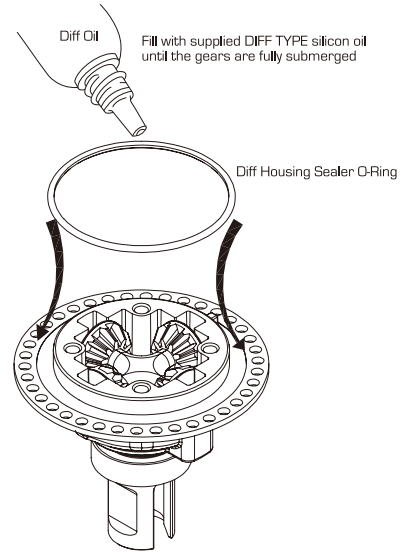
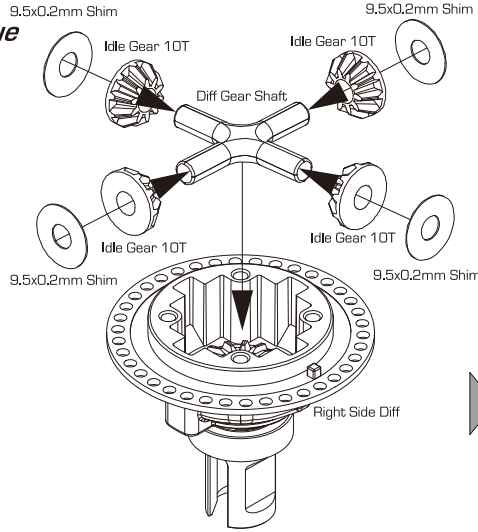
Bulkhead Belt Adjuster 927000477 x 2



Seal Gasket B-03-VBC-0004 x 1

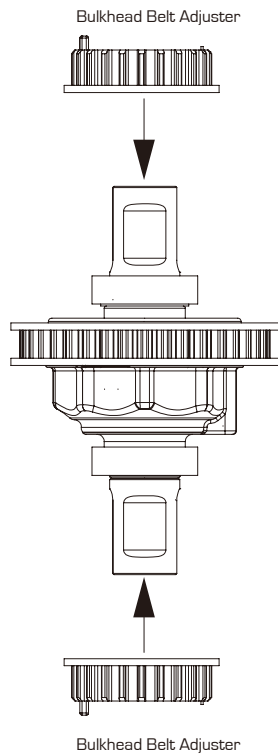


Diff Gear Shaft A-03-VBC-0020 x 1

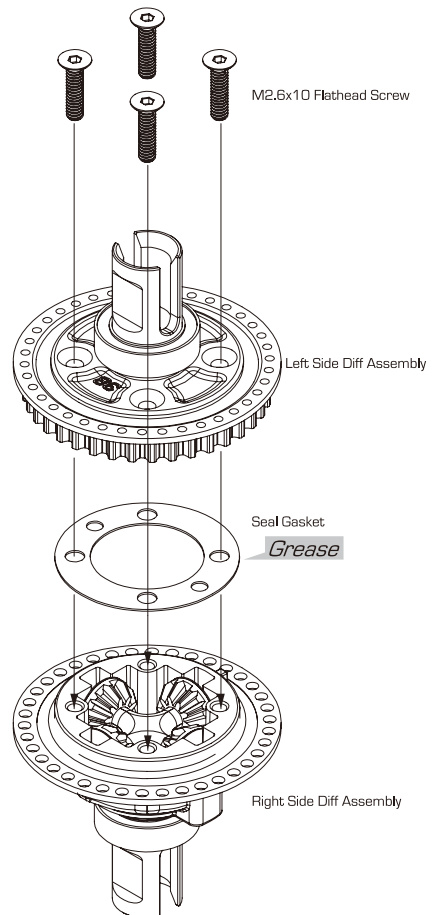


TIP Gear Differentials

Traction	Low	Medium	High
	1000 Cst	4000 Cst	8000 Cst
	3000 Cst	7000 Cst	20000 Cst

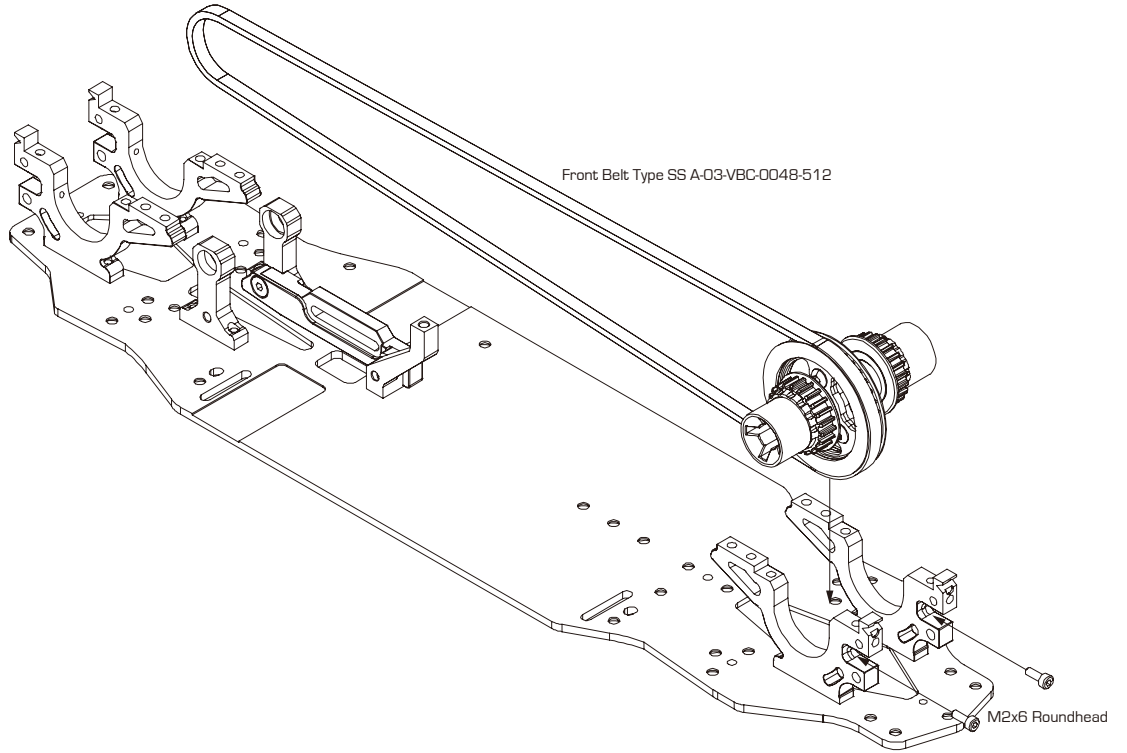


Place Seal Gasket to the left side diff assembly before putting the right side diff together



5

Install Front Drivetrain

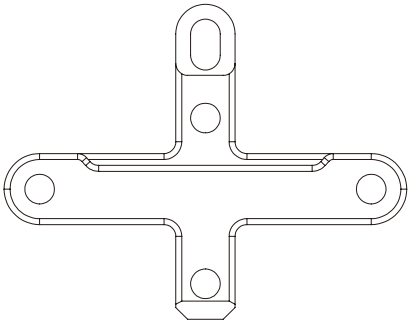


6

Steering System Assembly



ALU7075 Steering Slider B02G40309 x 1



Steering Slider Mount B02G40308 x 1



Steering Post B02P40363 x 2



5x9 Ball Bearings C-02-BB-0905-B x 2



ALU7075 Ball Connector B-02-VBC-5020 x 3



M3x6 Roundhead C-02-SC-R0306 x 2



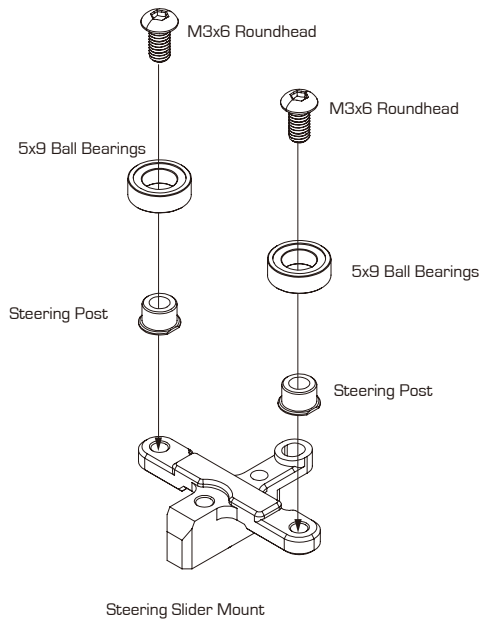
M2x6 Roundhead C-02-SC-R0206 x 2



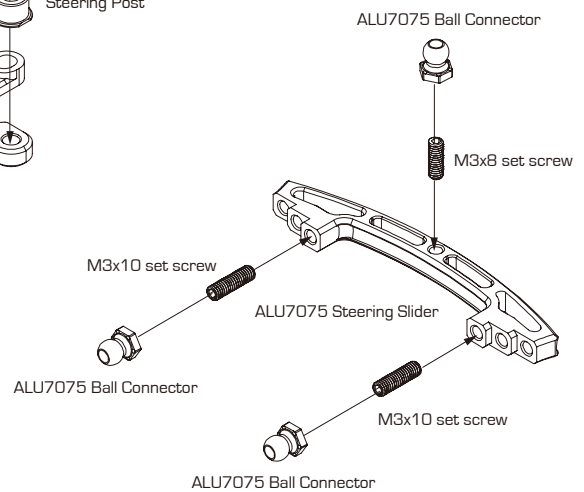
M3x8 set screw C-02-SC-SS-0308 x 1



M3x10 set screw C-02-SC-SS-310 x 2



Steering Slider Mount



ALU7075 Ball Connector

7

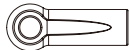
Steering System Assembly



28mm ALU7075 Turnbuckle B02P30512 x 2



M3x18mm Turnbuckle B-02-VBC-0038 x 1



Composite Ball Link A-03-VBC-5016 x 6



M3x6 Flathead screw C-02-SC-F0306 x 2



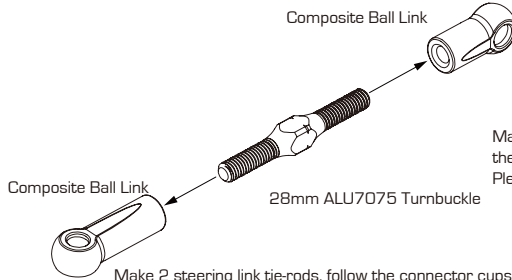
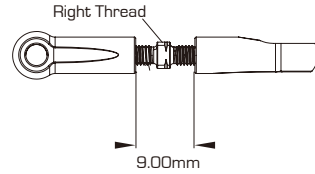
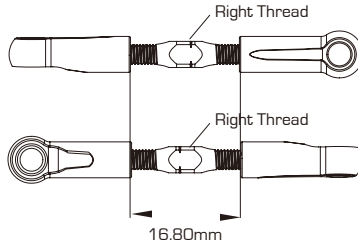
M3 locknut C-02-SC-NN03 x 1



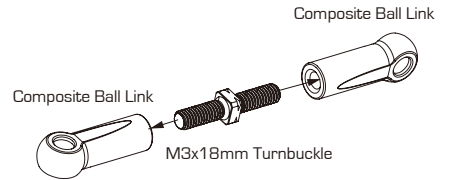
M3x10 Roundhead Screw C-02-SC-R0310 x 1



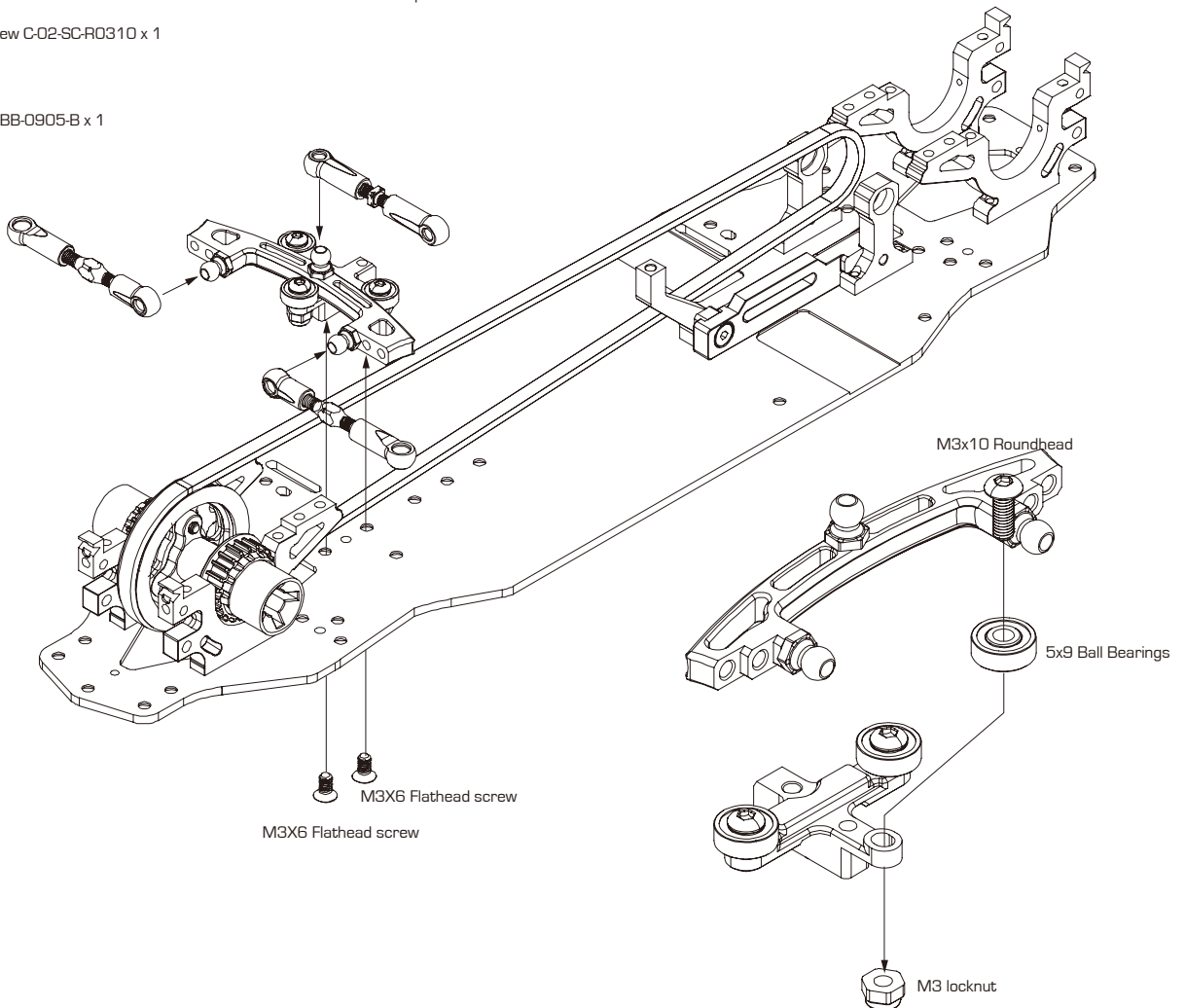
5x9 Ball Bearings C-02-BB-0905-B x 1



Make 2 steering link tie-rods, follow the connector cups directions as the above diagram. The connector cups edge to edge shall be 29.40mm. Please use a caliper to measure the exact measurement

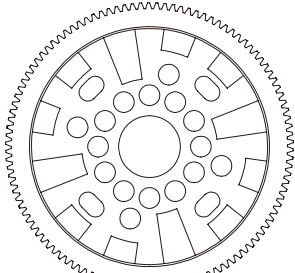


Make 1 servo link tie-rod, follow the connector cups directions as the above diagram. The connector cups edge to edge shall be 7.50mm. Please use a caliper to measure the exact measurement



8

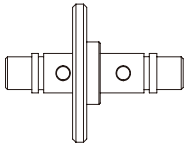
Upper Deck Assembly



Kawada SuperEX 64P Spur Gear 110T x 1



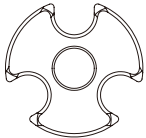
5x8x2.5 bearing C-02-BB-D0805 x 2



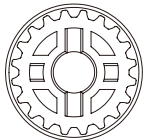
ALU7075 Center Pulley Drive Shaft B-02-P41683 x 1



M3X4 Roundhead Screw C-02-SC-R0304 x 3



Center Pulley Spacer A-03-VBC-0060 x 1



20T Center Pulley A-03-VBC-0003 x 2



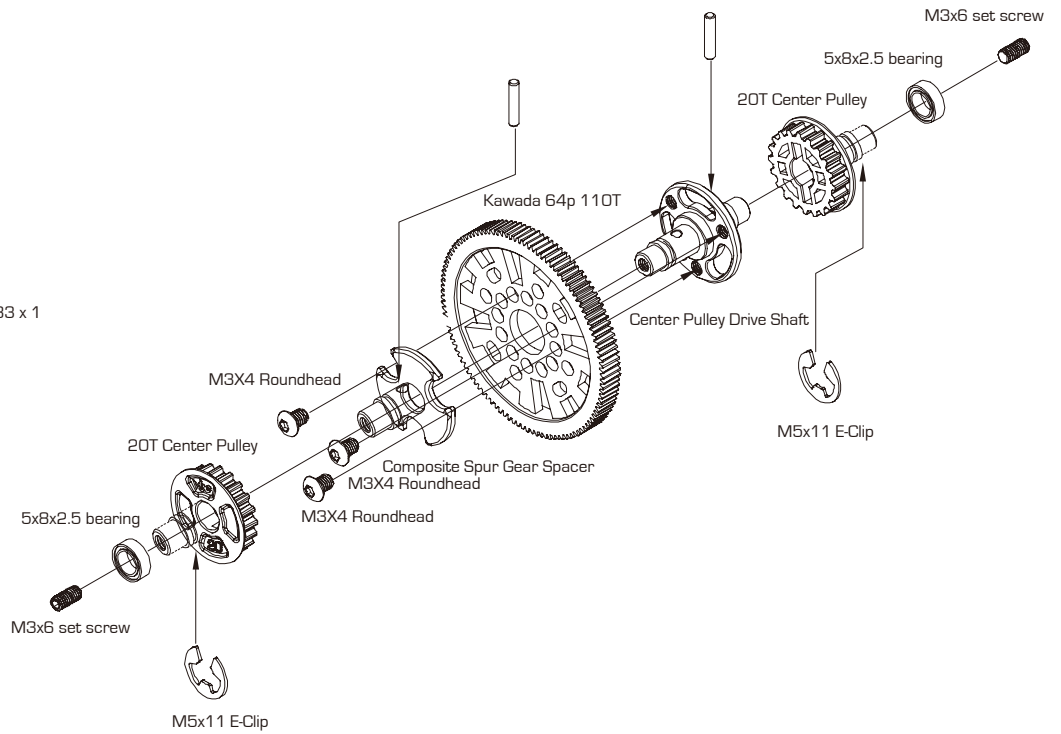
M2x12 Pin B-02-VBC-0020 x 2



M3x6 set screw C-02-SC-SS-0306 x 2



M5x11 E-Clip B-02-VBC-0085 x 2



9

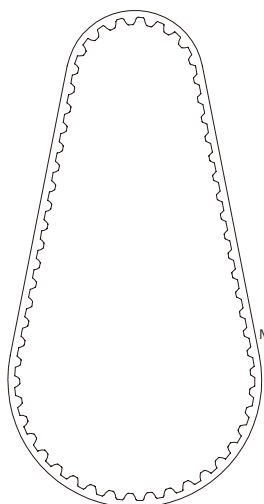
Upper Deck



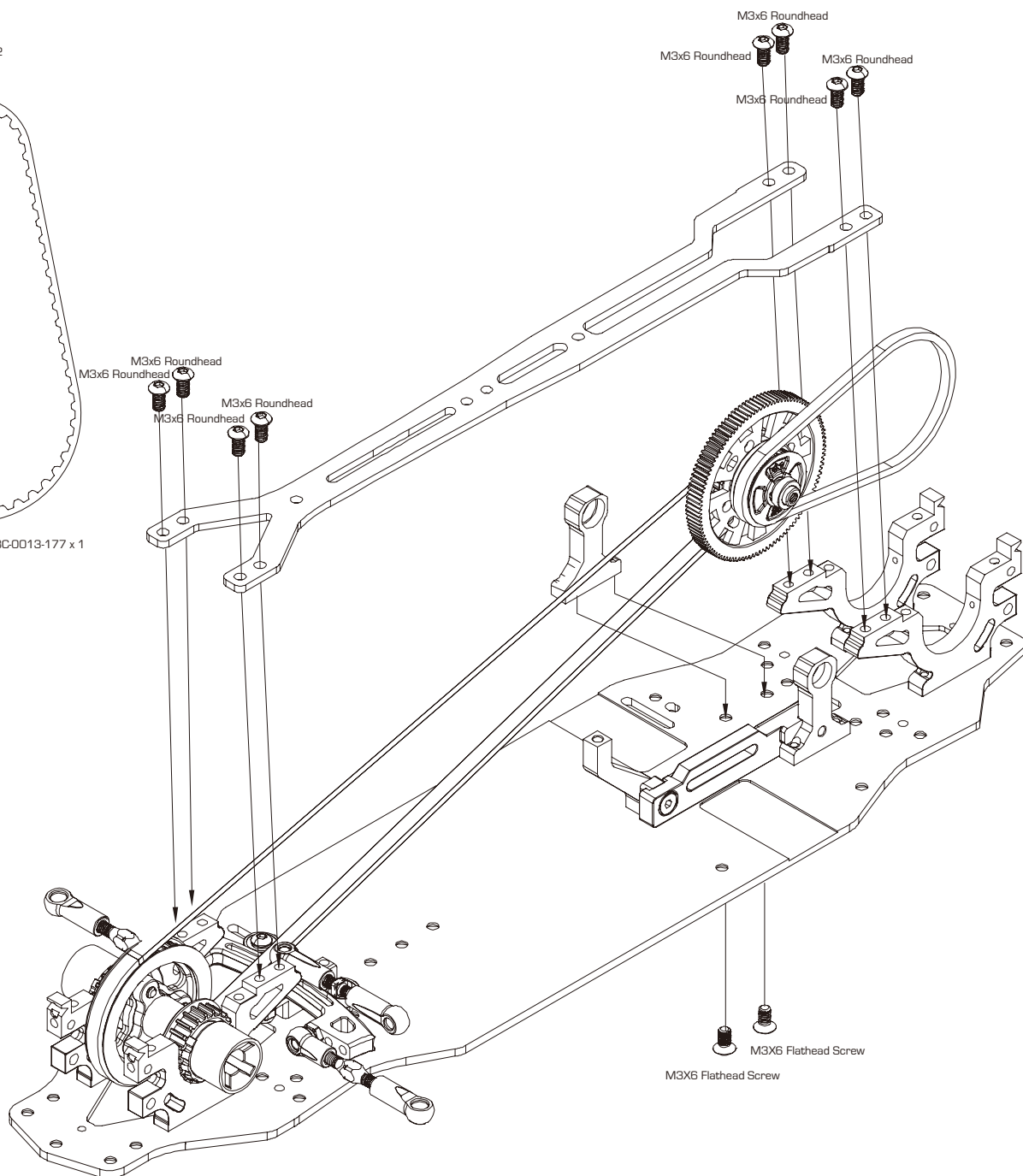
M3x6 Roundhead Screw C-02-SC-R0306 x 8



M3X6 Flathead screw x 2

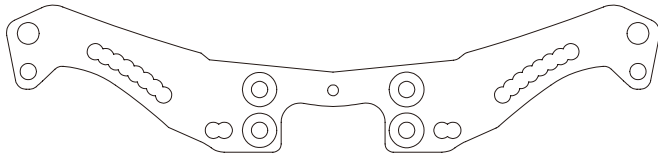


Rear Belt Type R B-03-VBC-0013-177 x 1



11

Upper Bulkhead Assembly



Rear Shock Tower A01P31652 x 1



ALU7075 Suspension Mount C B-02-P41685 x 1



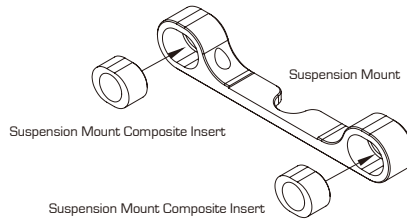
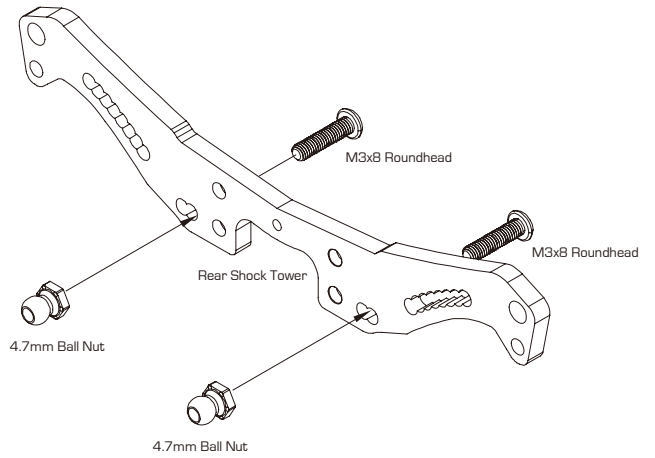
Suspension Mount Composite Insert 1 A03G30311 x 2



M3x8 Roundhead C-02-SC-R0308 x 2



4.7mm Ball Nut B-02-VBC-5020 x 4



12

Install Rear Drivetrain



BH M3x8 C-02-SC-R0308 x 4



M3X6 Flathead Screw C-02-SC-F0306 x 2



M3X8 Flathead Screw C-02-SC-F0308 x 4



ALU7075 Suspension Mount B B-02-P41682 x 2

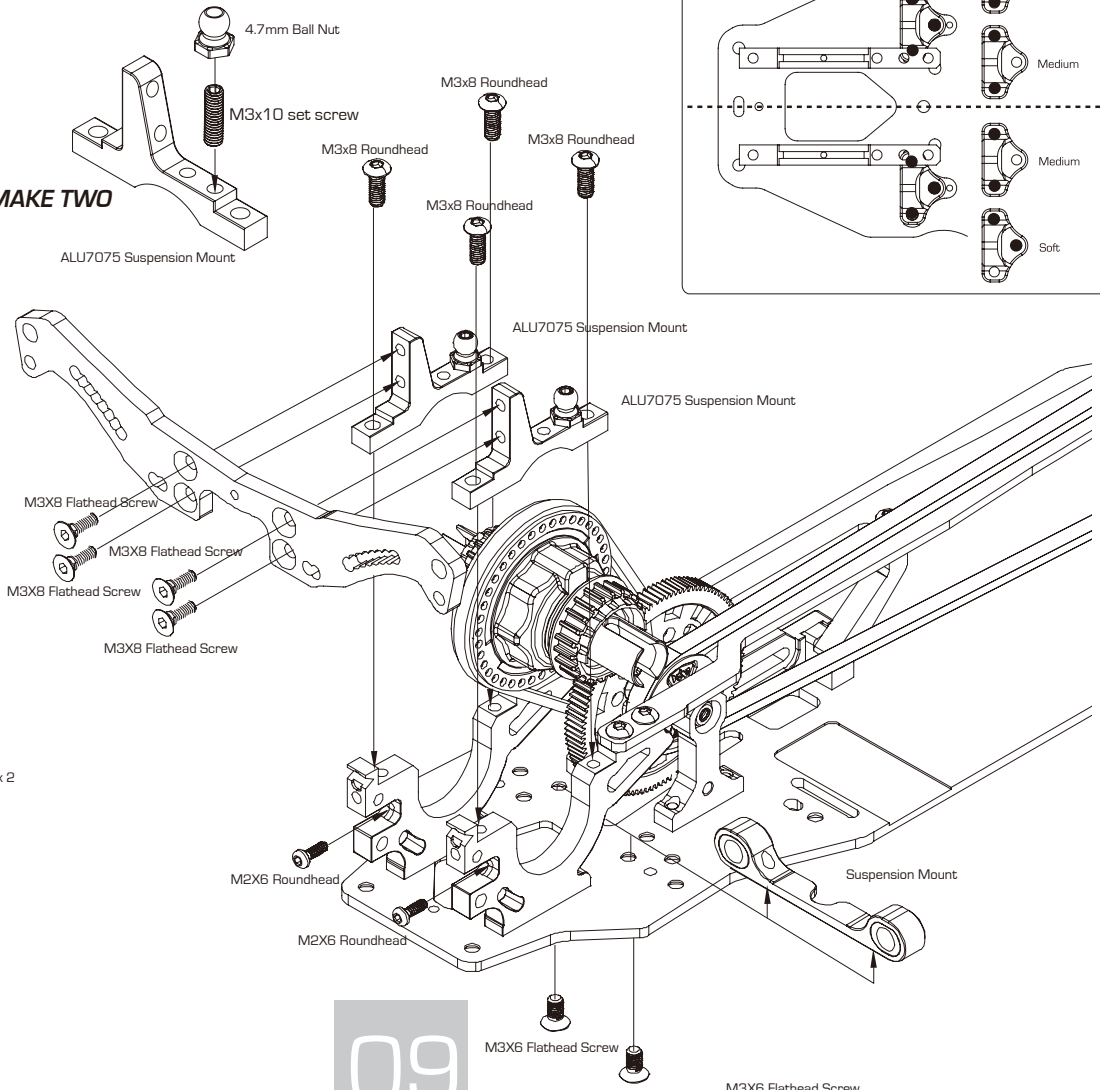


M2X6 Roundhead C-02-SC-R-0206 x 2



M3x10 set screw C-02-SC-SS-310 x 2

MAKE TWO

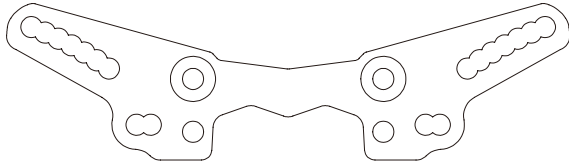


TIP Split Mount Setup for Different Flex

Stiff (Default Setup)
Soft
Medium
Medium
Soft

13

Upper Bulkhead Assembly



Front Shock Tower A01P31653 x 1



ALU7075 Suspension Mount B B-02-P41684 x 1



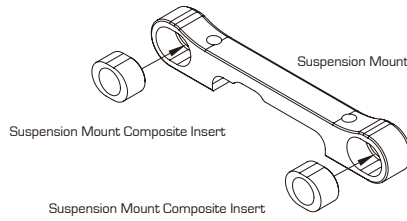
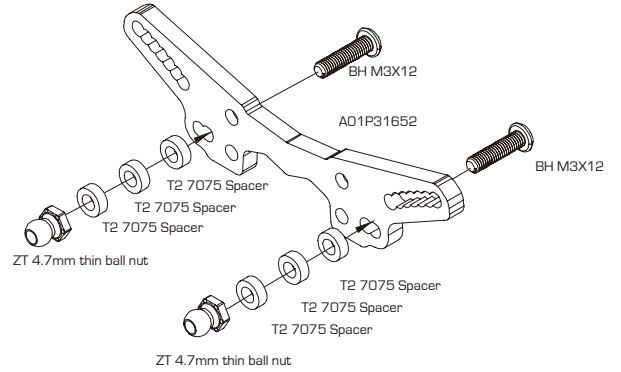
Suspension Mount Composite Insert 1 A03G30311 x 2



M3x8 Roundhead Screw C-02-SC-R0308 x 2



4.7mm Ball Nut B-02-VBC-5020 x 4



TIP Split Mount Setup for Different Flex

Stiff (Default Setup)
Soft
Medium
Medium
Soft

14

Install Front Bulkhead



M3x8 Roundhead Screw C-02-SC-R0308 x 4



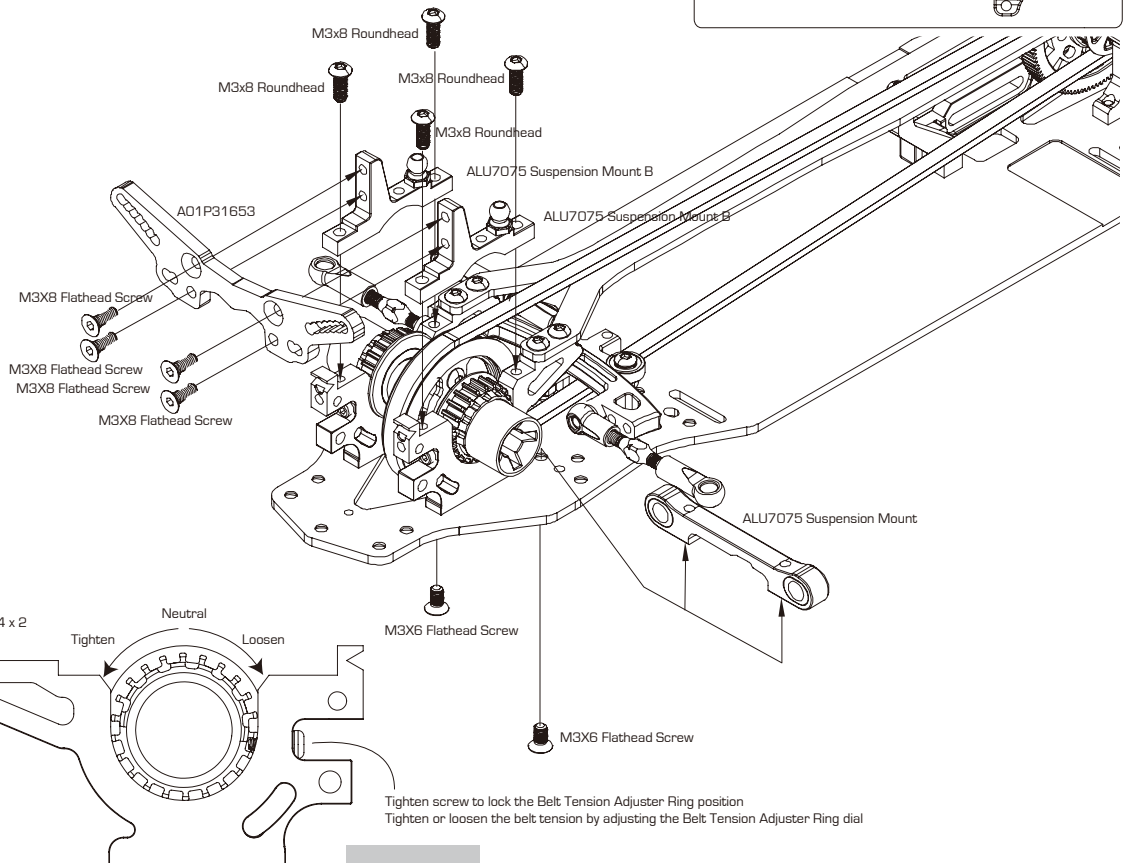
M3x6 Flathead Screw C-02-SC-F0306 x 2



M3x8 Flathead Screw C-02-SC-F0308 x 4

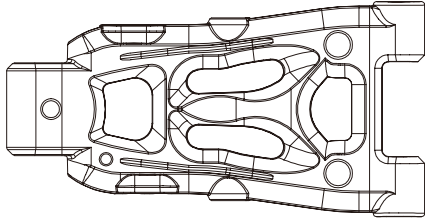


ALU7075 Suspension Mount B B-02-P41684 x 2



15

Rear Suspension Arm Assembly



Rear Suspension Arm A-03-P30896 x 2



Suspension Arm Spacer T2 Composite A-03-VBC-0052 x 2



Suspension Arm Spacer T1 Composite A-03-VBC-0051 x 4



Suspension Arm Pin B-02-VBC-0029 x 2



Arm Pin Pivot Ball B-02-VBC-0035 x 4



Ball Connector B-02-VBC-0045 x 2



4.7mm Ball Nut B-02-VBC-5020 x 2



M3x10 Set Screw C-02-SC-SS-0310 x 4



ALU7075 Suspension Mount A B-02-P41686 x 1



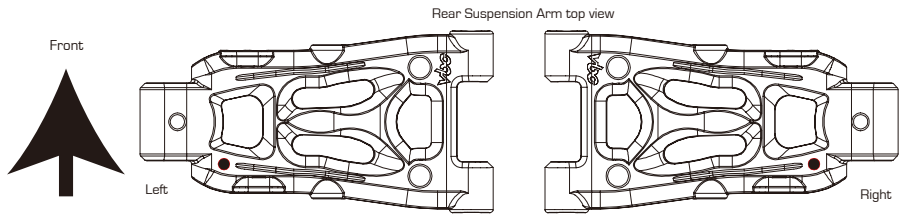
Suspension Mount Composite Insert 4 A03P30948 x 2



M4x10 Set Screw C-02-SC-SS-0410 x 2

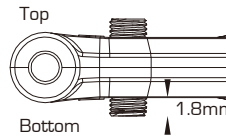
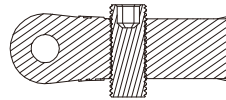


M3x6 Flat Head Screw C-02-SC-F0306 x 2

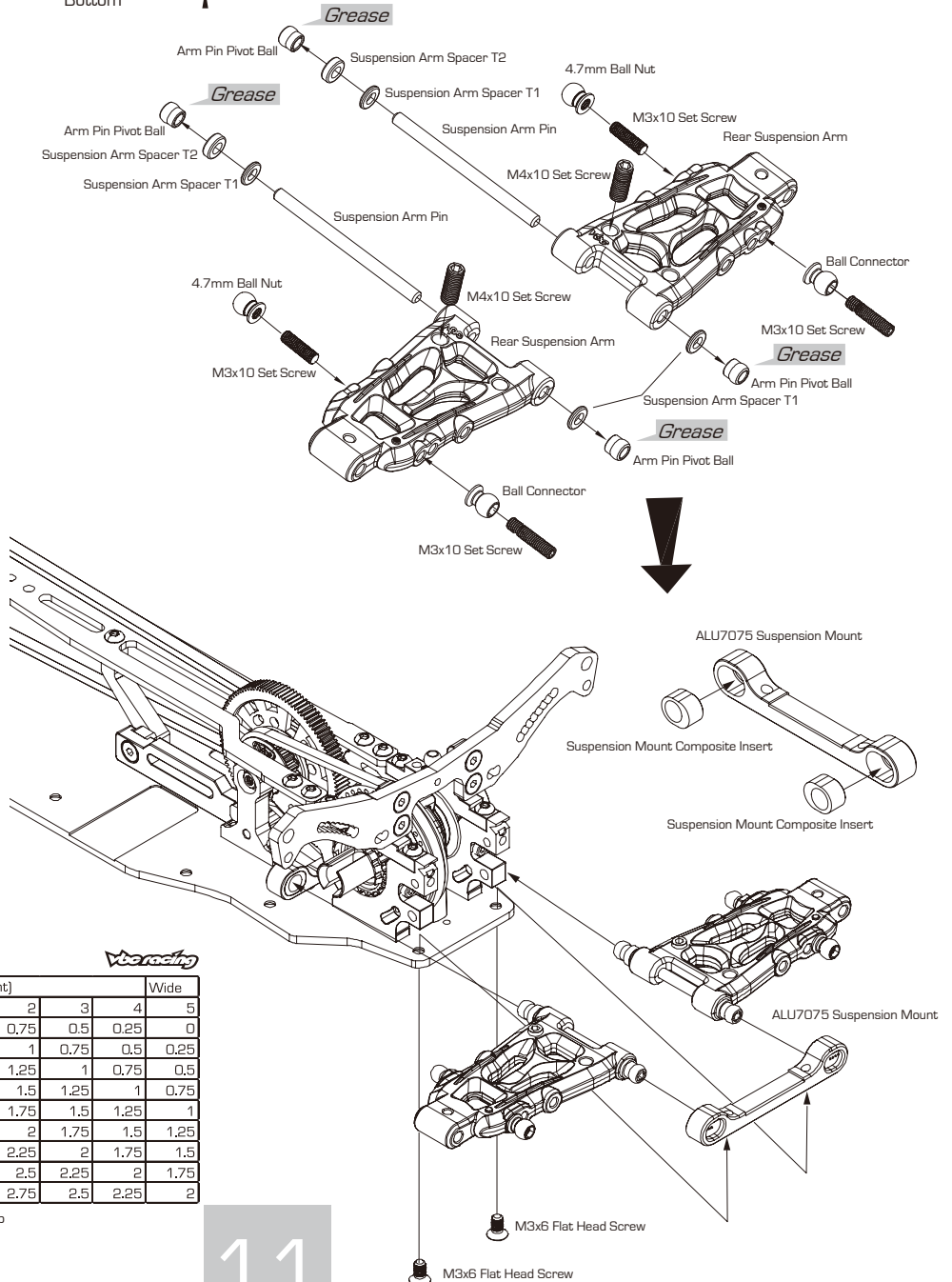


Make sure the black markings are in the same direction on the left and right suspension arms

	Optional	Optional
Rear Suspension Arm	V2 Rear Suspension Arm	V3 Rear Suspension Arm
A-03-VBC-0062	A-03-VBC-3028	A-03-P30268
Soft		Hard



Insert M4x10 Set Screw from the top of the suspension arm for adjusting down stop. Initial setting is 1.8mm measuring from the bottom part of the arm for both sides.



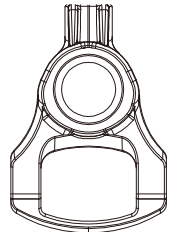
UP Suspension Mount Insert Chart

Composite Insert	Narrow	RF (Split Mount)									
		5	4	3	2	1	2	3	4	5	
Narrow	5	2	1.75	1.5	1.25	1	0.75	0.5	0.25	0	
	4	2.25	2	1.75	1.5	1.25	1	0.75	0.5	0.25	
	3	2.5	2.25	2	1.75	1.5	1.25	1	0.75	0.5	
	2	2.75	2.5	2.25	2	1.75	1.5	1.25	1	0.75	
	1	3	2.75	2.5	2.25	2	1.75	1.5	1.25	1	
Wide	2	3.25	3	2.75	2.5	2.25	2	1.75	1.5	1.25	
	3	3.5	3.25	3	2.75	2.5	2.25	2	1.75	1.5	
	4	3.75	3.5	3.25	3	2.75	2.5	2.25	2	1.75	
	5	4	3.75	3.5	3.25	3	2.75	2.5	2.25	2	

Original Setup

16

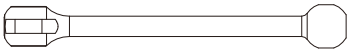
Rear Suspension Arm Assembly Part 2



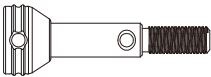
Rear Suspension Upright A-03-P31327 x 2



Delrin Shaft End Shoe A-03-G31180 x 2



7075-T6 Rear Inner Axle (49mm) B-02-VBC-0104 x 2



Wheel Axle B-02-VBC-0025 x 2



Axle Joint B-02-VBC-0026 x 2



Axle Lock Spring B-02-VBC-0027 x 2



5x10mm Ball Bearings x 4



M2x12 Shaft Pin B-02-VBC-3035 x 2



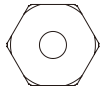
M2x10 Shaft Pin B-02-VBC-0020 x 4



M3x10 Set Screw C-02-SC-SS-0310 x 2



M3x2 Set Screw C-02-SC-SS-0302 x 4

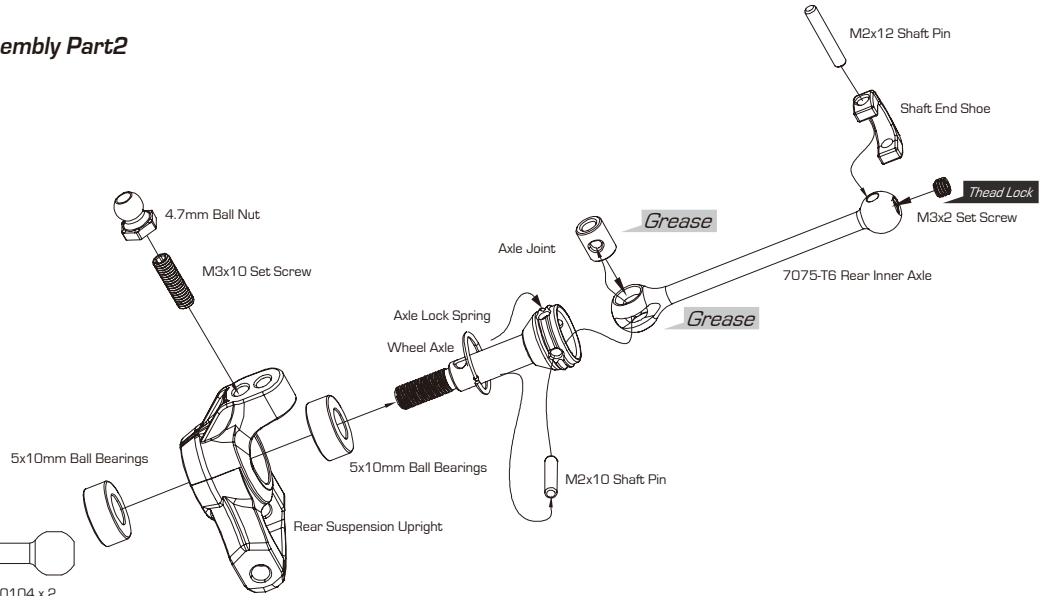


4.5mm Wheel Hubs B-02-G31348 x 2

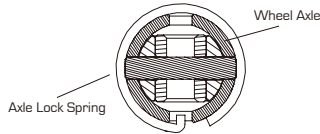


4.7mm Ball Nut B-02-VBC-5020 x 2

Align the Shaft End Shoe to the Inner Axle Pin hole first and slide the 12mm Shaft Pin to the pin hole before securing the pin with M3x2 Set Screw

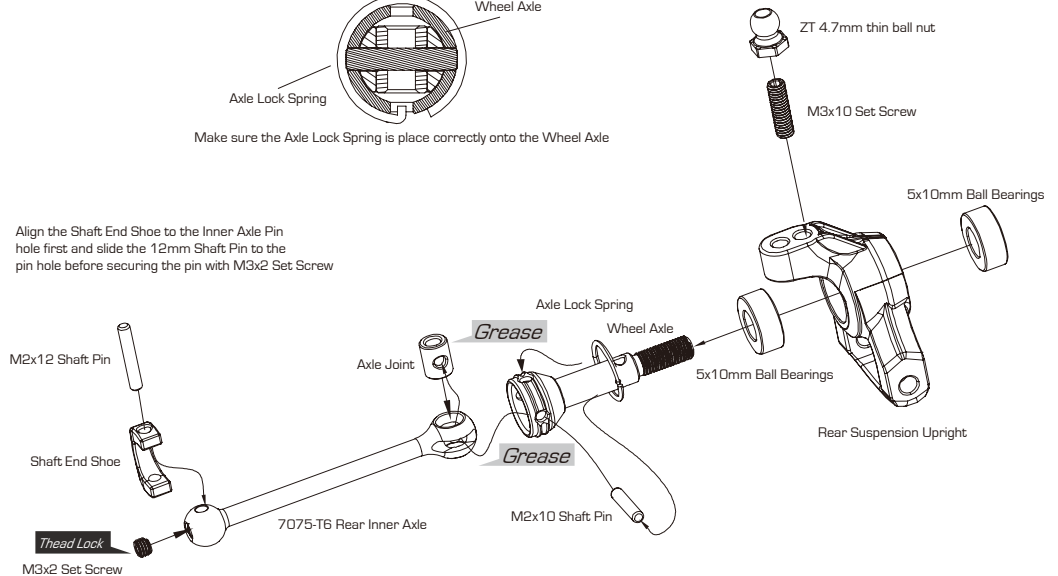


Joint cross section

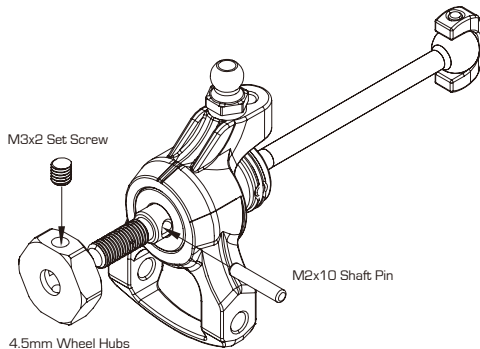


Make sure the Axle Lock Spring is place correctly onto the Wheel Axle

Align the Shaft End Shoe to the Inner Axle Pin hole first and slide the 12mm Shaft Pin to the pin hole before securing the pin with M3x2 Set Screw

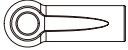


After assembling the drive shaft, make sure the joints are free swinging.



17

Rear Suspension Arm Assembly Part 3



Composite Ball Link A-03-VBC-5016 x 4



36mm ALU7075 Turnbuckle B02P40323 x 2



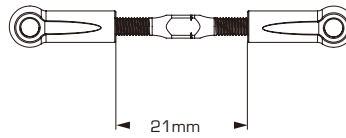
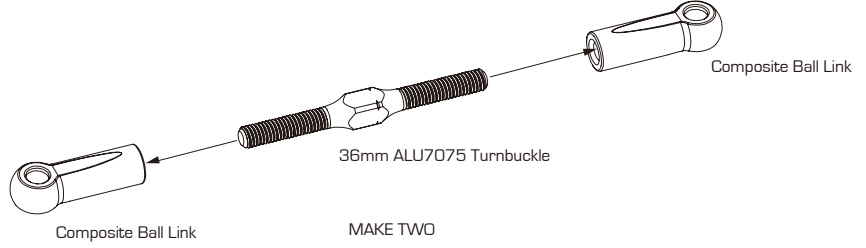
M3x23 Upright Pin B-02-VBC-0032 x 2



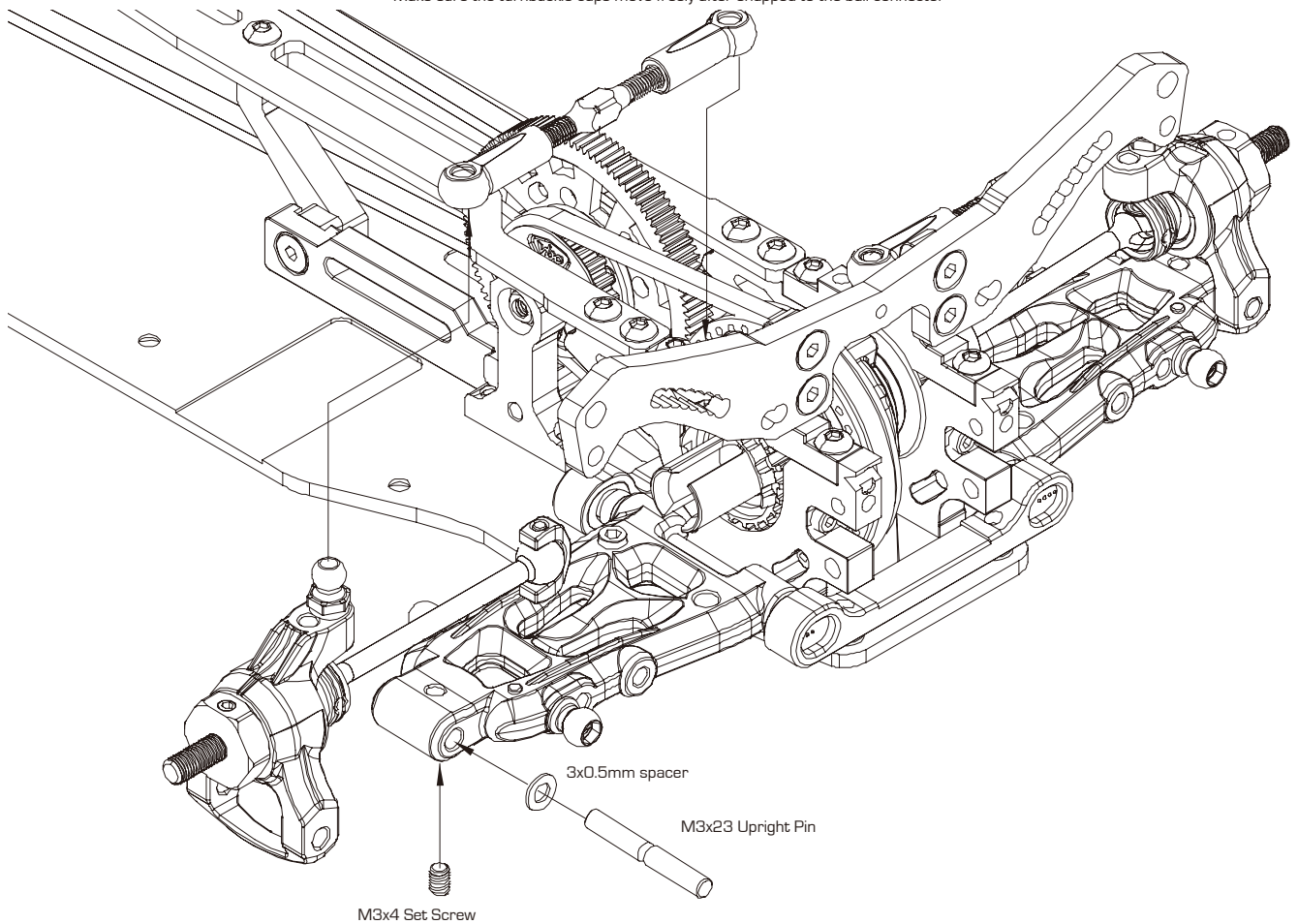
3x0.5mm spacer C02P30951 x 2



M3x4 Set Screw C-02-SC-SS-0304 x 2

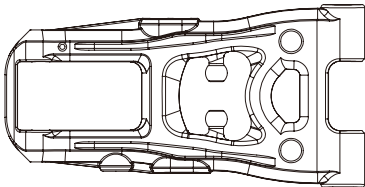


Make sure the turnbuckle caps move freely after snapped to the ball connector

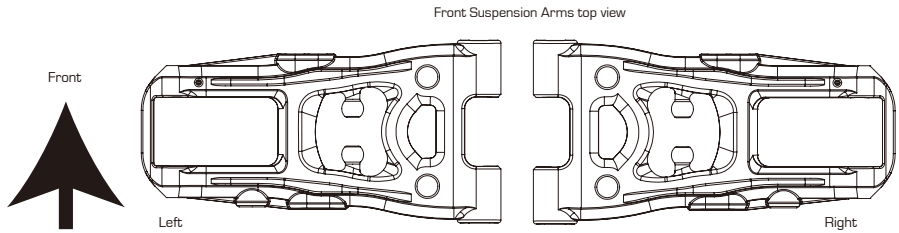


18

Front Suspension Assembly Part 1



Front Suspension Arm A-03-P30899 x 2



Make sure the black markings are in the same direction on the left and right suspension arms

Front Suspension Arm (Soft) A-03-VBC-0061	A-03-VBC-3027	V3 Front Suspension Arm A03P30267
Soft		Hard



Composite Ball Link S A-03-VBC-5021 x 2



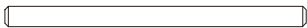
Turnbuckle Cup Open Type S A-03-VBC-0040 x 2



Suspension Arm Spacer T2 A-03-VBC-0052 x 2



Suspension Arm Spacer T1 A-03-VBC-0051 x 4



Suspension Arm Pin B-02-VBC-0029 x 2



Ball Connector B-02-VBC-0045 x 2



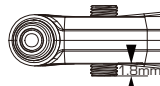
Arm Pin Pivot Ball B-02-VBC-0035 x 4



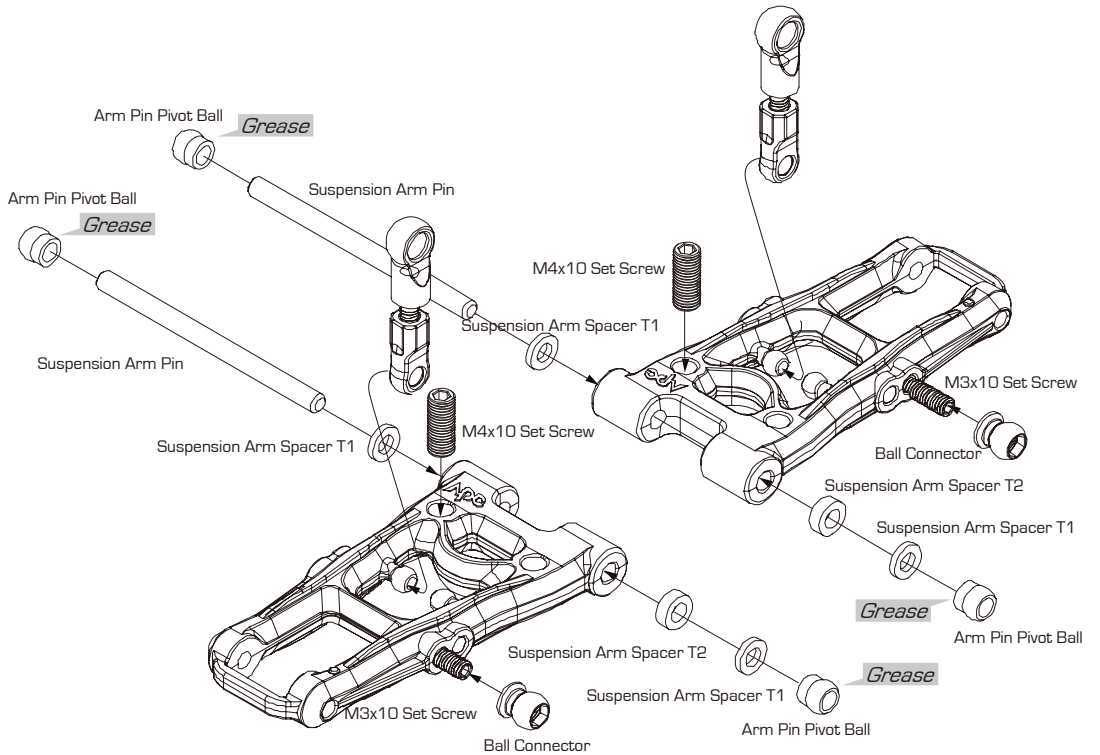
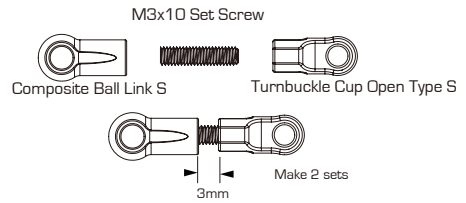
M3x10 Set Screw C-02-SC-SS-0310 x 4



M4x10 Set Screw C-02-SC-SS-0410 x 2

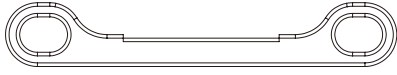


Insert M4x10 Set Screw from the top of the suspension arm for adjusting down stop. Initial setting is 1.8mm measuring from the bottom part of the arm for both sides.



19

Front Suspension Assembly Part 2



ALU7075 Suspension Mount B-02-P41686 x 1



Suspension Mount Composite Insert 4 A03P30948 x 2

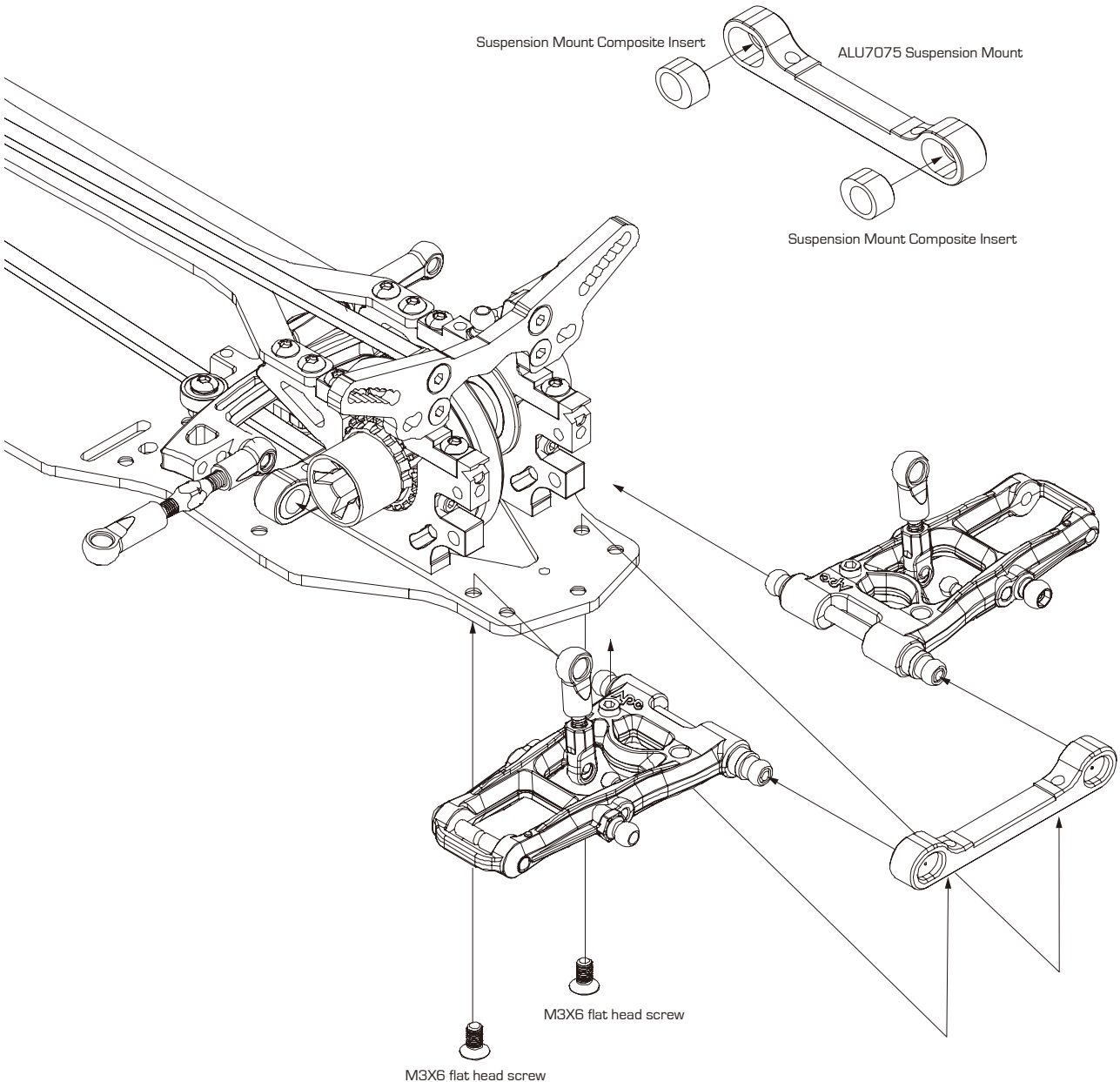


M3X6 flat head screw C-02-SC-F0306 x 2

TIP Suspension Mount Insert Chart

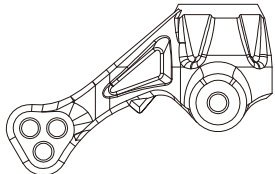


Composite Insert	Narrow	FR (Split Mount)								Wide	
		5	4	3	2	1	2	3	4		5
Narrow	FF (Suspension Mount)	5	0	0.25	0.5	0.75	1	1.25	1.5	1.75	2
		4	-0.25	0	0.25	0.5	0.75	1	1.25	1.5	1.75
		3	-0.5	-0.25	0	0.25	0.5	0.75	1	1.25	1.5
Wide	FF (Suspension Mount)	2	-0.75	-0.5	-0.25	0	0.25	0.5	0.75	1	1.25
		1	-1	-0.75	-0.5	-0.25	0	0.25	0.5	0.75	1
		2	-1.25	-1	-0.75	-0.5	-0.25	0	0.25	0.5	0.75
		3	-1.5	-1.25	-1	-0.75	-0.5	-0.25	0	0.25	0.5
		4	-1.75	-1.5	-1.25	-1	-0.75	-0.5	-0.25	0	0.25
5	-2	-1.75	-1.5	-1.25	-1	-0.75	-0.5	-0.25	0	0.25	



20

Front Suspension Assembly Part 3



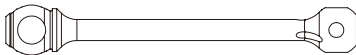
Steering Block V3 A-03-P30269 x 2



Double Joint Inner C02P30940 x 4



Double Joint Case C02P30942 x 2



Double Joint Bone for Xray, VBC 41.3mm C02P30939 x 2



Double Joint Axle Shaft C02P30944 x 2



5x10x4 Ball Bearing C-02-BB-1005-B x 2



5x10x3 mm Ball Bearing c-2-BB-1053B x 2



M2x10 Shaft Pin B-02-VBC-0020 x 6



M2x12 Shaft Pin B-02-VBC-3035 x 2



M3x2 Set Screw C-02-SC-SS-0302 x 2



M3x3 Set Screw C-02-SC-SS-0303 x 2



4.7mm Ball Nut B-02-VBC-5020 x 2



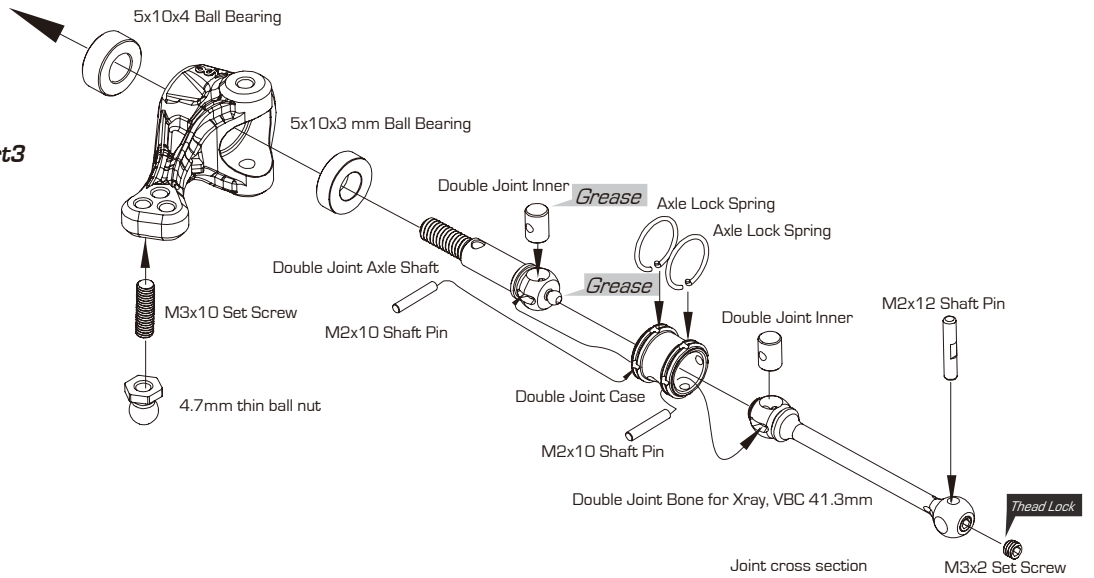
Axle Lock Spring B-02-VBC-0027 x 4



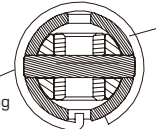
M3x10 Set Screw C-02-SC-SS-0310 x 2



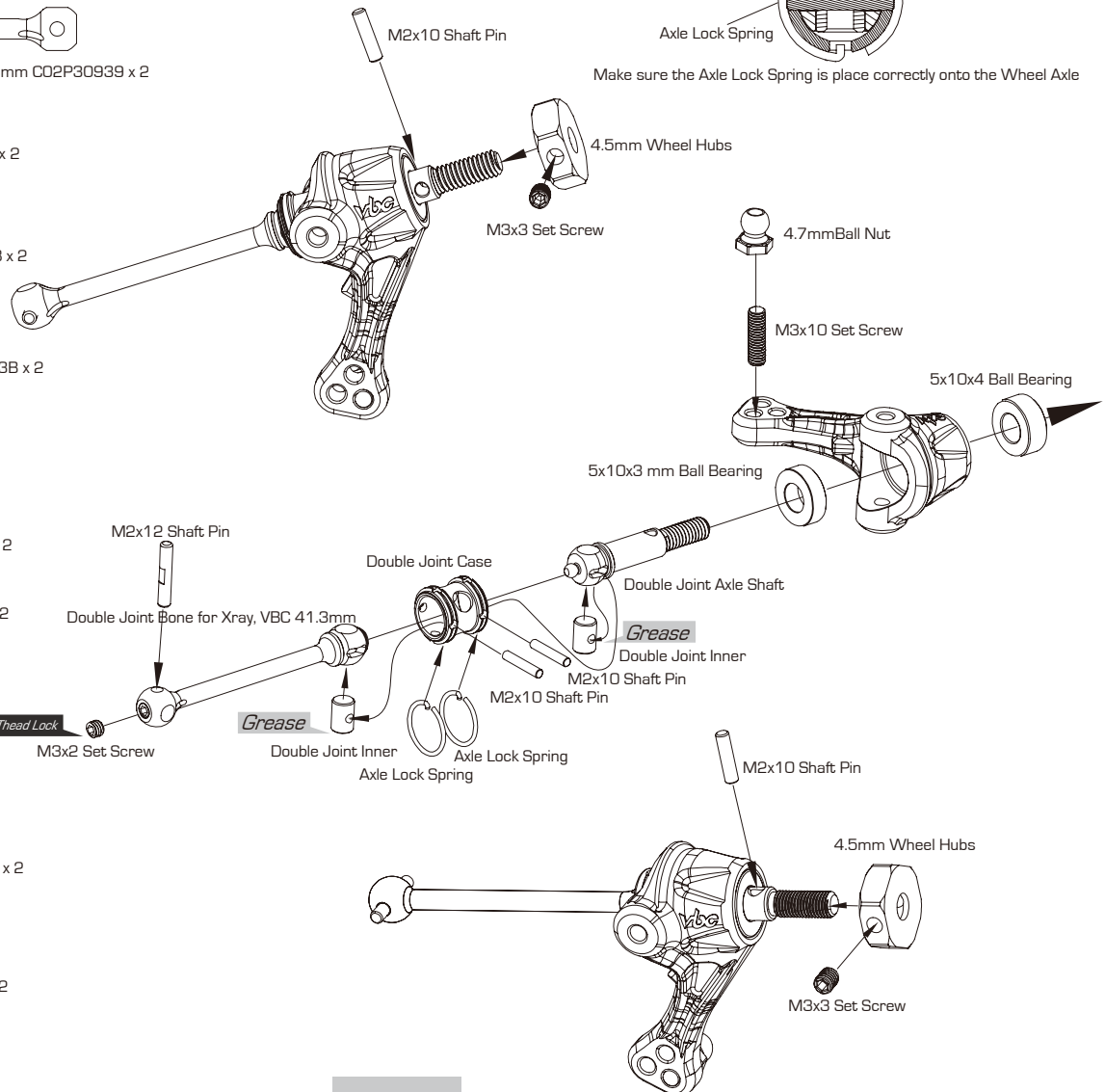
4.5mm Wheel Hubs B-02-G31348 x 2



Joint cross section

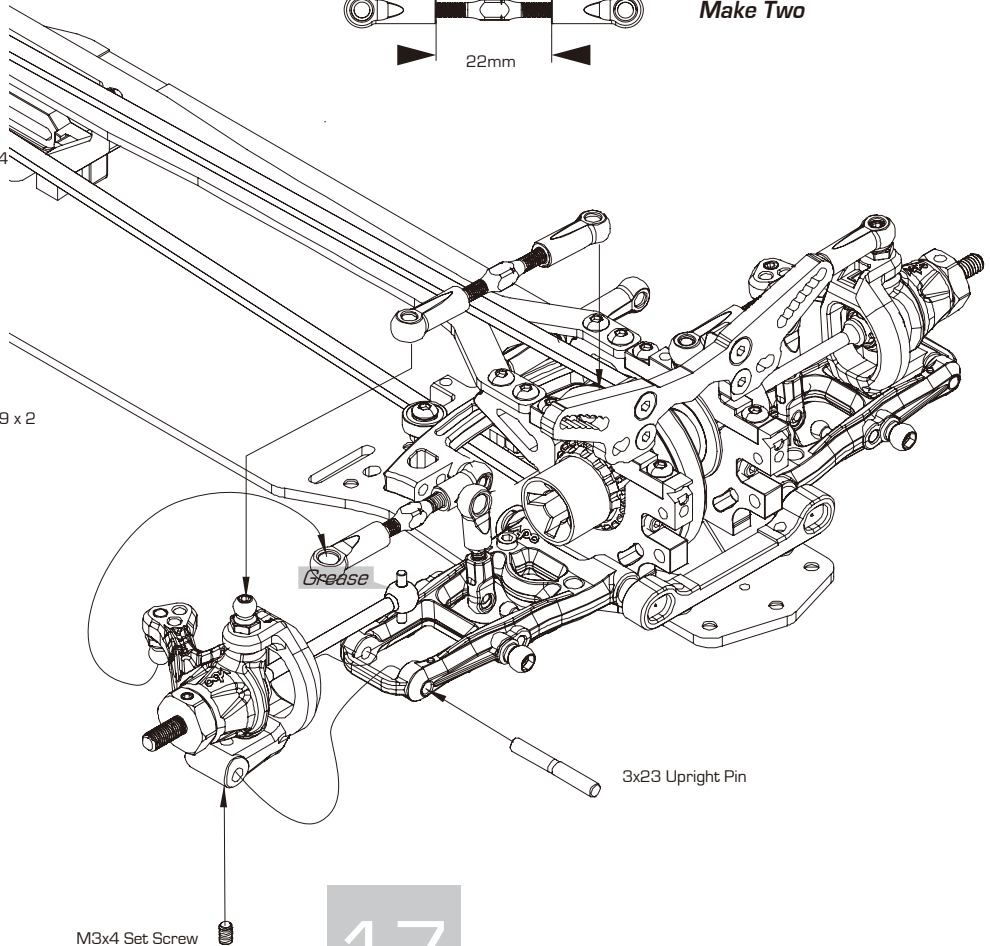
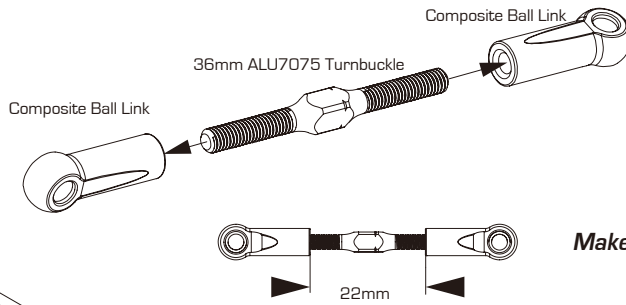
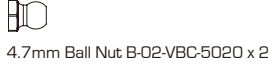
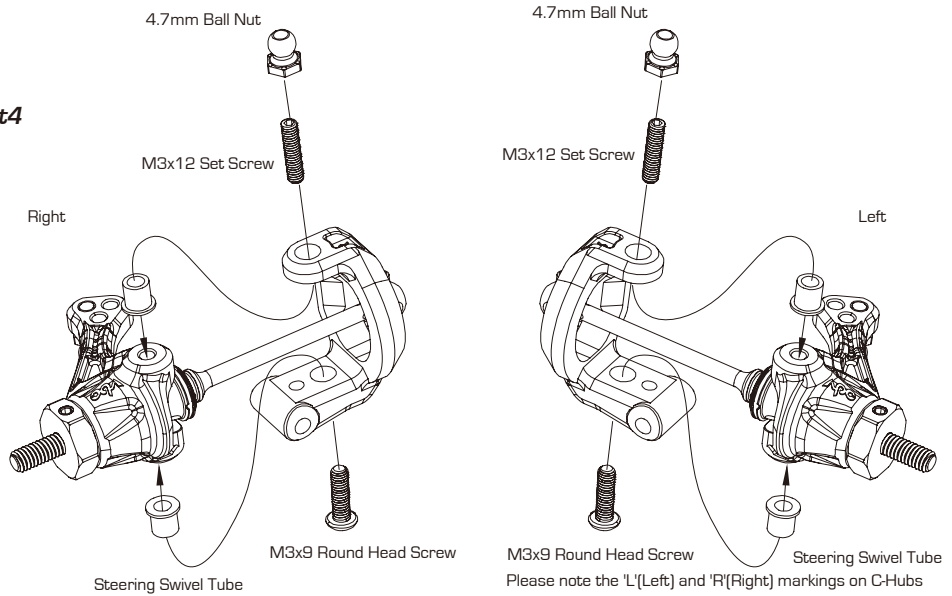
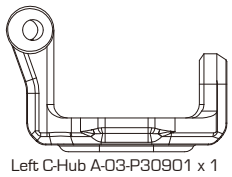
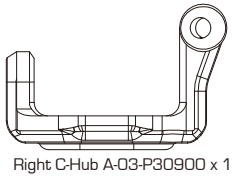


Make sure the Axle Lock Spring is place correctly onto the Wheel Axle



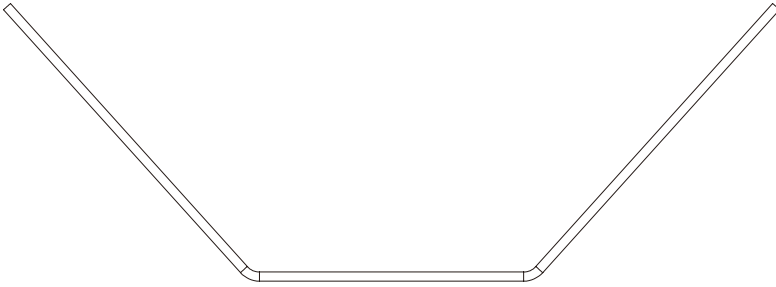
21

Front Suspension Assembly Part 4



22

Front and Rear Stabilizers



Rear Stabilizer 1.3 C02P30249 x 1

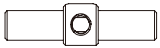


Front Stabilizer 1.3 C02P30248 x 1

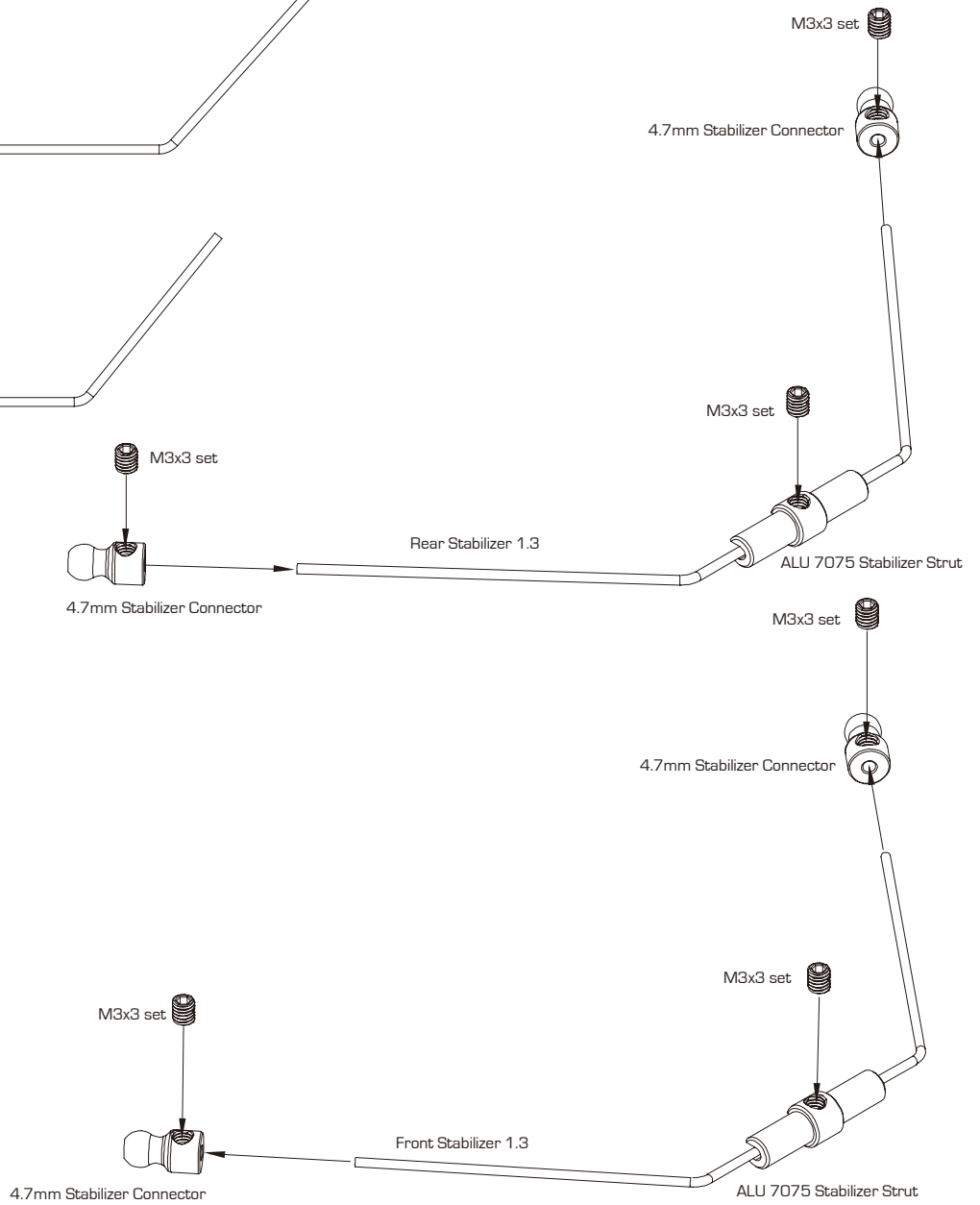
M3x3 set C-02-SC-SS-0303 x 6



4.7mm Stabilizer Connector B-02-P41687 x 4

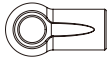


ALU 7075 Stabilizer Strut B-02-P41689 x 2



23

Install Front and Rear Stabilizers



Composite Ball Link S A-03-VBC-5021 x 4



M3x3 set C-02-SC-SS-0303 x 4



M3x10 set screw C-02-SC-SS-310 x 2

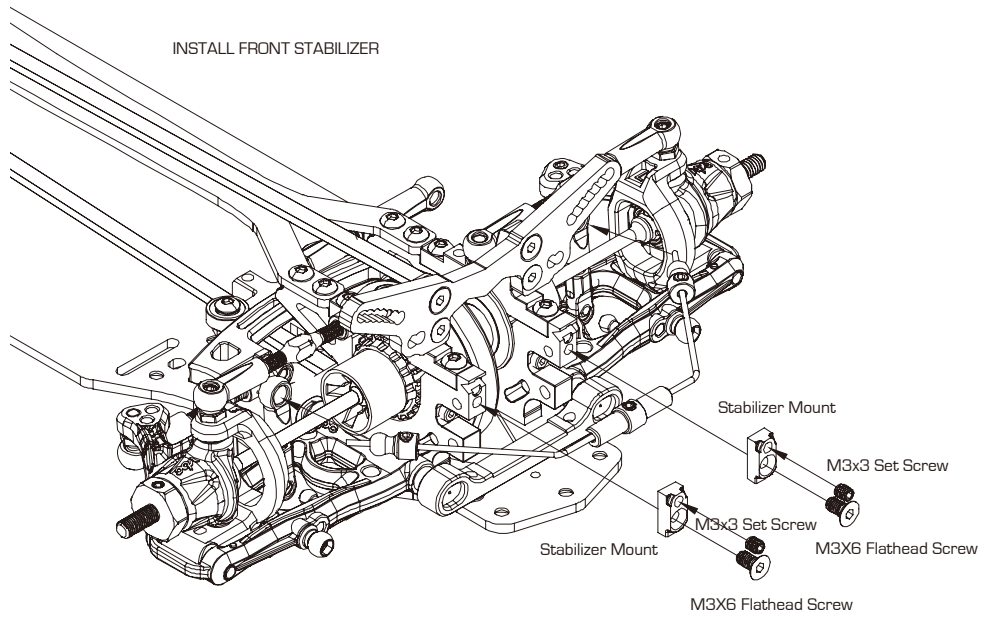


Stabilizer Mount A-03-P41688 x 4

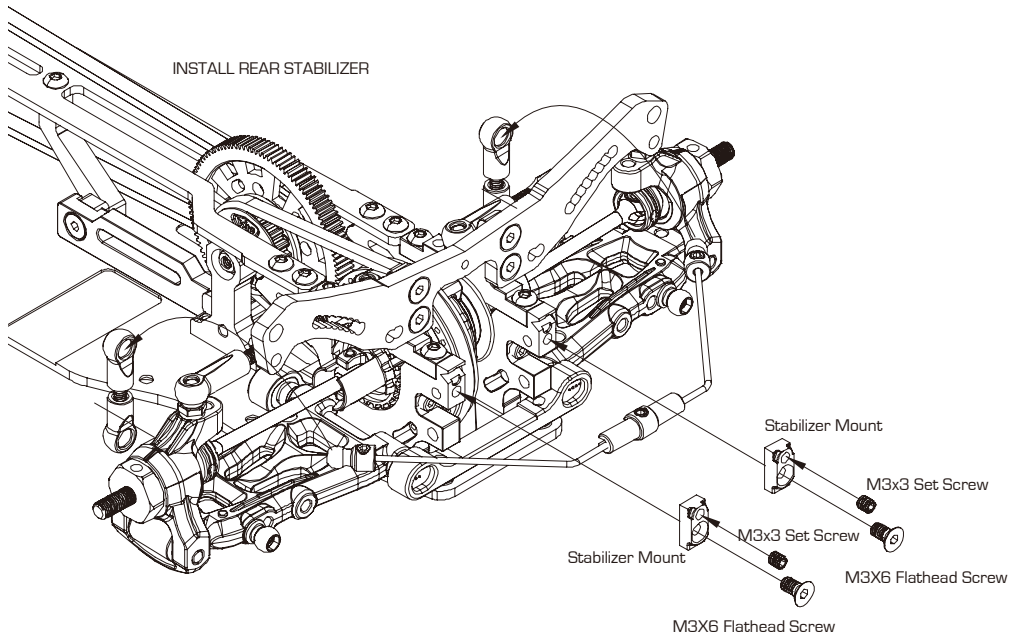


M3X6 Flathead Screw C-02-SC-F0306 x 4

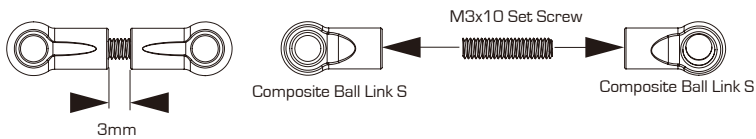
INSTALL FRONT STABILIZER



INSTALL REAR STABILIZER

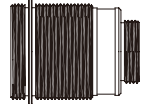


MAKE TWO



24

Assemble Oil Shocks Part 2



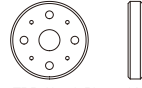
TBBS-P Shock Body(Black) 31470 x 4



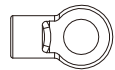
TBBS Shock Height Adjuster(Black) 31636 x 4



TBBS Bottom Cap(Black) 31637 x 4



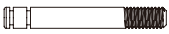
TBBS Shock Piston (4 holes) A-03-VBC-0138 x 4



TBBS Shock Bottom Connector: A-03-VBC-0124 x 4



TBBS Shaft Cap B-03-VBC-0125 x 4



TBBS Shock Shaft C-02-G30957 x 4



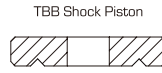
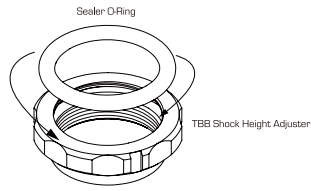
Sealer O-Ring (Shock Height Adjuster) B-03-VBC-0128 x 4



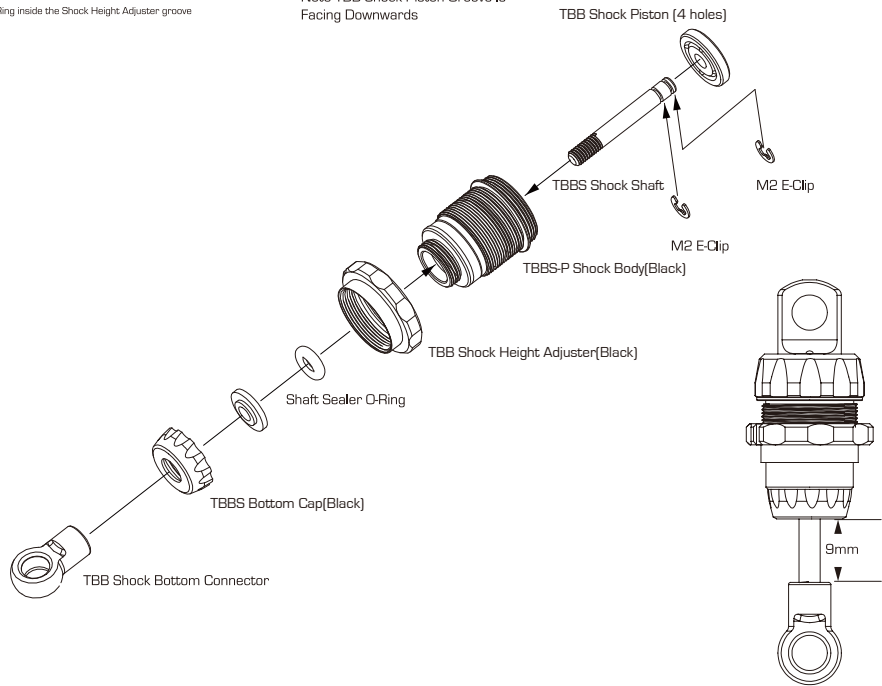
Shaft Sealer O-Ring B-03-VBC-0012 x 4



M2 E-Clip B-02-VBC-0129 x 8

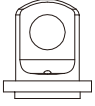


Note TBBS Shock Piston Groove Is Facing Downwards

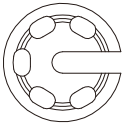


25

Assemble Oil Shocks Part 2



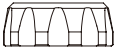
TBB Shock Top Connector A-03-VBC-0130 x 4



TBB Spring Bottom Support A-03-VBC-0131 x 4

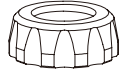


TBB Oil Sealer Cap (Medium Soft) B-03-VBC-0132 x 4

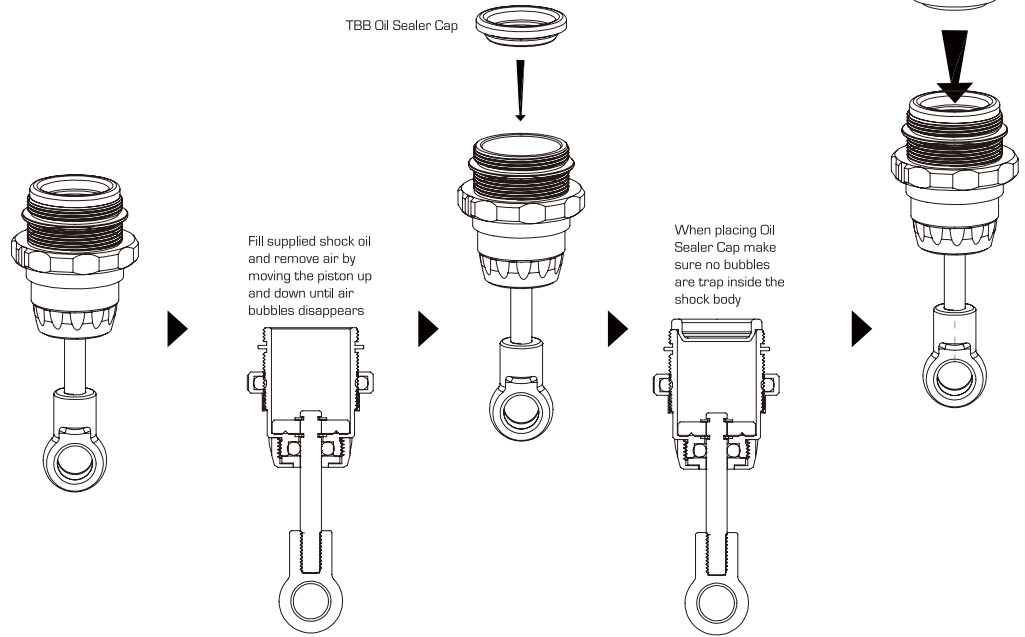
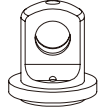


TBB Shock Body Cap(Black) 31638 x 4

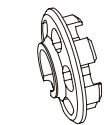
TBB Shock Body Cap(Black)



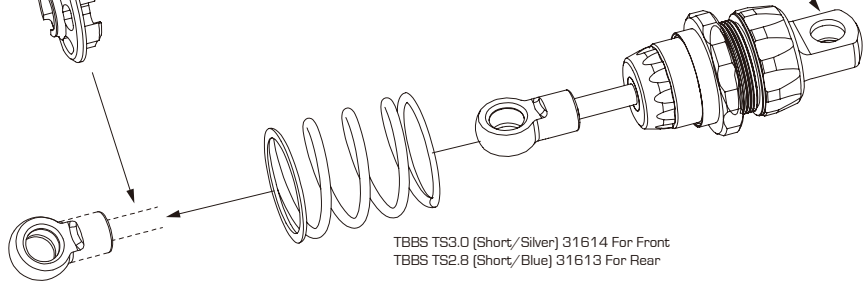
TBB Shock Top Connector



TBB Spring Bottom Support



Note the double ring face to ball connector



26

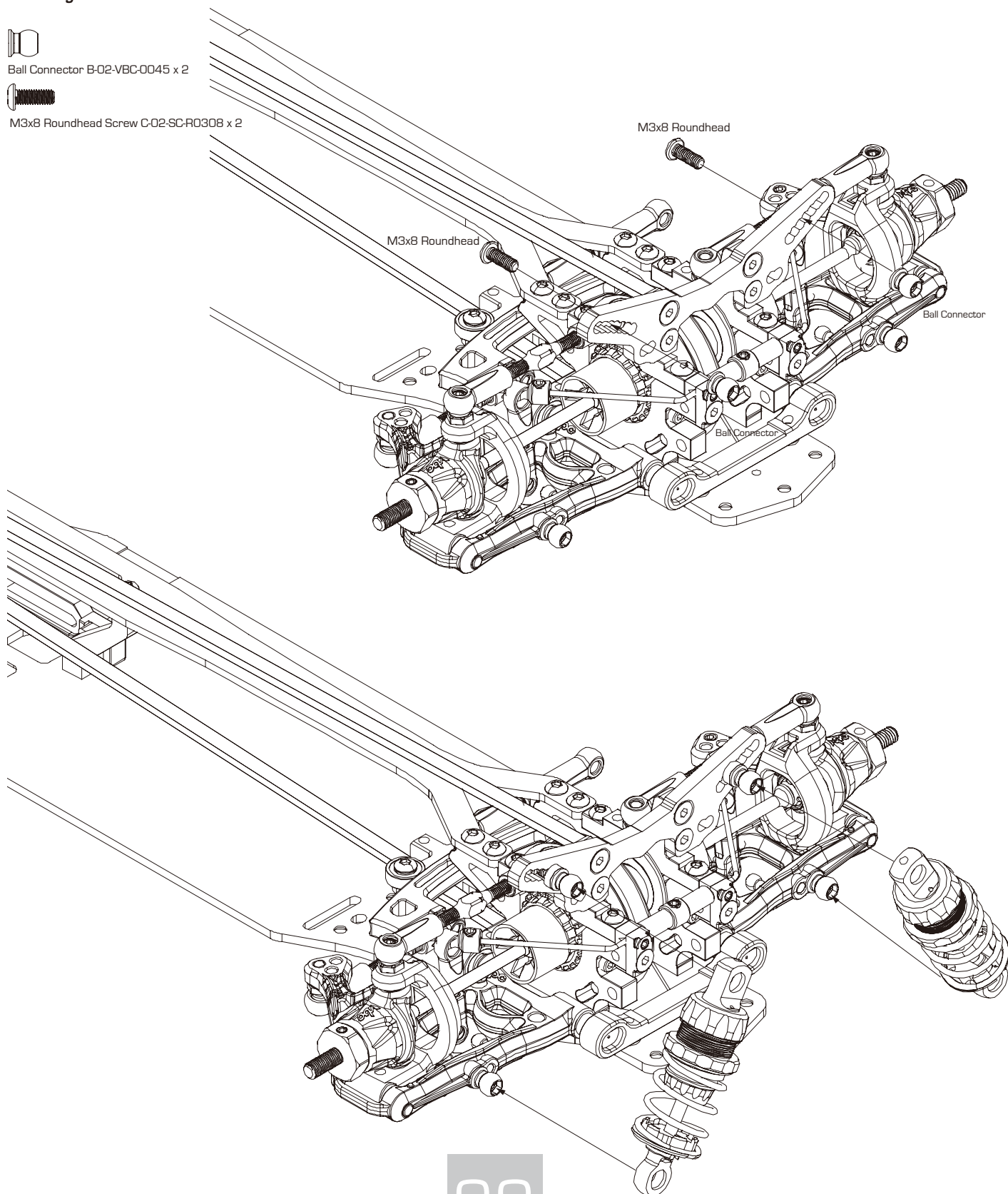
Installing Front Shocks



Ball Connector B-02-VBC-0045 x 2



M3x8 Roundhead Screw C-02-SC-R0308 x 2



27

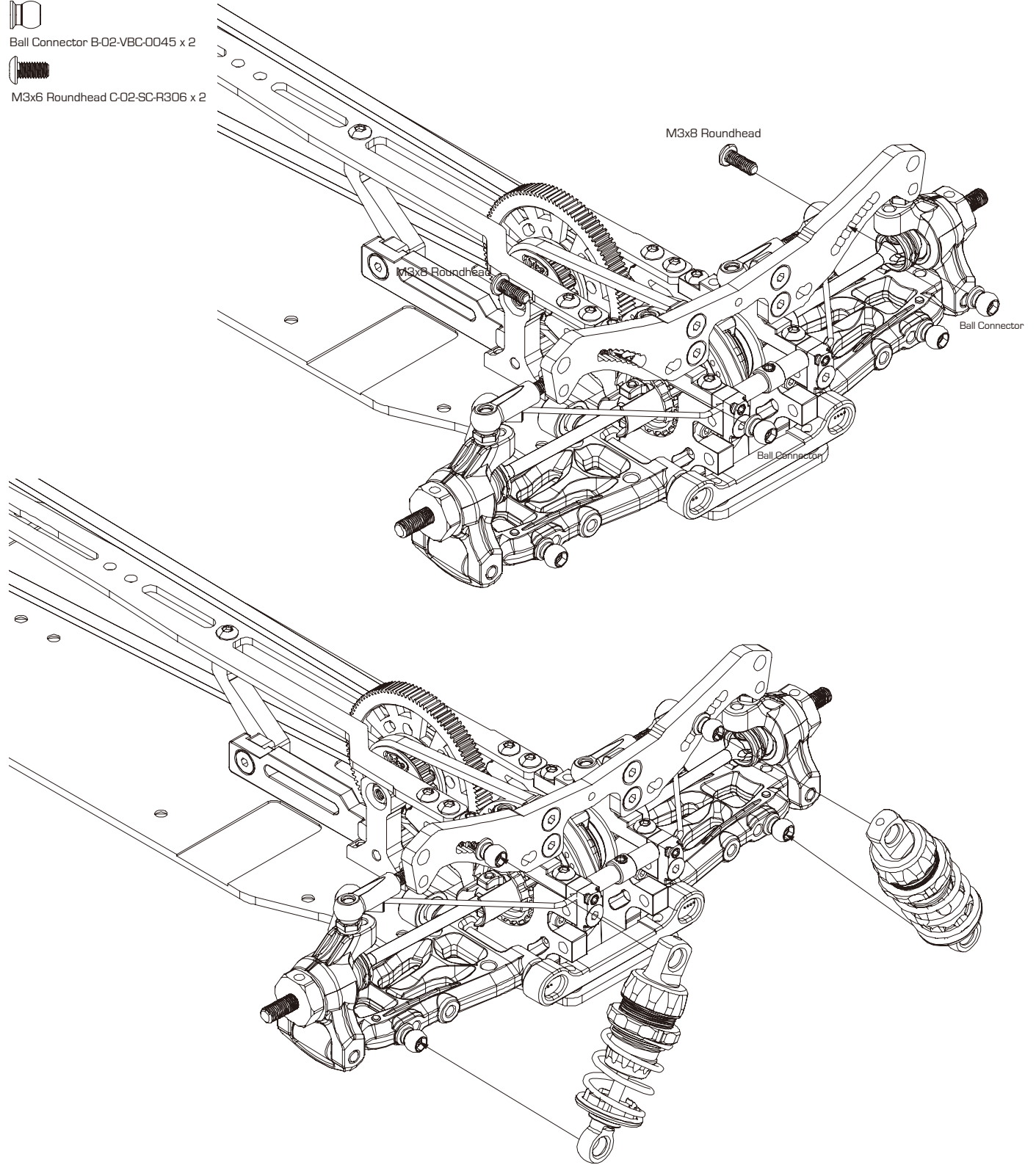
Installing Rear Shocks



Ball Connector B-02-VBC-0045 x 2



M3x6 Roundhead C-02-SC-R306 x 2

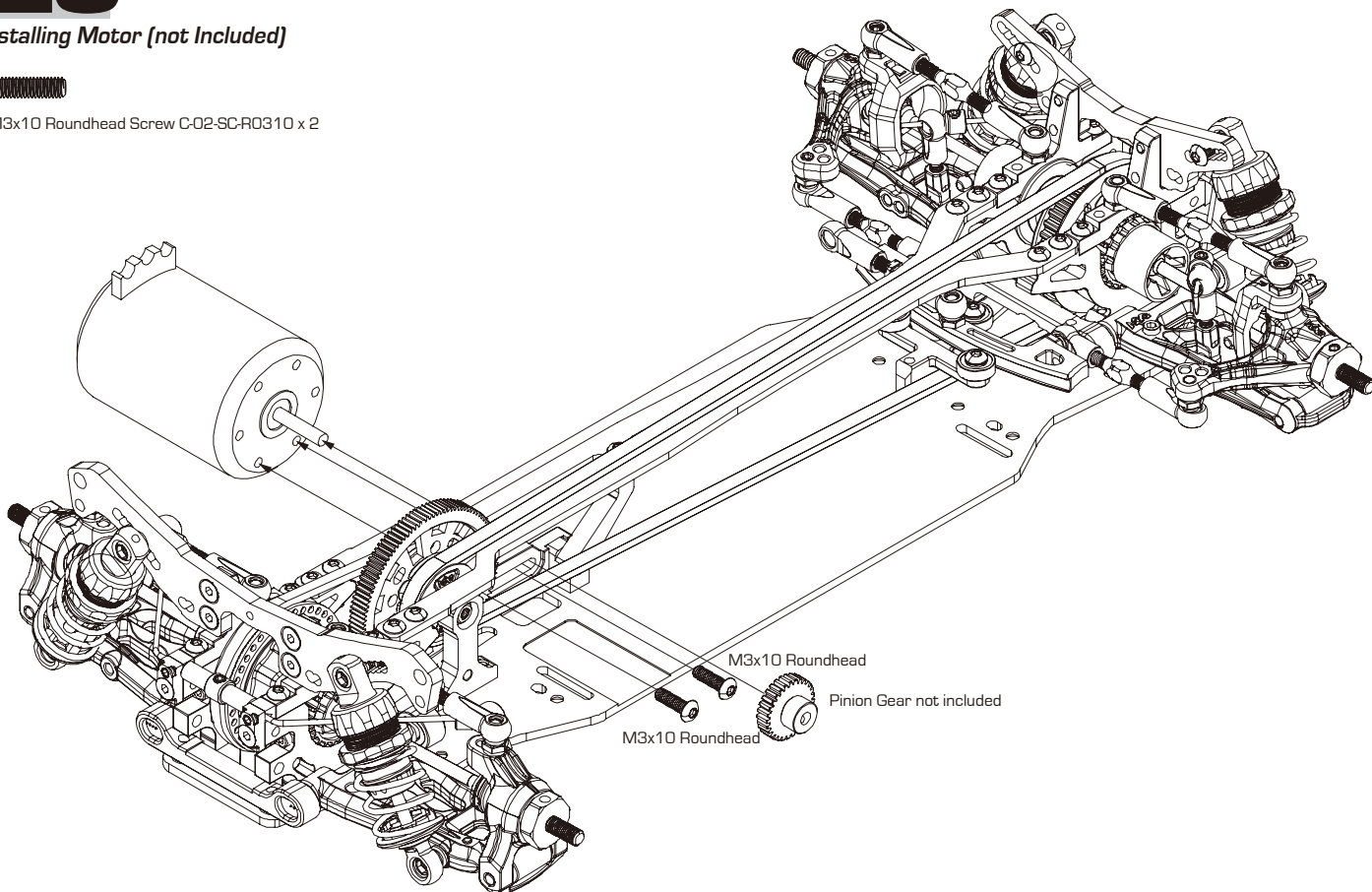


28

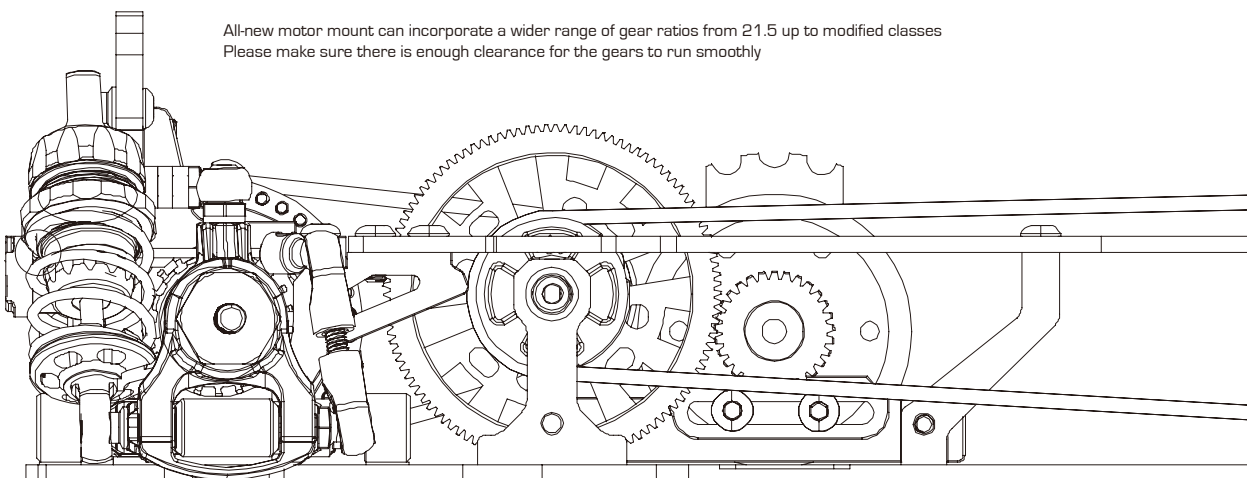
Installing Motor (not Included)



M3x10 Roundhead Screw C-02-SC-R0310 x 2



All-new motor mount can incorporate a wider range of gear ratios from 21.5 up to modified classes
Please make sure there is enough clearance for the gears to run smoothly



29

Servo Mount Assembly



ALU7075 Servo Mount B-02-P41690 x 1



M3X6 flat head screw C-02-SC-F0306 x 3



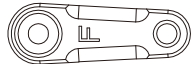
M3x8 Roundhead C-02-SC-R0308 x 4



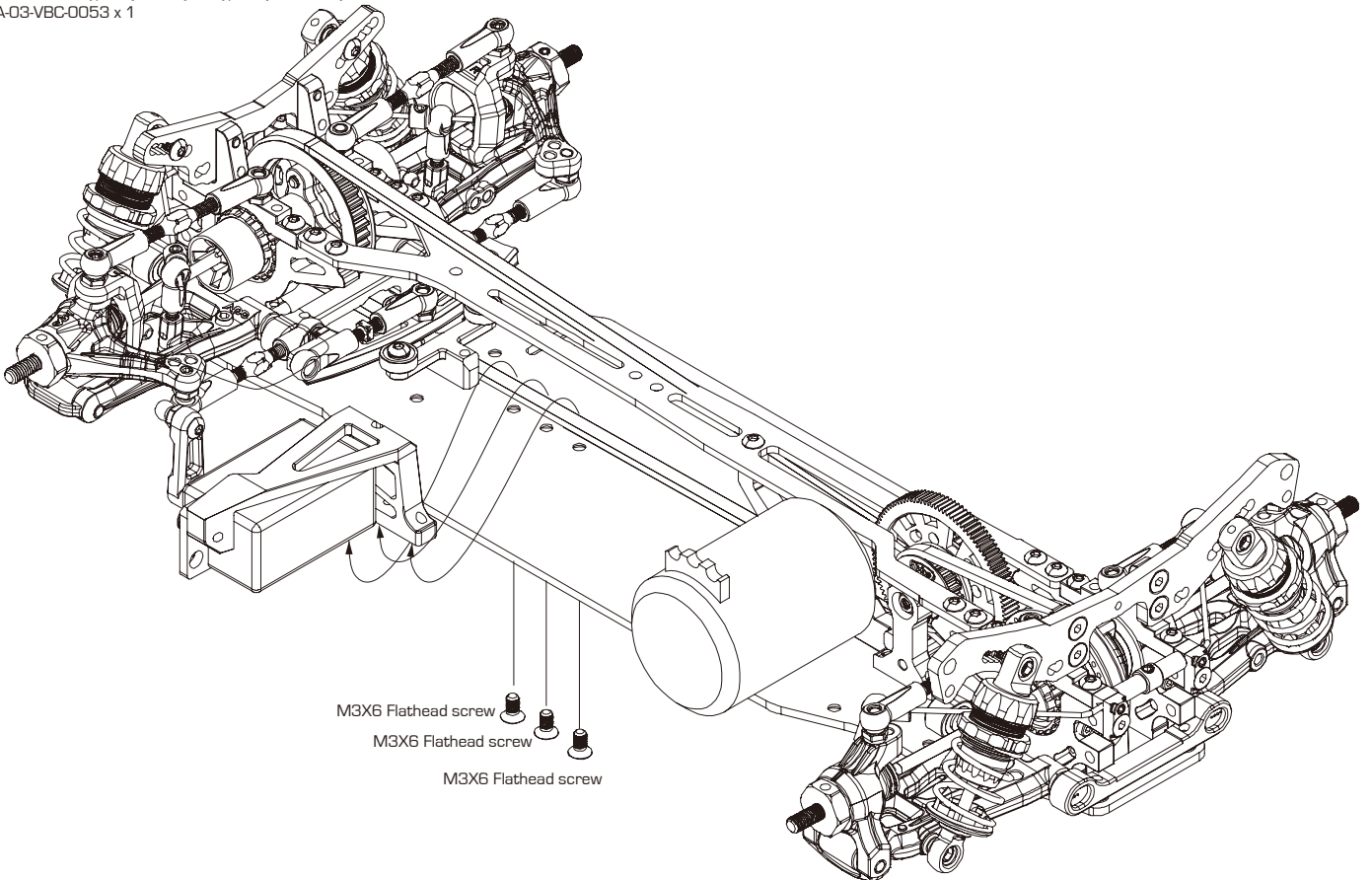
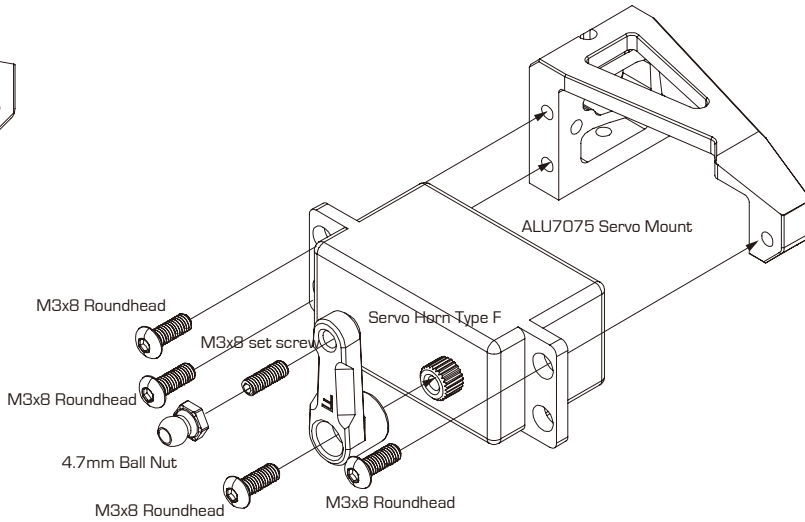
M3x8 set screw C-02-SC-SS-0308 x 1



4.7mm Ball Nut B-02-VBC-5020 x 1



Servo Horn Type F (Futaba) or Type A (Airtronics)
A-03-VBC-0053 x 1



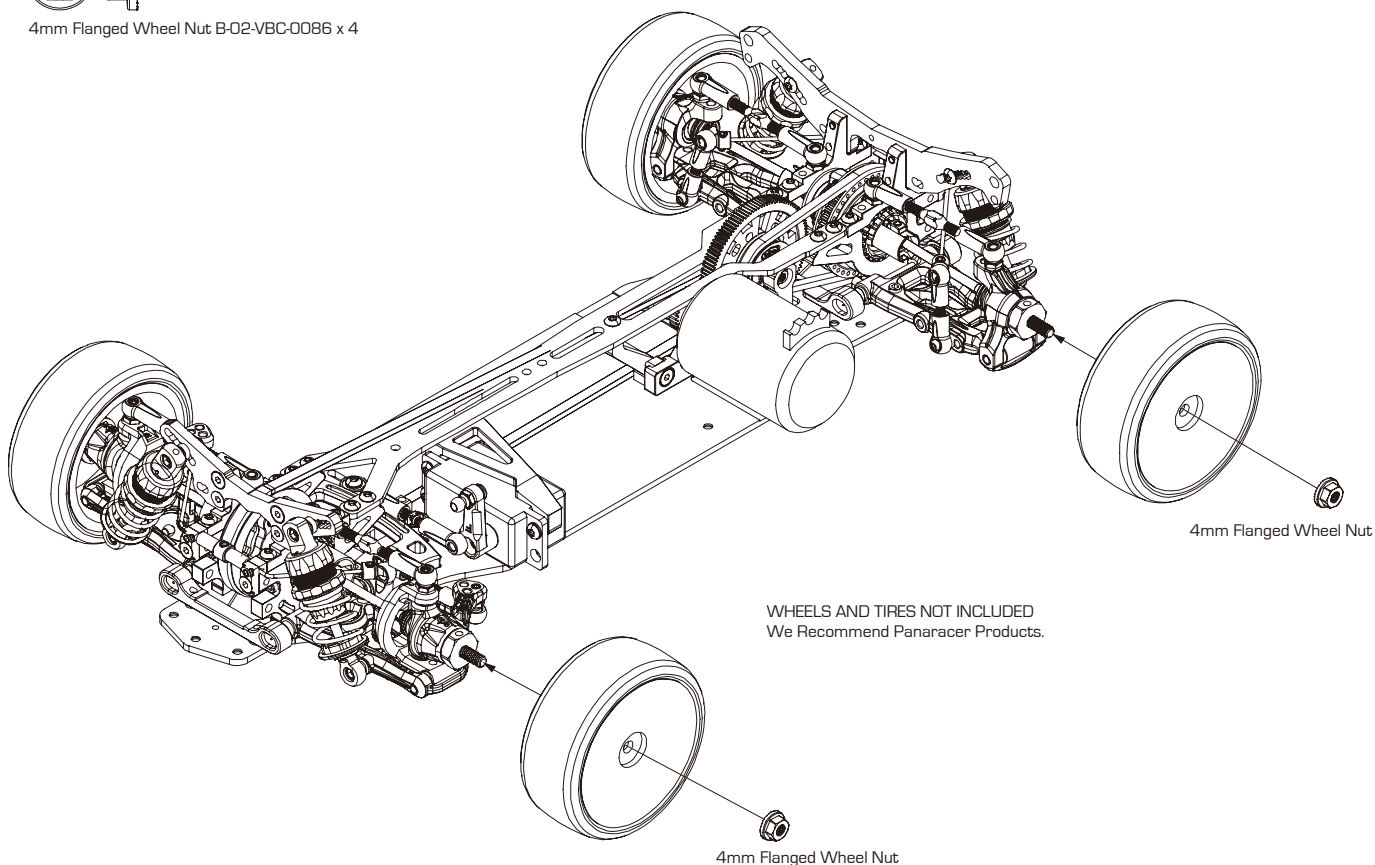
M3X6 Flathead screw
M3X6 Flathead screw
M3X6 Flathead screw

30

Install Front Bumper and Body Posts



4mm Flanged Wheel Nut B-02-VBC-0086 x 4



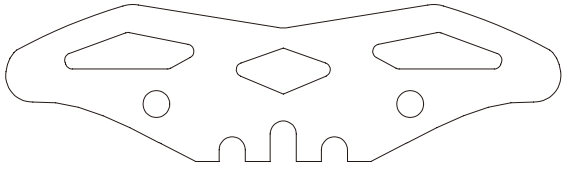
4mm Flanged Wheel Nut

WHEELS AND TIRES NOT INCLUDED
We Recommend Panaracer Products.

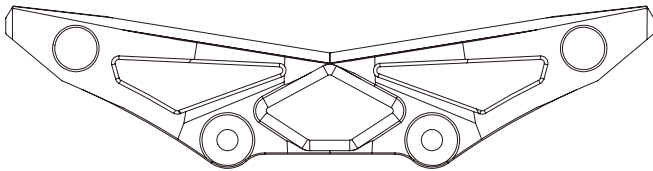
4mm Flanged Wheel Nut

31

Install Front Bumper Part 2



Front Foam Bumper A-03-P41692 x 1



Bumper Top Plate A-03-P41691 x 1



M3x10 Roundhead C-02-SC-R0310 x 2



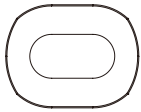
M2x12 Pin B-02-VBC-0020 x 2



M3x10 Flat Head Screw C-02-SC-FC0310 x 2



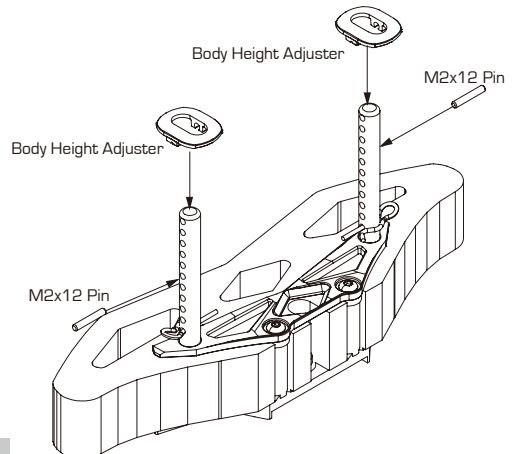
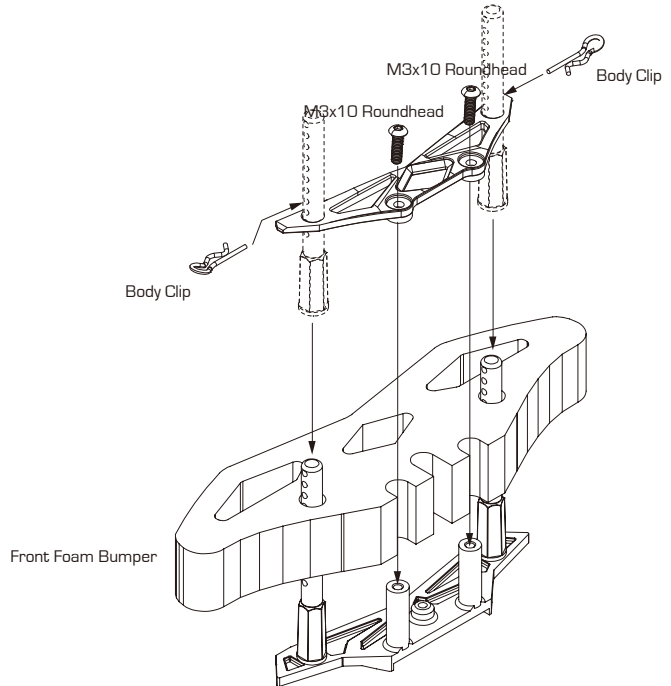
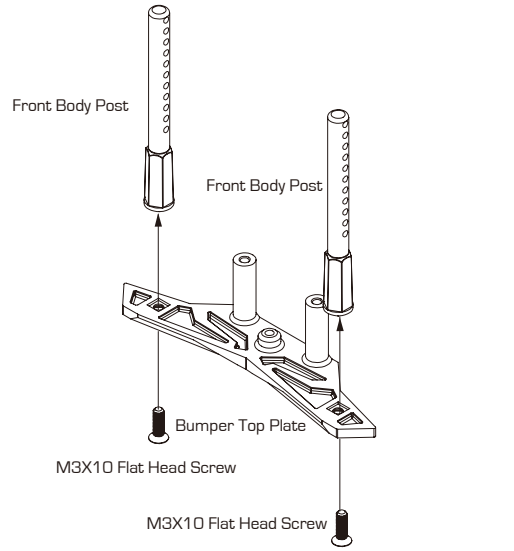
Body Clip B-02-VBC-0076 x 2



Body Height Adjuster A-03-P41695 x 2



Front Body Post A-03-P41693 x 2



32

Install Rear Body Posts and Electronics



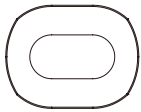
M3x10 Roundhead Screw C-02-SC-R0310 x 2



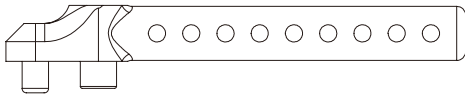
M2x12 Pin B-02-VBC-0020 x 2



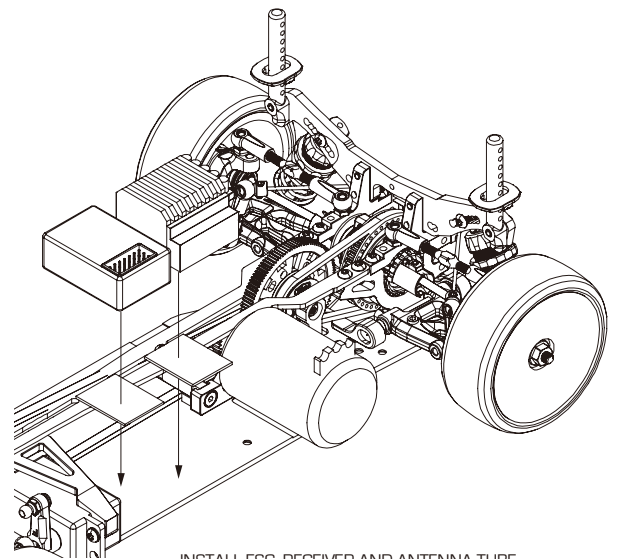
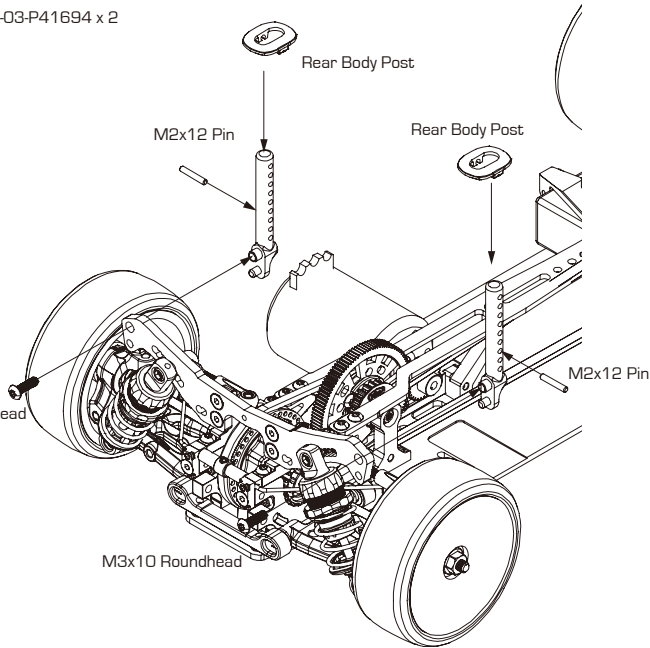
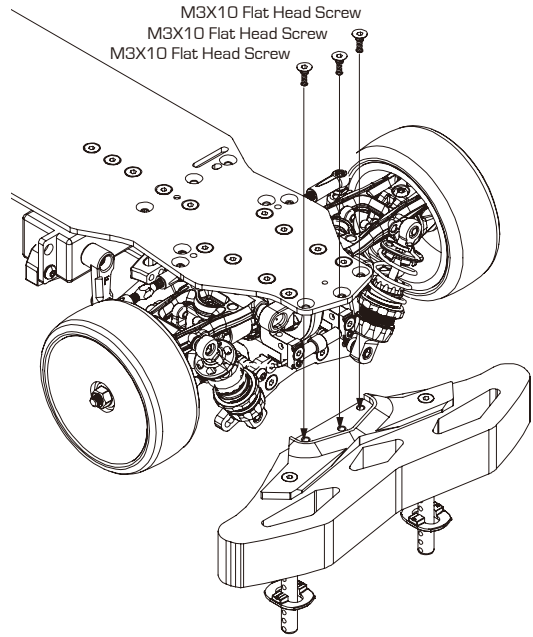
M3x10 Flat Head Screw C-02-SC-FC0310 x 3



Body Height Adjuster A-03-P41695 x 2



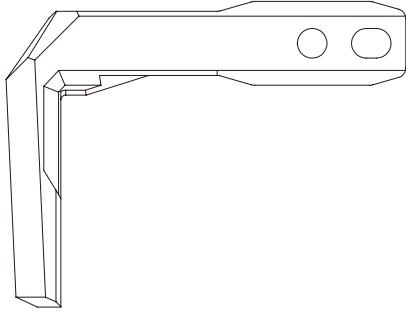
Rear Body Post A-03-P41694 x 2



INSTALL ESC, RECEIVER AND ANTENNA TUBE
(these items are not included in this kit)

33

Install Battery Guards



Battery Mount A-03-P41697 x 2



T2 7075 Spacer B-02-P30890 x 4



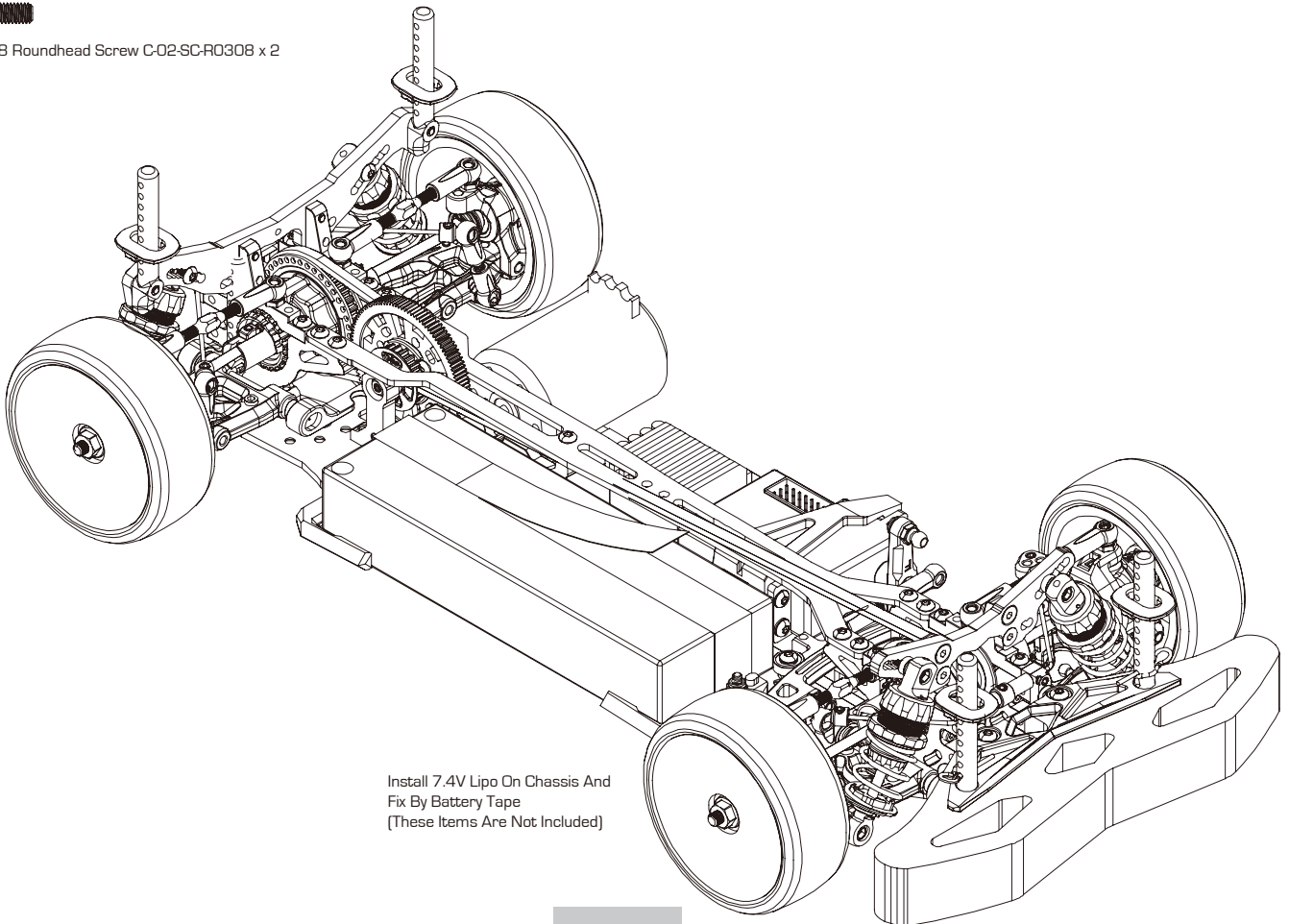
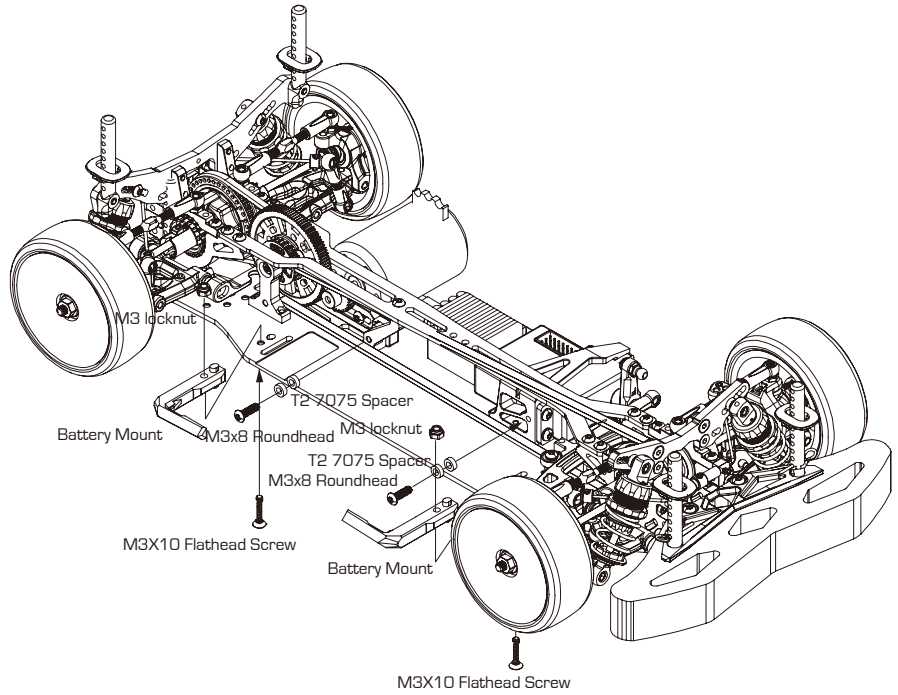
M3 locknut C-02-SC-NN03 x 2



M3X10 Flat Head Screw C-02-SC-FC0310 x 2



M3x8 Roundhead Screw C-02-SC-R0308 x 2



Install 7.4V Lipo On Chassis And
Fix By Battery Tape
(These Items Are Not Included)



1/10 SCALE ELECTRIC COMPETITION 4WD TOURING CAR KIT



VBC Racing Ghost18 Car Kit D-05-VBC-CK33 1.0

COMPETITION GRADE HIGH PERFORMANCE RADIO CONTROL RACING CAR CHASSIS KIT