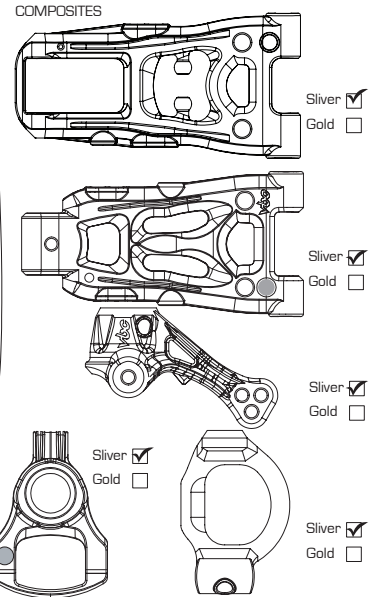
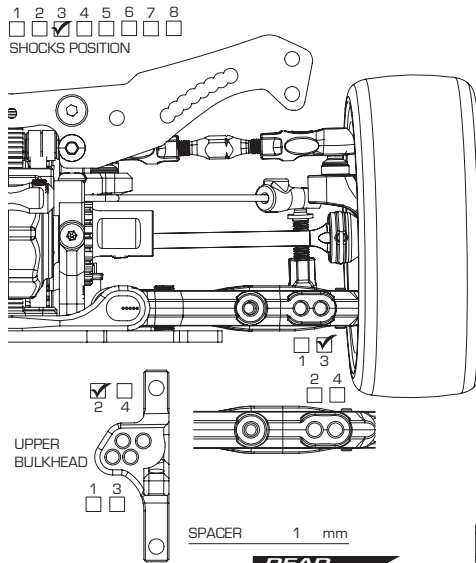
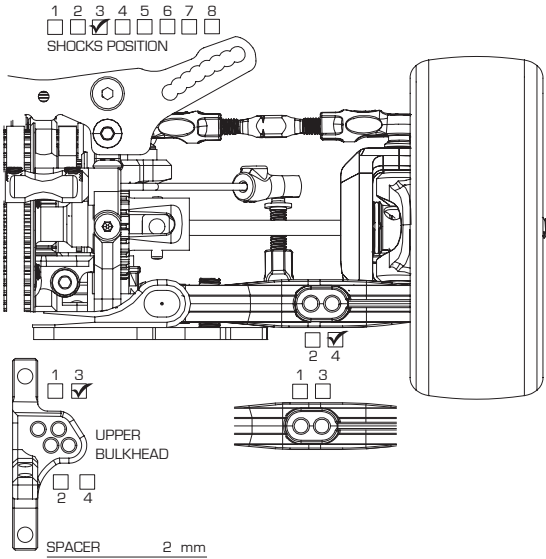


WILDFIRE DOB

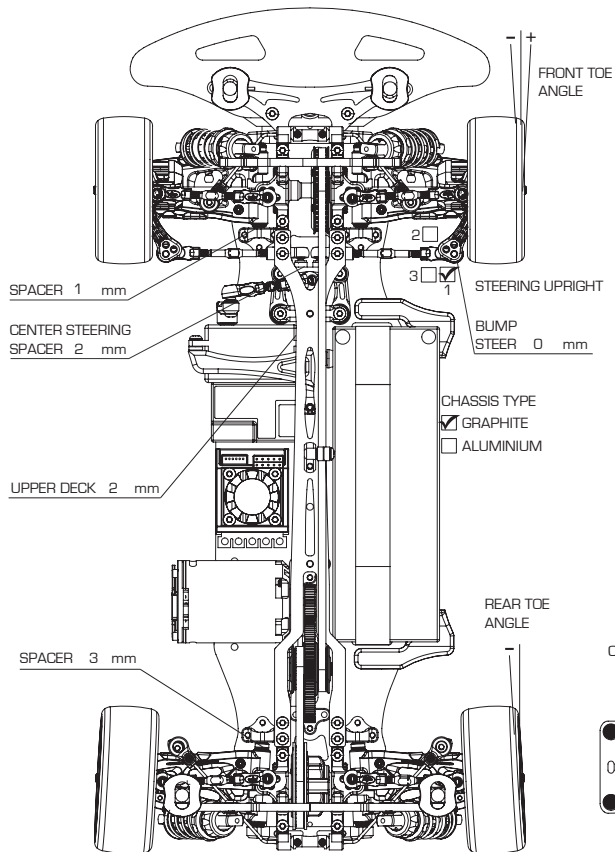
1/10 4WD ELECTRIC COMPETITION TOURING CAR KIT

SETUP SHEET



FRONT			
GROUND CLEARANCE	5.0	mm	DROOP 5.5
CAMBER ANGLE	1.5		TOE ANGLE 1
CASTER BLOCK	4		FRONT DRIVE DIFF (OIL) / DIRECT
STABILIZER	1.2	<input checked="" type="checkbox"/> 1.4	WHEEL SPACER 0 mm
SUSPENSION SHIM (FF)	0	mm	SUSPENSION SHIM (FR) 0 mm
AXLE TYPE / SIZE	TWO-PIECE JOINT / SINGLE JOINT (STEEL/ALUM)		
SUSPENSION MOUNT (FF)	1		SUSPENSION MOUNT (FR) 1

REAR			
GROUND CLEARANCE	5.2	mm	DROOP 1.0
CAMBER ANGLE	2.0		TOE ANGLE 3
REAR DRIVE	DIFF (OIL 1000)		DRIVE CUP ALUMINUM / STEEL
STABILIZER	1.2	<input checked="" type="checkbox"/> 1.4	WHEEL SPACER 0 mm
SUSPENSION SHIM (RF)	0	mm	SUSPENSION SHIM (RR) 0 mm
AXLE TYPE / SIZE	TWO-PIECE JOINT / SINGLE JOINT (STEEL/ALUMINUM)		
SUSPENSION MOUNT (RF)	1		SUSPENSION MOUNT (RR) 5



FRONT	
SHOCK LENGTH	50.5 mm
PISTON	<input checked="" type="checkbox"/> 4 hole(s) / OTHERS
OIL	350
SPRING	Orange
OIL SEALER CAP	S / MS / <input checked="" type="checkbox"/> / H
REBOUND	10 %
NOTES	
MOTOR	SPUR PITCH/ T
TIRE	TIRE INSERT WHEEL
TIRE ADDICTIVE	BODY REAR WING
ESC	BATTERY
REMARKS	

REAR	
SHOCK LENGTH	50.5 mm
PISTON	<input checked="" type="checkbox"/> 4 hole(s) / OTHERS
OIL	350
SPRING	Red
OIL SEALER CAP	S / MS / <input checked="" type="checkbox"/> / H
REBOUND	10 %
NOTES	
MOTOR	SPUR PITCH/ T
TIRE	TIRE INSERT WHEEL
TIRE ADDICTIVE	BODY REAR WING
ESC	BATTERY
REMARKS	

Chassis Flex Settin (Fill in the Circle)

