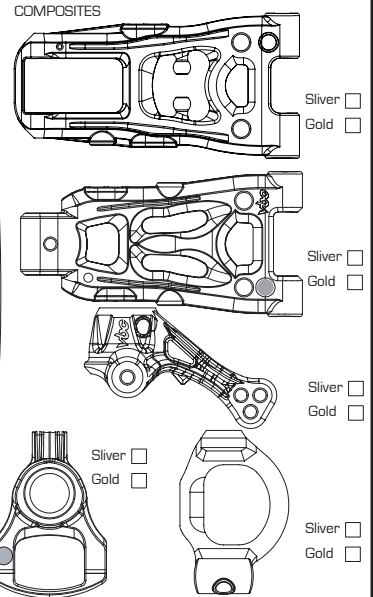
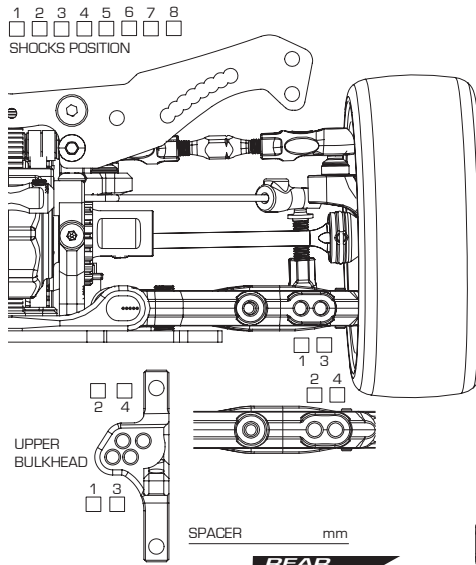
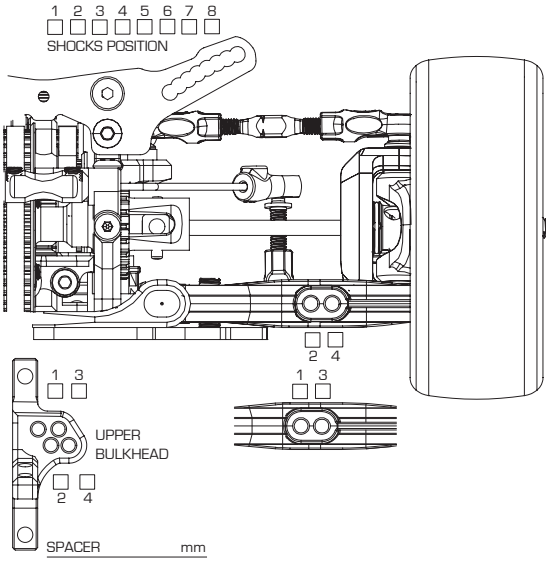


WILDFIRE DOB

1/10 4WD ELECTRIC COMPETITION TOURING CAR KIT

SETUP SHEET



FRONT

REAR

GROUND CLEARANCE _____ mm DROOP _____

CAMBER ANGLE _____ TOE ANGLE _____

CASTER BLOCK _____ FRONT DRIVE DIFF (OIL _____) / DIRECT _____

STABILIZER 1.2 1.3 1.4 WHEEL SPACER _____ mm

SUSPENSION SHIM (FF) _____ mm SUSPENSION SHIM (FR) _____ mm

AXLE TYPE / SIZE TWO-PIECE JOINT / SINGLE JOINT (STEEL/ALUM) _____ mm

SUSPENSION MOUNT (FF) _____ SUSPENSION MOUNT (FR) _____

GROUND CLEARANCE _____ mm DROOP _____

CAMBER ANGLE _____ TOE ANGLE _____

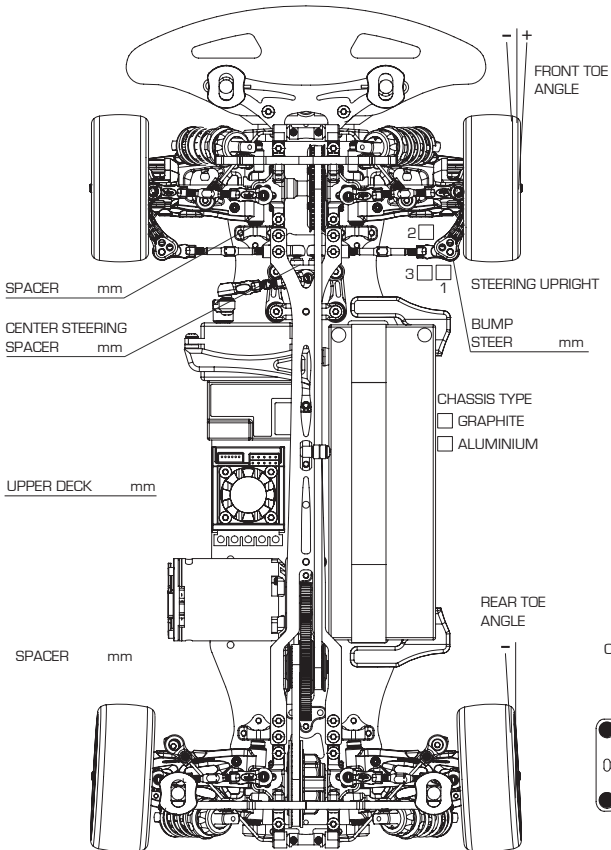
REAR DRIVE DIFF (OIL _____) DRIVE CUP _____ ALUMINIUM / STEEL _____

STABILIZER 1.2 1.3 1.4 WHEEL SPACER _____ mm

SUSPENSION SHIM (RF) _____ mm SUSPENSION SHIM (RR) _____ mm

AXLE TYPE / SIZE TWO-PIECE JOINT / SINGLE JOINT (STEEL/ALUMINIUM) _____ mm

SUSPENSION MOUNT (RF) _____ SUSPENSION MOUNT (RR) _____



FRONT

REAR

SHOCK LENGTH _____ mm

PISTON 3 4 hole(s) / OTHERS _____

OIL _____

SPRING _____

OIL SEALER CAP S / MS / M / H _____

REBOUND _____ %

NOTES _____

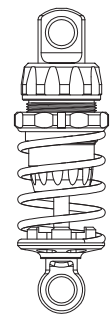
MOTOR _____ SPUR _____ PITCH/ _____ T _____ PINION _____ PITCH/ _____ T _____

TIRE _____ TIRE INSERT _____ WHEEL _____

TIRE ADDICTIVE _____ BODY _____ REAR WING _____

ESC _____ BATTERY _____

REMARKS _____



Chassis Flex Settin (Fill in the Circle)

