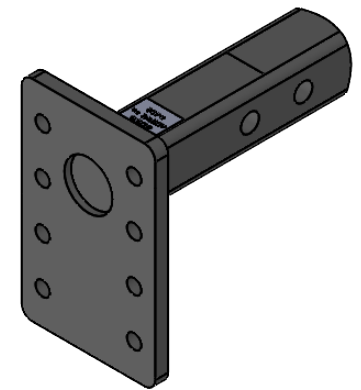
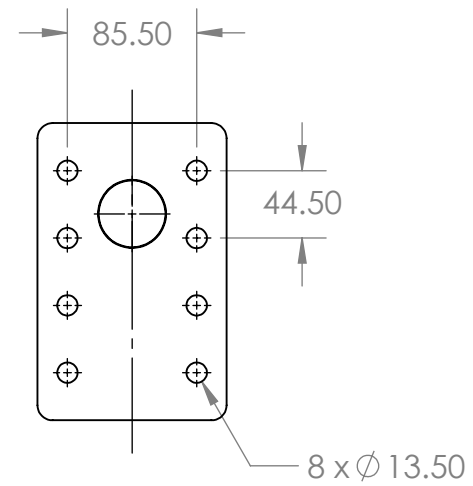
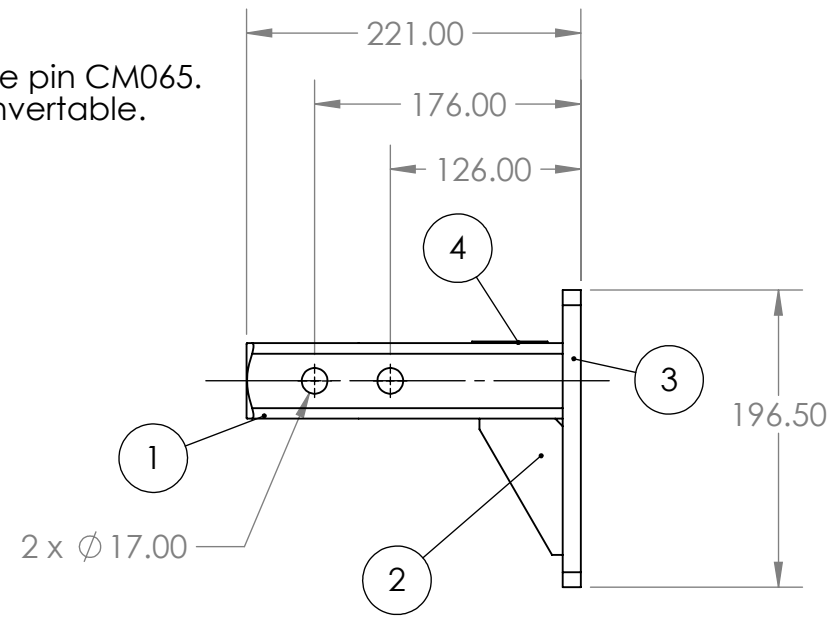
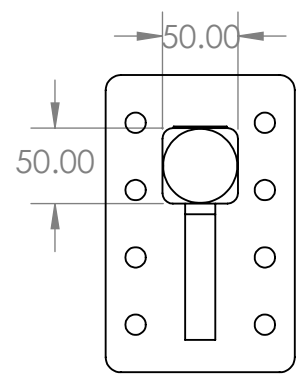


ITEM NO.	PART NUMBER	DESCRIPTION	QTY.
1	CM510-BAR	50 x 50 SOLID 1045	1
2	CM510-GUSSET	20MM 250G	1
3	CM510-PLATE	12MM 250G	1
4	CM510-LABEL	ALUMINIUM	1



Notes:
 CM510.
 ATM: 6000kG.
 Statically Tested to ADR 62/02.
 Recommended to use high tensile pin CM065.
 6 pintle hook mounting heights, invertable.



TOLERANCES UNLESS OTHERWISE SPECIFIED			
LINEAR (MM)		ANGULAR (DEG)	
0.5 - 3	± 0.2	0 - 10	± 1.5°
3 - 6	± 0.3	10 - 50	± 1°
6 - 30	± 0.5	50 - 120	± 0.5°
30 - 120	± 0.8	120 - 400	± 0.25°
120 - 400	± 1.2	400 +	± 0.16°
400 - 1000	± 2		
1000 - 2000	± 3		
2000 - 4000	± 4		

UNLESS OTHERWISE SPECIFIED: DIMENSIONS ARE IN MILLIMETERS		DRAWING NUMBER: INT_EDCM510SALES_01		DEBURR AND BREAK SHARP EDGES	DO NOT SCALE DRAWING	REVISION: 1	
NAME	SIGNATURE	DATE			TITLE: CM510 SALES		
DRAWN: RIELLY BROOK		10/07/23			COUPLMATE TRAILER PARTS		TEL: 07 3348 3822
CHK'D					136 GLENORA STREET		FAX: 07 3348 2939
APPV'D					WYNUMM QLD 4178		EMAIL: rielly@couplmate.com.au
MFG							A4
Q.A			WEIGHT:	SCALE: 1:5	SHEET 1 OF 1		