



Advante HEALTH

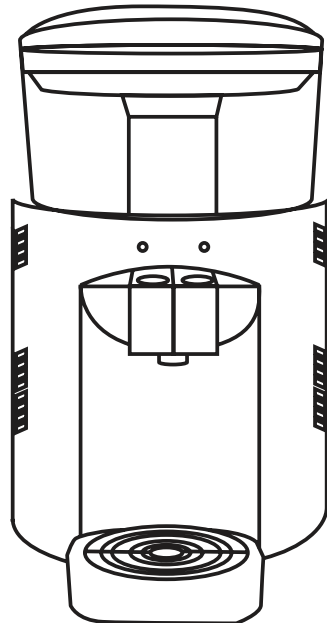
A Part of Your Lifestyle

# H<sub>2</sub>O

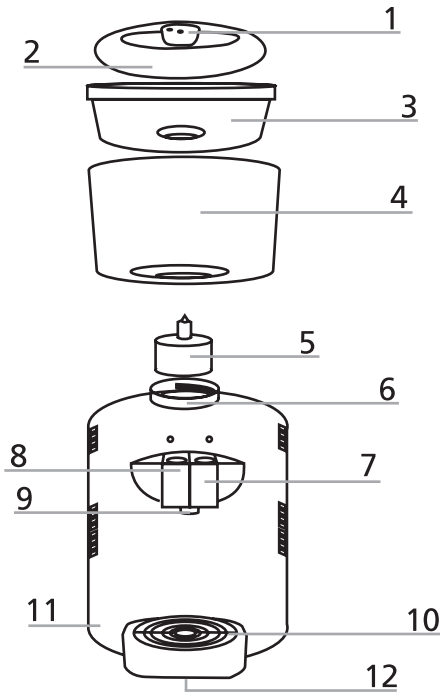
## Easy

Water Filtration System

USER MANUAL



## PRODUCT DESCRIPTION



1. Bi-monthly Dial
2. Cover
3. Inner Container
4. Outer Container
5. Float Valve
6. Float Retainer
7. Warm Water Tap
8. Hot or Cold Water Tap
9. Water Spout
10. Water Drip Tray
11. Heater or Chiller Switch  
(At the back)
12. Water Drainage  
(At the bottom)

## GETTING STARTED

1. Wash your hands before removing the filter from the packaging.
2. Soak the filter in cold water for about 10 minutes. Make sure the filter is totally submerged completely. Do not wash filter with soap.
3. Hand wash the inner and outer container with water. Rinse well.
4. Hold filter under cold running water for approximately for 15 seconds.
5. Insert the filter into the inner container and press firmly on the filter to ensure a tight seal.
6. Fill container with water. Discard the first two rounds of filtered water. Refill again and enjoy a refreshing cup of energy water.

**NOTE:** It is important to change the filter before it is exhausted. Each filter is certified for 150 litres of use, or 2months, whichever comes first. Set the Bi-monthly calendar on the cover to remind yourself of the next change.

## OPERATING INSTRUCTIONS

1. Place the assembled water filtration container with filter vertically on top of the water container holder of the water dispenser.
2. Fill in clean and drinkable tap water into the water container with filter until it is full.
3. Allow 5-10 minutes for the water to filtered and flow into the HOT or COLD tank. Make sure that water flows out from the 2 taps when pressed, before proceeding to the next step.
4. Turn on the main power switch, then the "Heater" or "Chiller" switch at the back.
5. Power indicating LED light will remain lit all the time. "Heater" or "Chiller" indicating LED will turn on when heating or chilling.

## TIPS & PRECAUTIONS

1. Never turn on the "Heater" or "Chiller switch until there is water flowing out from the Hot or Cold water spout.
2. Do not use water that is microbiologically unsafe or of unknown quality with out adequate disinfection before or after the system.
3. Always refill with cold water for filtration or when cleaning the unit. This unit is not dishwasher safe.
4. Keep filter soaked under water by constantly refilling. If the filter dries out for too long, you may need to re-soak it before the next use, or change a new filter.
5. Water that is unused for more than 7 days is best to be discarded - even filtered water that has been previously heated or refrigerated.
6. Take note of the **-MAX-** water line when refilling. Over filling will result o.
7. **Do not lift up the water container from the dispenser when filled with water to prevent overflow.**
8. Clean all parts of the water container and the dispenser regularly, except the filter, including draining out the water within the dispenser by releasing the Water Drainage stopper at the bottom of the dispenser.

## TROUBLE SHOOTING

| PROBLEM                  | POSSIBLE CAUSES  | SOLUTIONS  |
|--------------------------|--|--|
| Water is not Hot or Cold | <ul style="list-style-type: none"> <li>• Run out of hot / cold water.</li> <li>• Power supply is not turned on.</li> <li>• The switch at the rear is not turned on.</li> </ul> | <ul style="list-style-type: none"> <li>• Wait for indicating LED to go off.</li> <li>• Check power point to make sure it is turned on.</li> <li>• Turn on switch at the rear.</li> </ul> |
| No water from spout      | <ul style="list-style-type: none"> <li>• Water container is empty.</li> <li>• Floating valve is jammed or faulty.</li> </ul>   | <ul style="list-style-type: none"> <li>• Refill with tap / drinkable water.</li> <li>• Remove water container and clean floating valve.</li> </ul>                                       |
| Water leakage            | <ul style="list-style-type: none"> <li>• Water container may be cracked or broken.</li> <li>• Jammed floating valve.</li> <li>• Water filled over the -MAX- line.</li> </ul>   | <ul style="list-style-type: none"> <li>• Purchase a new water container to replace.</li> <li>• Remove water container and clean floating valve.</li> <li>• Do not over-fill.</li> </ul>  |



® Water Dispenser  
**Model: H2O Easy**  
 Serial No: ADV-HEZ

**Voltage: 220 - 240V 50Hz**  
**Heater : 600W**



**CB**

160715-11



® Water Dispenser  
**Model: H2O Easy**  
 Serial No: ADV-HEZ

**Voltage: 220 - 240V 50Hz**  
**Chiller : 75W**

**CB**